

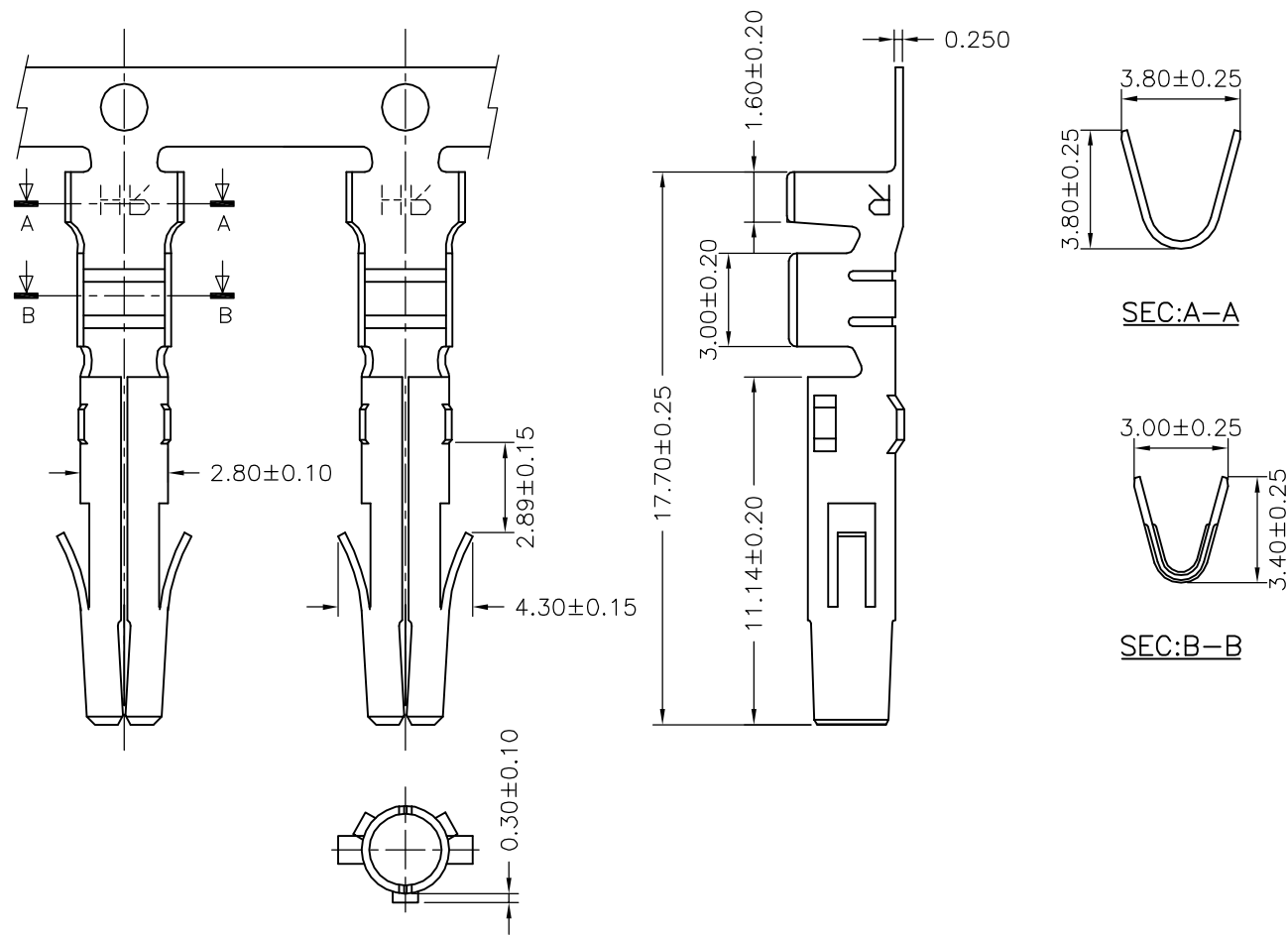


HESTORE.HU

elektronikai alkatrész áruház

EN: This Datasheet is presented by the manufacturer.

Please visit our website for pricing and availability at www.hestore.hu.



Ordering Information & Specifications

Part No	Wire Range	Insulation O.D.	Material	Finish	Qty/reel
C5080F-TB-H	AWG#14-#20	3.30mm(max)	Brass	Tin-plated	7,000pcs
C5080F-TBE-H	AWG#14-#20	3.30mm(max)	Brass	Tin-plated	7,000pcs

Note:E-Stamping before Tin-plated

			JOINT TECH ELECTRONIC IND. CO., LTD. JOY DAY INDUSTRIAL CO., LTD.		
		UNIT	SCALE	SHEET	TITLE:
		mm		1 of 1	
		DRAWN BY	APPROVED BY		
		董正一	董正一		
		2005.06.23	2005.06.23		
		GENERAL TOLERANCE			
B2	REVISION	2007.04.25			
B1	REVISION	2006.01.08	X X±0.25	ANGLE±	
B0	NEW RELEASE	2005.12.12	X XX±0.15		
REV.	DESCRIPTION	DATE	X XXX±0.05		
DRAW NO : C5080F-XX-H					REV. B2
5.08mm PITCH CRIMP TERMINAL-FEMALE					