



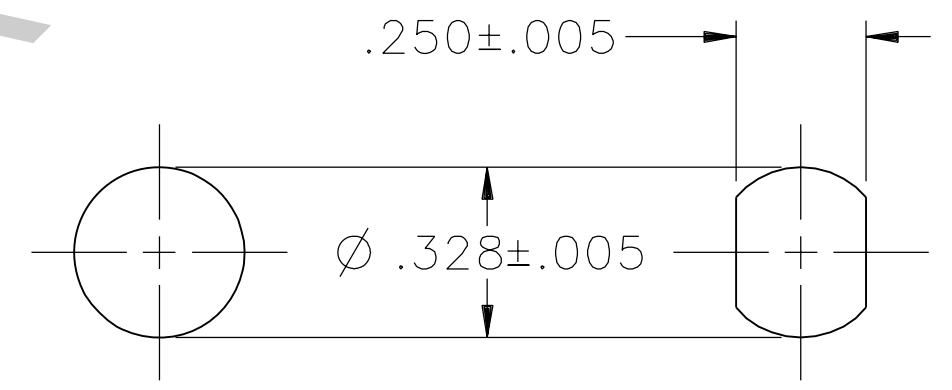
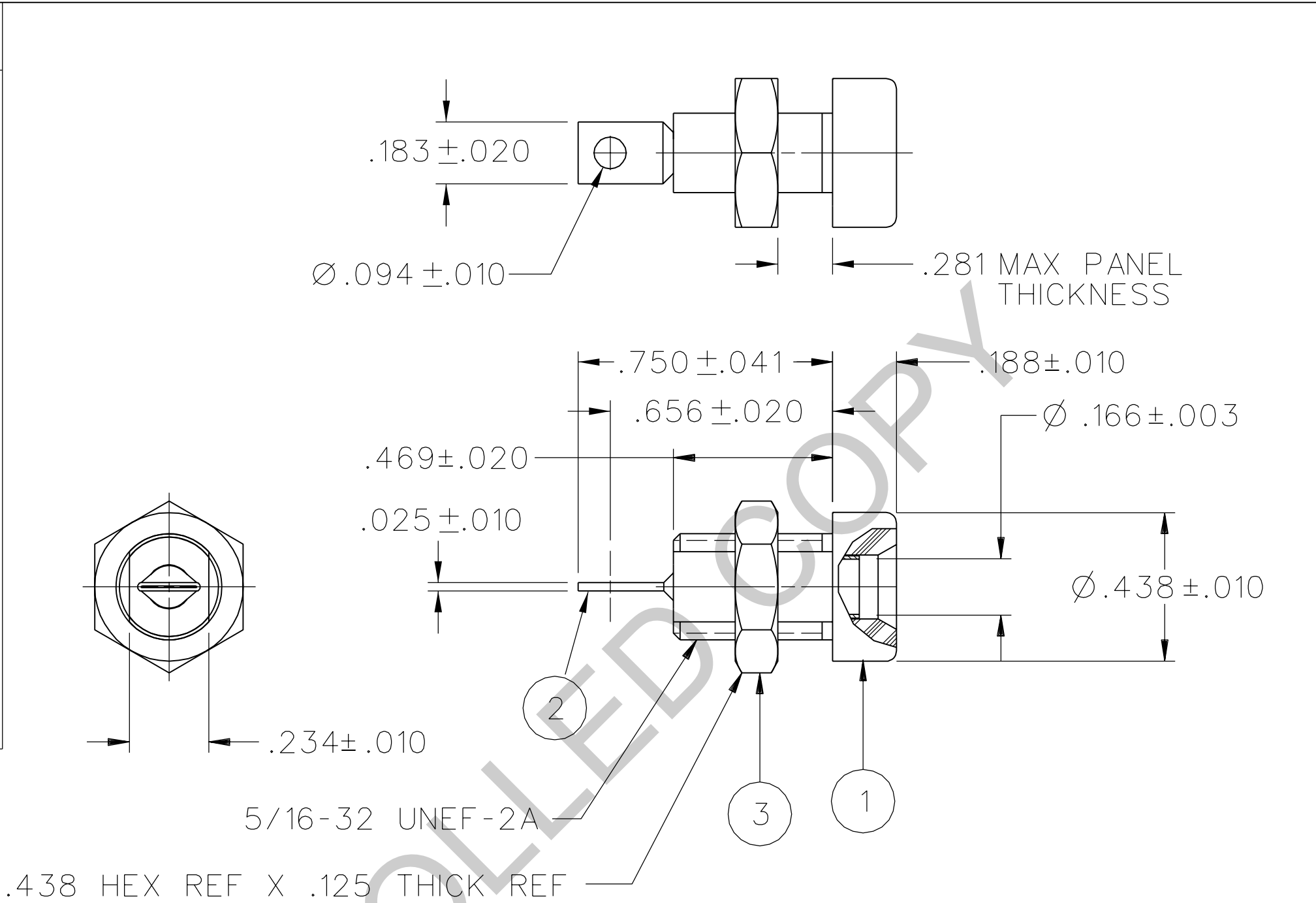
HESTORE.HU

elektronikai alkatrész áruház

EN: This Datasheet is presented by the manufacturer.

Please visit our website for pricing and availability at www.hestore.hu.

PART NUMBER	ITEM ①		ITEM ②	ITEM ③
	BODY	COLOR		
108-0901-001	NYLON	WHITE	BRASS TIN PL .0001 MIN OVER NICKEL PL .00005 MIN	BRASS NICKEL PL .0001 MIN
108-0902-001		RED		
108-0903-001		BLACK		
108-0904-001		GREEN		
108-0905-001				
108-0906-001		ORANGE		
108-0907-001		YELLOW		
108-0908-001		BROWN		
108-0909-001				
108-0910-001		BLUE		
108-0911-001				
108-0912-001		VIOLET		
108-0913-001		GRAY		
108-0914-001				
108-0915-001				
108-0916-001				
108-0917-001				
108-0918-001				
108-0919-001				
108-0920-001				



MOUNTING HOLE OPTIONS

NOTES:
SPECIFICATIONS:
ELECTRICAL:
CURRENT RATING: 15 AMPS DC MINIMUM
DIELECTRIC WITHSTANDING VOLTAGE: 7000 VRMS MINIMUM AT SEA LEVEL
RECOMMENDED WORKING VOLTAGE: 3500 VRMS MAXIMUM AT SEA LEVEL
INSULATION RESISTANCE: 5000 MEGOHMS MINIMUM
CONTACT RESISTANCE: 10 MILLIOHMS MAXIMUM
CAPACITANCE: 2.4 pF NOMINAL
MECHANICAL:
CONTACT RETENTION IN INSULATOR FORCE: 30 LBS MINIMUM
CONTACT RETENTION IN INSULATOR TORQUE: 2 IN OZ MINIMUM
INSULATOR RETENTION IN .062 PANEL FORCE: NOT APPLICABLE
INSULATOR RETENTION IN .062 PANEL TORQUE: NOT APPLICABLE
PLASTIC MOUNTING THREAD STRIPPING TORQUE: 6 IN LB MINIMUM
WIRE ACCEPTABILITY: 12 AWG OR SMALLER
WIRE ATTACHMENT: SOLDER
MATING BANANA PLUG SPRING WIDTH: .175 NOMINAL
DURABILITY: 1000 CYCLES MINIMUM
ENVIRONMENTAL:
(MEETS OR EXCEEDS THE APPLICABLE PARAGRAPH OF MIL-PRF-39024)
OPERATING TEMPERATURE: -55 DEG C TO 85 DEG C
TEMPERATURE RISE AT RATED CURRENT: 10 DEG C MAXIMUM
CORROSION: MIL-STD-1344, METHOD 1001, CONDITION B
SHOCK: MIL-STD-1344, METHOD 2004, CONDITION G
VIBRATION: MIL-STD-1344, METHOD 2005, CONDITION I
HUMIDITY: MIL-STD-1344, METHOD 1002, CONDITION B

DRAWING NO.
B - 108-0901/0920-001
0 REVISIONS
REVISED AND REDRAWN. DRAWING WAS "C" SIZE 108-0901/0920-001/020 DATED 3-30-88. SPLIT INTO 6 SEPERATE DWGS. CREATED SHEET 2.
26a 1-9-03 R H R J B 10-1-03 ECN 48696

CUSTOMER DRAWING

THIS DRAWING TO BE INTERPRETED PER ASME Y 14.5M - 1994

"μSTATION"

COMPANY CONFIDENTIAL

TOLERANCE UNLESS OTHERWISE SPECIFIED		DRAWN BY	DATE
DECIMALS	mm	RJB	12-27-02
.XX	_____	CHECKED BY	DATE
.XXX	_____		
MATL	_____	APPROVED BY	DATE
		RJB	10-1-03
FINISH	_____	RELEASE DATE	10-1-03
		U/M	INCH
		SCALE	2:1

cinch
CONNECTIVITY SOLUTIONS
a bel group

Cinch Connectivity Solutions
P.O. Box 1732
Waseca, MN 56093
1-800-247-8256

TITLE
ASSEMBLY, BANANA JACK,
INSULATED THREADED PANEL
MOUNT, SOLDER TERMINAL

SHEET 2 OF 2
DRAWING NO. B - 108-0901/0920-001