



**HESTORE.HU**

elektronikai alkatrész áruház

**EN:** This Datasheet is presented by the manufacturer.

Please visit our website for pricing and availability at [www.hestore.hu](http://www.hestore.hu).

# Banana Jack - Insulated Solder Terminal



INCHES (MILLIMETERS)  
CUSTOMER DRAWINGS AVAILABLE UPON REQUEST

## SPECIFICATIONS

**Contact:** Formed brass per QQ-B-626D

**Finish:** Bright tin

**Body:** Nylon 6/6 per ASTM D4066

**Hardware:** Nickel plated nut (unassembled)

**Body Thread Stripping Torque:** 6.0 lb. in. (7kg. cm.)

**Panel Thickness:** Up to .343 (8.80)

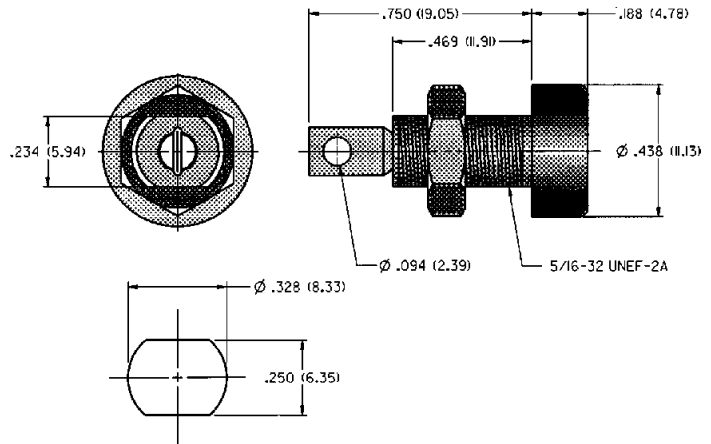
## RATINGS

**Current:** 15 amps

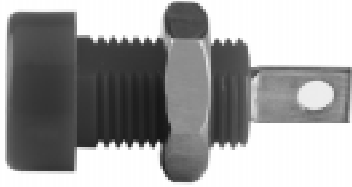
**Breakdown Voltage:** 7000 Vrms minimum

**Contact Resistance:** 0.010 ohms maximum

**Contact-To-Panel:** 2.4 pF nominal



MOUNTING HOLE LAYOUT



## BRIGHT TIN PLATING

108-0901-001 White

**For Standard Banana Plug: .175 (4.44) Across Flats**

## FEATURES:

- Keyed mounting with double flats
- Accepts up to 16 gauge wire
- Nylon UL approved for self extinguishing