



HESTORE.HU

elektronikai alkatrész áruház

EN: This Datasheet is presented by the manufacturer.

Please visit our website for pricing and availability at www.hestore.hu.

tend FOOT SWITCH

FEATURES

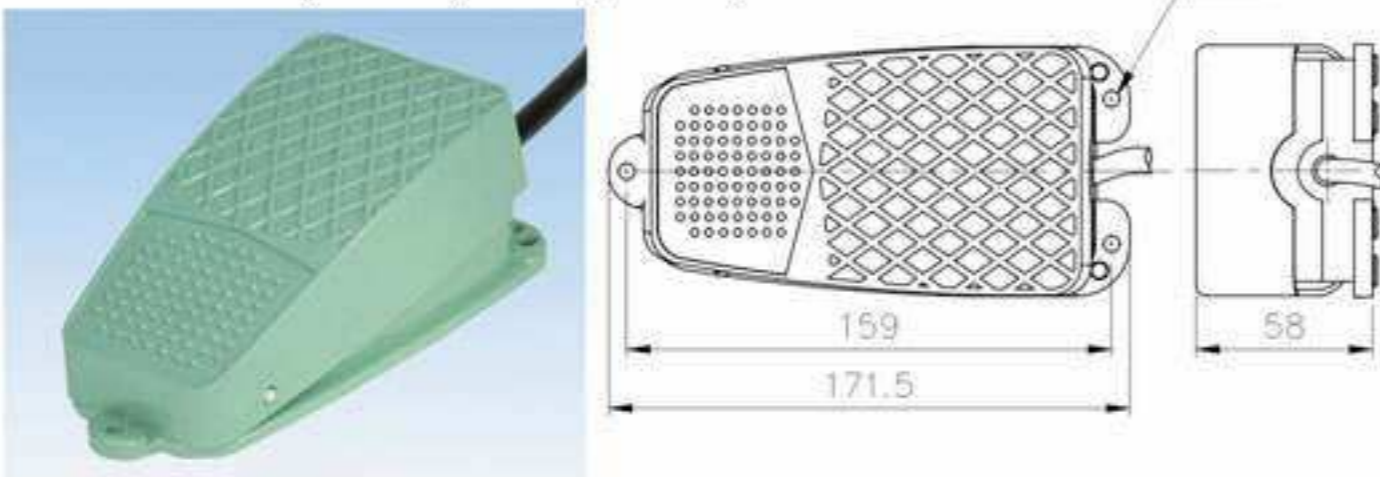
Designation	Type	Rating	Type of Switch Enclosed & contact Arrangement	Cable Type/Length	Contact	Actuation Force	Material of Rind
Standard Type Momentary Action	TFS-101	10A 250VAC	TMV-10 Micro-Switch Momentary	0.75mm ² ,3C/0.5m~3m	1A1B	3.5kg	Plastics Aluminium cast
	TFS-102	15A 250VAC	TM1704	0.75mm ² ,3C/1.5m~2m	1A1B	3.5kg	
	TFS-103	10A 250VAC	TMV-10 Micro-Switch Momentary 2pcs.	0.75mm ² ,6C/1m2m	2A2B	3.5kg	
	TFS-104	15A 250VAC	TM-1704 * 2	0.75mm ² ,6C/1m2m	2A2B	3.5gk	
Standard Type Alternate Action	TFS-105	6A 250VAC	TS-105 Push Button Switch Alternate Action	0.75mm ² ,2C/1m, 1.5m2m	PUSH ON PUSH OFF	3.5kg	Plastics Aluminium cast
	TFS-106	6A 250VAC	Imported Micro-Switch	0.75mm ² ,3C/1m	PUSH 1A PUSH 1B	3.5kg	
Mini Foot Switch Front End Push	TFS-201	10A 250VAC	TMV-10 Micro-Switch Momentary	0.5mm ² ,3c/1m~3m	1A1B	1kg	Plastics
Front End Push with Metal Mounting Plate	TFS-202	10A 250VAC			1A1B	1kg	
Mini Foot Switch	TFS-203	10A 250VAC			1A1B	1kg	
Protective Guard Foot Switch	TFS-302	15A 250VAC	TM 1704	Accessory:Cable gland(No Cable)	1A1B	3.5kg	Plastics and Aluminium cast
	TFS-304	15A 250VAC	TM 1704 * 2		2A2B	3.5kg	
	TFS-305	6A 250VAC	TS-105 Push Button Switch Alternate Action		PUSH ON PUSH OFF	3.5kg	
	TFS-306	6A 250VAC	Imported Micro-Switch		PUSH 2A PUSH 2B	3.5gk	
Large Type	TFS-402	15A 250VAC	TM 1704	Accessory:Cable gland(No Cable)	1A1B	3.5kg	Plastics and Aluminium cast
	TFS-404	15A 250VAC	TM 1704 * 2		2A2B	3.5kg	
	TFS-405	6A 250VAC	TS-105 Push Button Switch Alternate Action		PUSH ON PUSH OFF	3.5kg	
	TFS-406	6A 250VAC	Imported Micro-Switch		PUSH 2A PUSH 2B	3.5kg	
Full Shield	TFS-502	15A 250VAC	TM 1704	Accessory:Cable gland(No Cable)	1A1B	3kg	Aluminium cast
	TFS-602	15A 250VAC	TM 1704 * 2		2A2B	3.2kg	

● :Add "R" for waterproof. Available in TFS3 & TFS4.

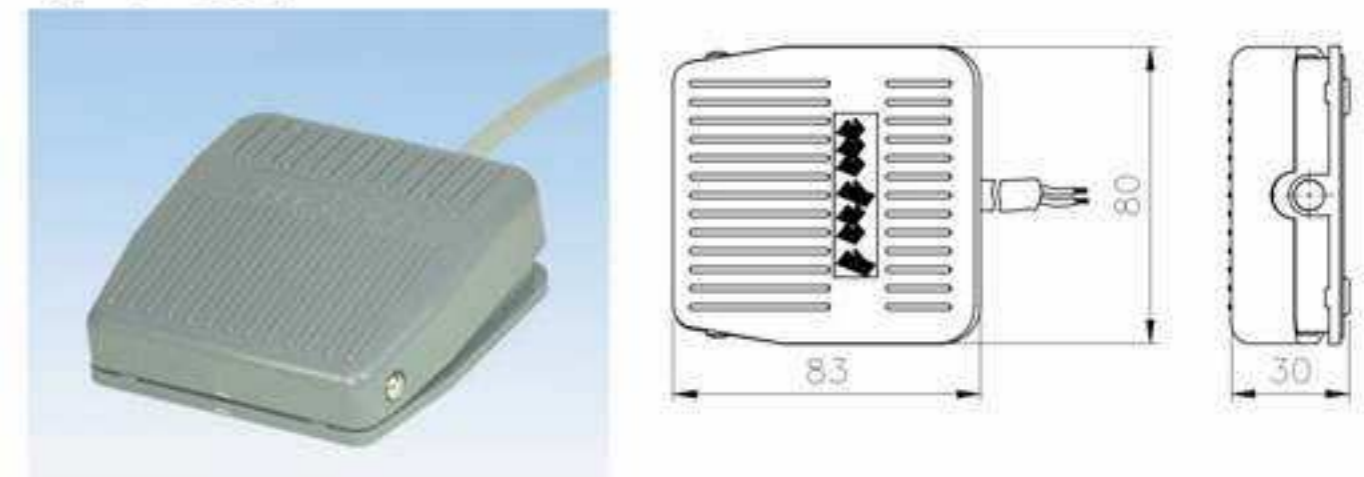
● :Add "Z" for aluminium housing. Available in TFS1, TFS3 & TFS4.

● : TFS5 series has TFS-504, TFS-505, TFS-506. Inside Micro-Switch is the same as TFS3 series.

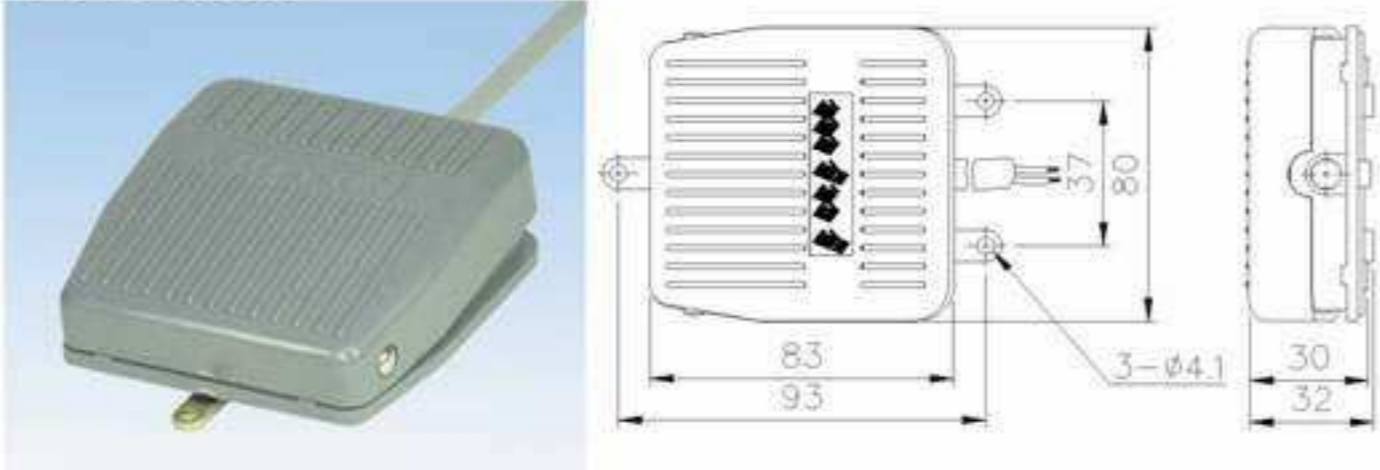
TFS-101,102,104,105,106



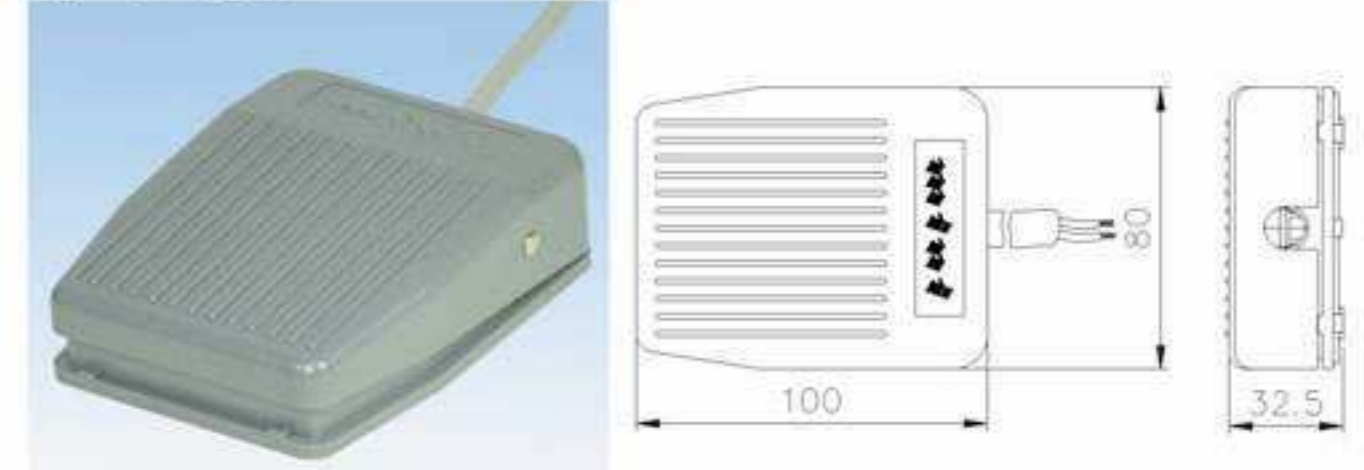
TFS-201



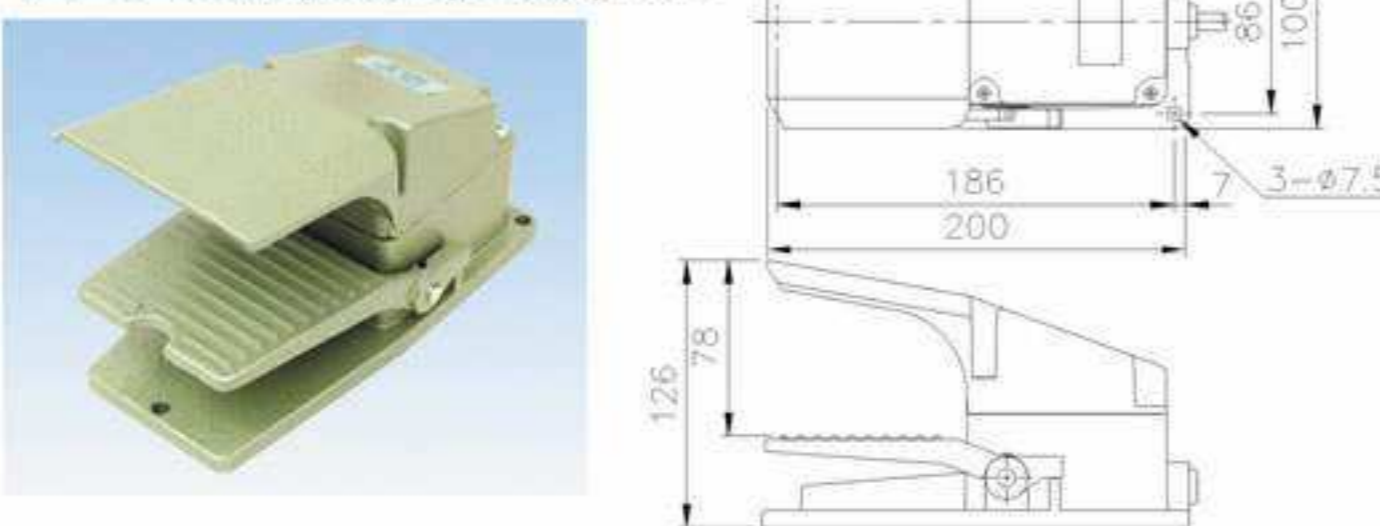
TFS-202



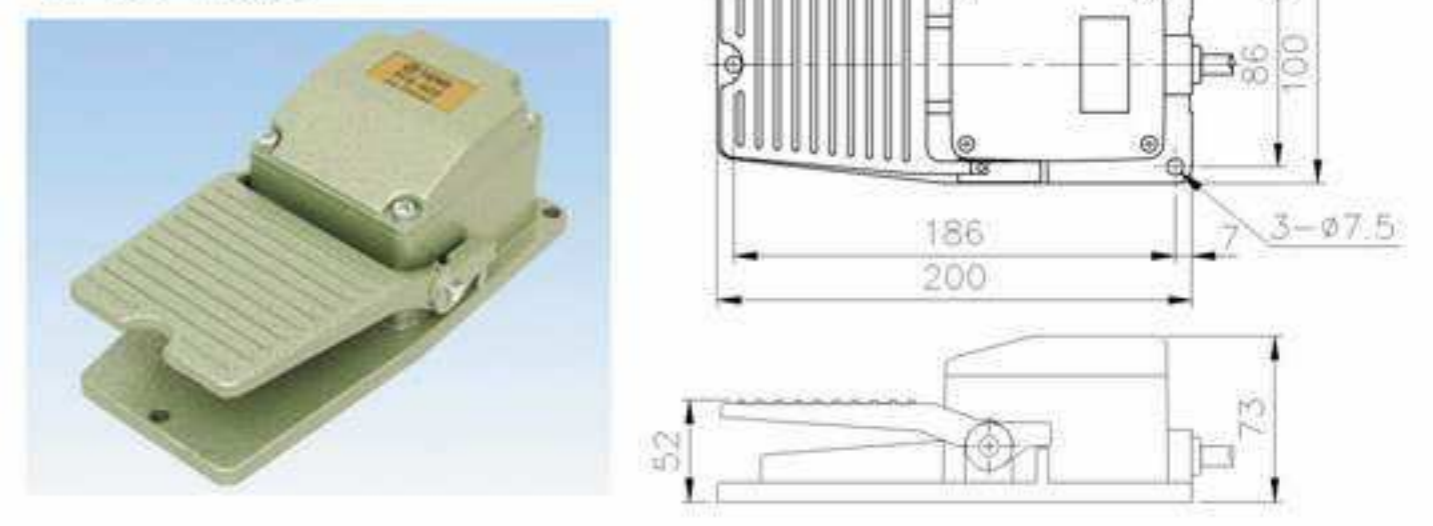
TFS-203



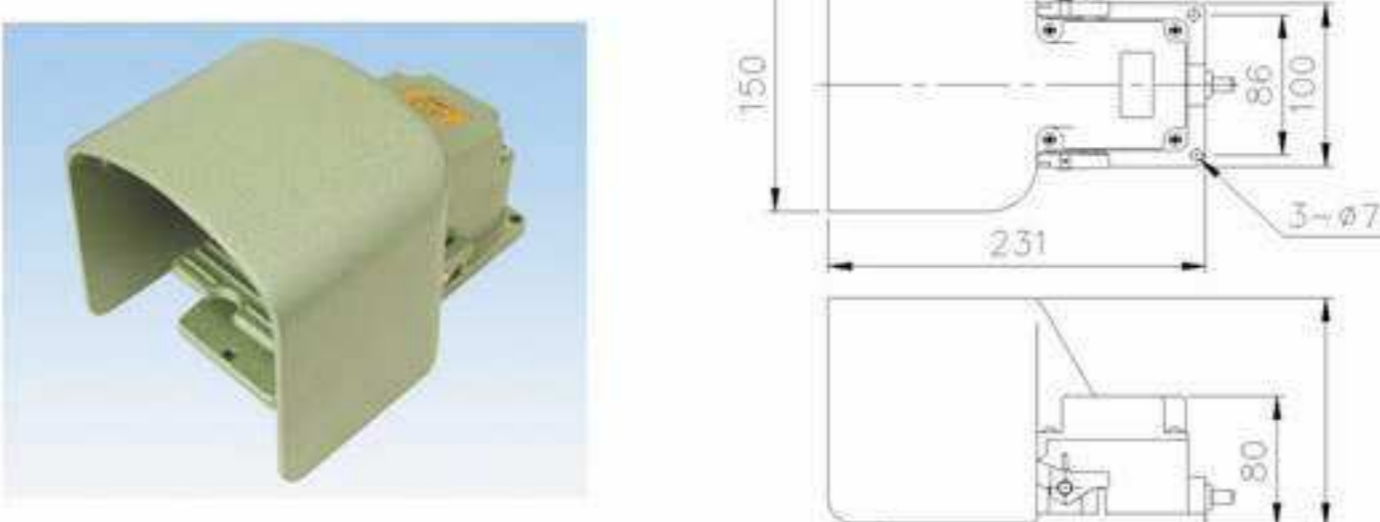
TFS-302,304,305,306



TFS-402



TFS-502



TFS-602

