



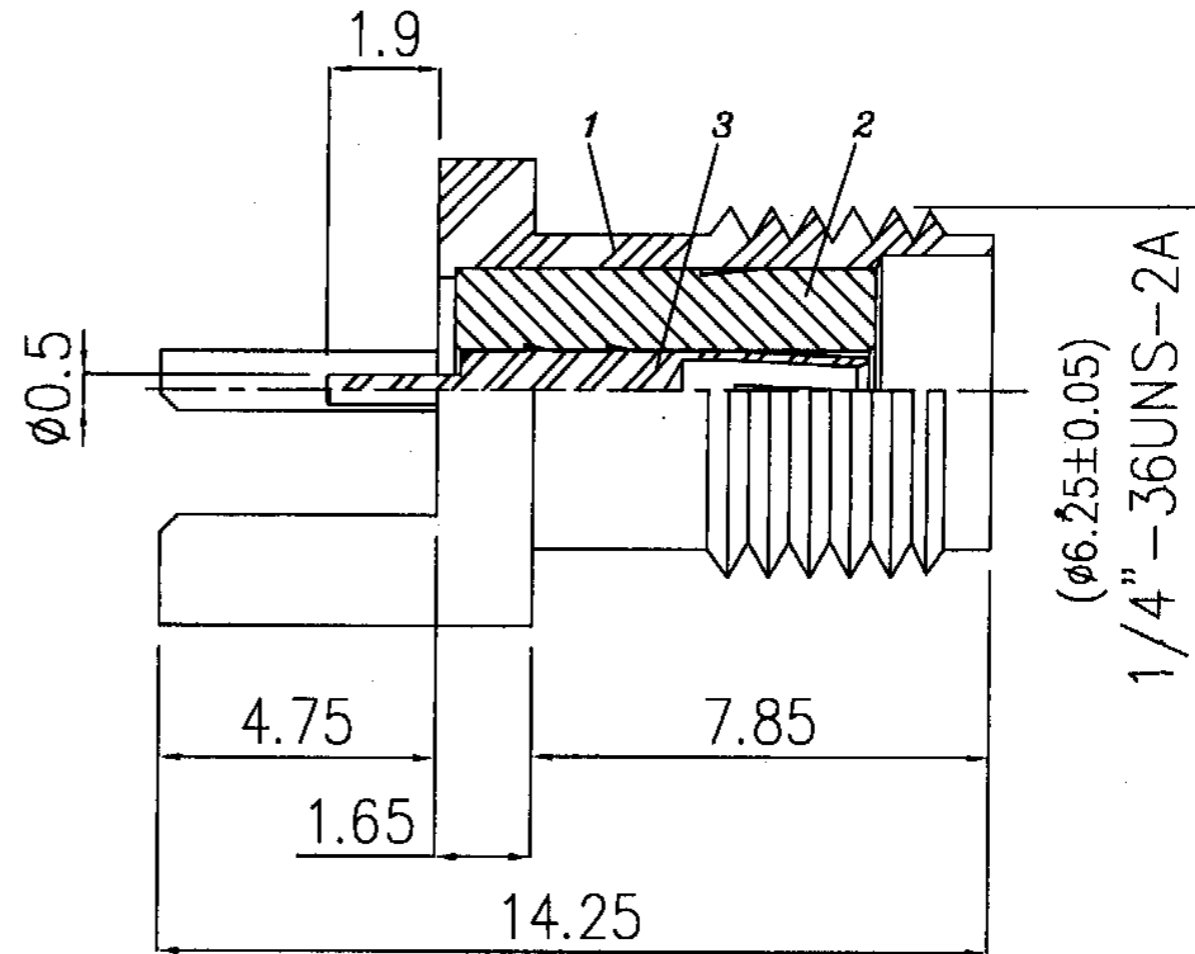
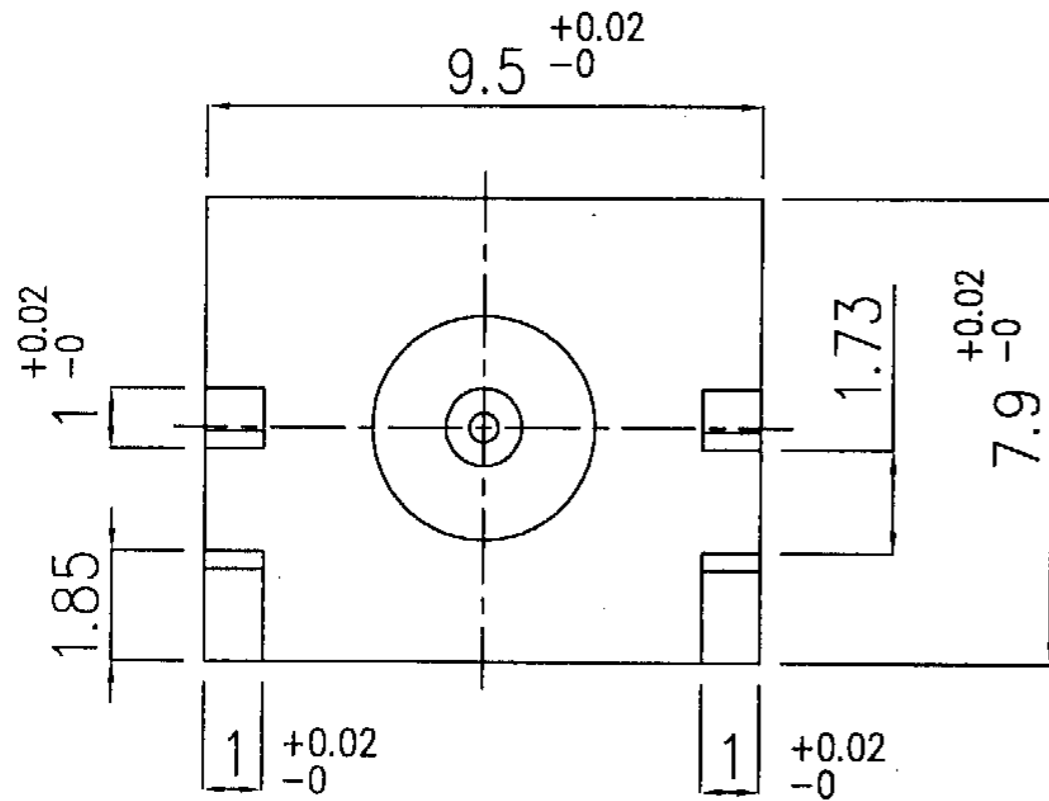
**HESTORE.HU**

elektronikai alkatrész áruház

**EN:** This Datasheet is presented by the manufacturer.

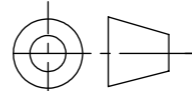
Please visit our website for pricing and availability at [www.hestore.hu](http://www.hestore.hu).

REVISION	INDEX	PREVIOUS VALUE	NEW VALUE	APPROVED	DATE



NO	DESCRIPTION	Q'TY	ITEM NO.	MATERIAL	PLATING
1	BODY	1	S-P2152-7A-ROHS	BRASS	GOLD 3-5 μ" MIN.
2	DIELECTRIC	1	T-040012	TEFLON	-
3	CENTER PIN	1	S-P2152	BERYLLIUM COOPER	GOLD 3-5 μ" MIN.

ISO 2768-mK

THE INFORMATION CONTAINED IN THIS DRAWING IS THE SOLE PROPERTY OF ZJ SRO.		DO NOT SCALE DRAWING	REVISION
 DEBUR AND BREAK SHARP EDGES	AUTHOR	B.Pangrac	TITLE:
	DATE	10.4.2013	SMA Female end Launch Receptacle, Gold
CHECKED BY		DWG NO.	REVISION
APPROVED		SMA PCMT	A3
MATERIAL:		SCALE:	UNLESS OTHERWISE SPECIFIED: DIMENSIONS ARE IN MILLIMETERS
FINISH:		SHEET 1 of 1	
WEIGHT: g			