



**HESTORE.HU**

elektronikai alkatrész áruház

**EN:** This Datasheet is presented by the manufacturer.

Please visit our website for pricing and availability at [www.hestore.hu](http://www.hestore.hu).

BOM LIST			
ITEM	PART NAME	Q'ty	NOTES
1	PLASTIC HOOD	2	SEE P/N
2	2.1 LONG BOLT	2	#4-40
	2.2 SHORT BOLT	2	#4-40
3	NUT	2	M3
4	LONG SCREW	2	M3
5	SMALL WASHER	2	
6	SHORT SCREW	2	M3
7	METAL WASHER	2	M3

REV.	DESCRIPTION	DRAWN	CHECKED	APPROVED
A	NEW RELEASE	LJH 08/13/05'	~	LJC 08/13/05'
C	整理英制短螺丝尺寸	YCH 07/18/08'	~	LJC 07/18/08'
D	增加“全包装”类型	YCH 05/20/10'	~	LJC 05/20/10'
E	改M3*12的螺钉为M3*10	YCH 08/30/10'	~	LJC 08/30/10'
F	ADD P/N CODE	LJC 12/24/13'	~	LJC 12/24/13'
H	ADD LOGO	JLZ 12/17/14'	~	

NOTES:

1. Hardwares are all Nickel plated.
2. PART NUMBER CODE:

DS1045 - 09 X X X X X - X

Hood Materials (F)

- A: ABS
- B: Similar ABS

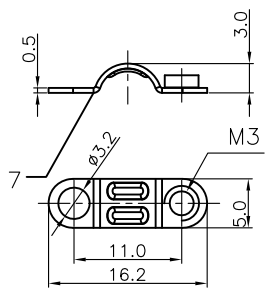
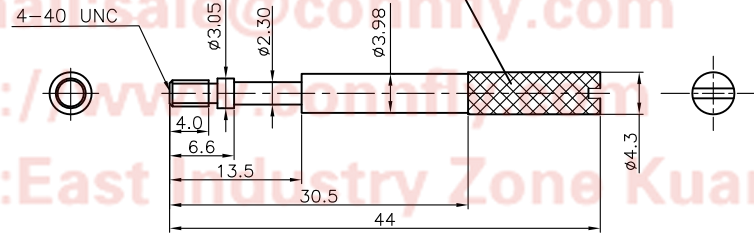
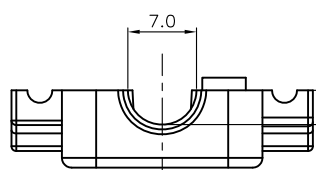
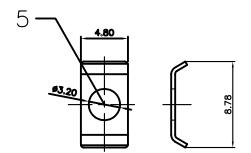
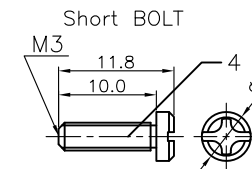
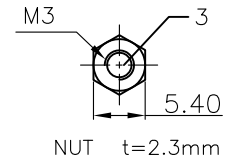
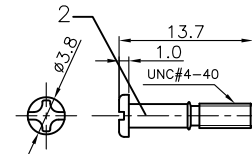
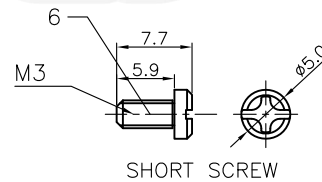
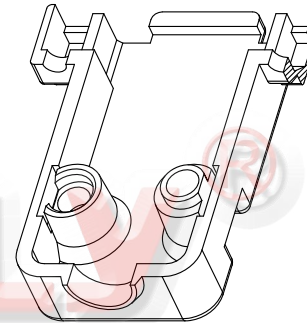
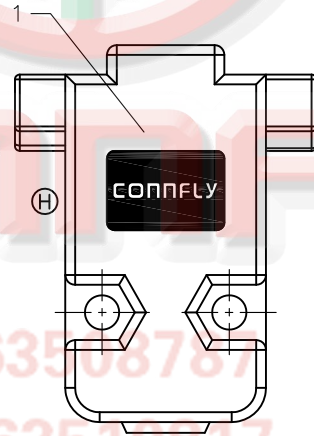
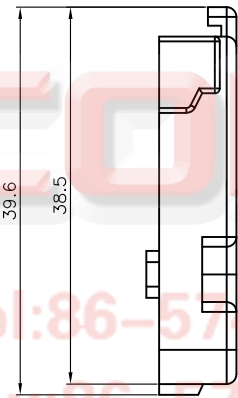
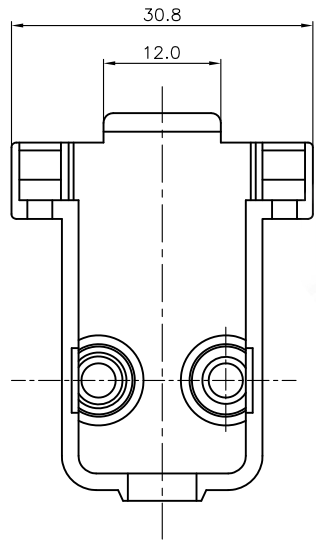
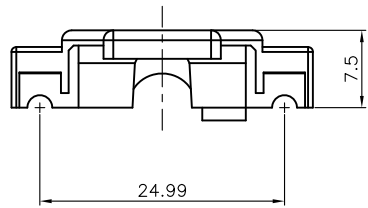
Washer type  
1: Metal

Bolt type  
L: Long  
S: Short

Packing type  
1: Mix packing  
2: Separation packing  
Q: Full packing

Cover Material  
P: Plastic(ABS)  
Cover Color

- A: Gray
  - B: Black
  - V: Ivory
- Position  
09: 9pin



Long BOLT

LONG SCREW


SMALL WASHER

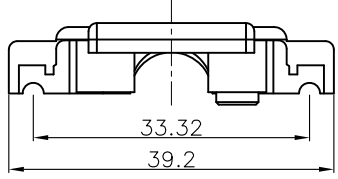
Metal

GENERAL TOLERANCE		ANGLE TOLERANCE	
X.	±0.60	X.	±5°
.X	±0.38	.X	±3°
.XX	±0.25	.XX	±2°

PROJECTION	TITLE	D-SUB Plastic Hood 180° 9 Positions	
UNITS	mm		
SHEET SIZE	A4	SERIES	DS1045 SERIES

DRAWING TYPE	COSTOMER		
SCALE	1:1	SHEET	1 OF 1
DRAWING NO.	C-DS1045-09XXXXX-X-H		

 晨翔电子有限公司  
**CONNFLY ELECTRONIC CO., LTD**



BOM LIST			
ITEM	PART NAME	Q'ty	NOTES
1	PLASTIC HOOD	2	SEE P/N
2	2.1 LONG BOLT	2	#4-40
	2.2 SHORT BOLT	2	#4-40
3	NUT	2	M3
4	LONG SCREW	2	M3
5	SMALL WASHER	2	M3
6	SHORT SCREW	2	M3
7	METAL WASHER	2	M3

REV.	DESCRIPTION	DRAWN	CHECKED	APPROVED
A	NEW RELEASE	LJH 05/18/05'	~	LJC 05/18/05'
C	整理英制短螺丝尺寸	YCH 07/18/08'	~	LJC 07/18/08'
D	增加全尺寸类型 <del>NEW RELEASE</del>	YCH 05/20/10'	~	LJC 05/20/10'
E	ADD P/N CODE	LJC 12/24/13'	~	LJC 12/24/13'
G	ADD LOGO	JLZ 12/17/14'	~	

NOTES:  
 1. Hardwares are all Nickel plated.  
 2. PART NUMBER CODE:  
 DS1045 - 15 X X X X X - X

Hood Materials (E)  
 A: ABS  
 B: Similar ABS

Washer type  
 1: Metal

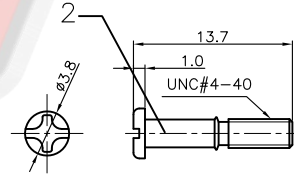
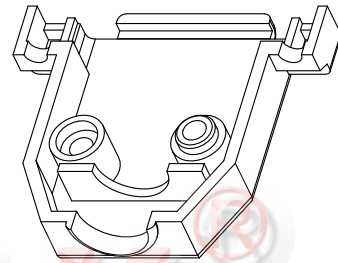
Bolt type  
 L: Long  
 S: Short

Packing type  
 1: Mix packing  
 2: Separation packing  
 Q: Full packing

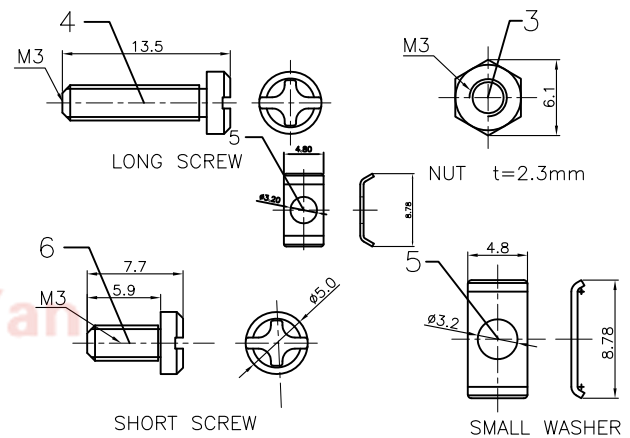
Cover Material  
 P: Plastic(ABS)

Cover Color  
 A: Gray  
 B: Black  
 V: Ivory

Position  
 15: 15pin



Short BOLT

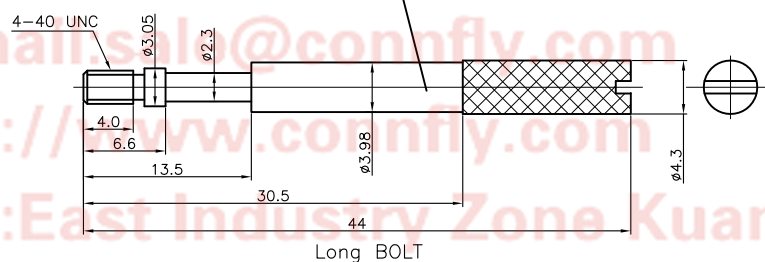
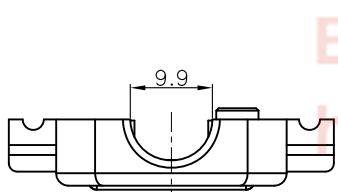
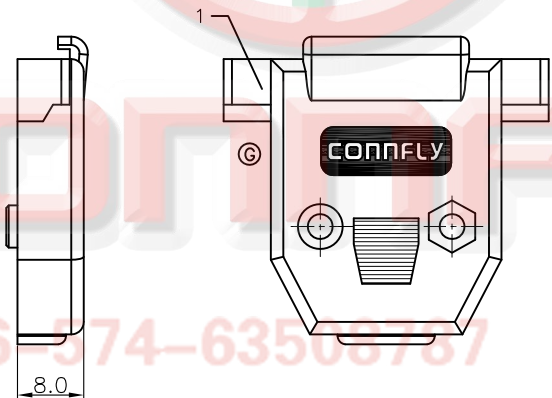
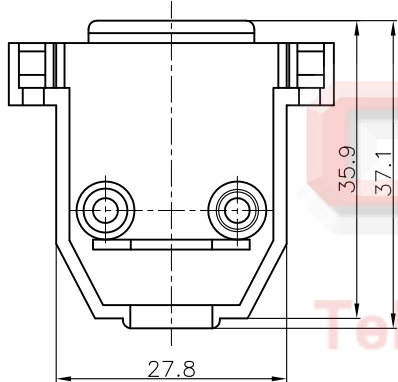


LONG SCREW

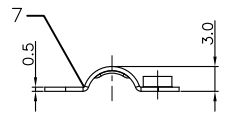
NUT t=2.3mm

SHORT SCREW

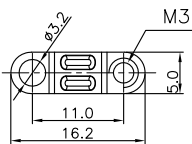
SMALL WASHER



Long BOLT



Metal




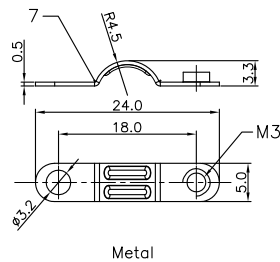
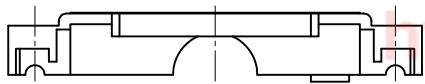
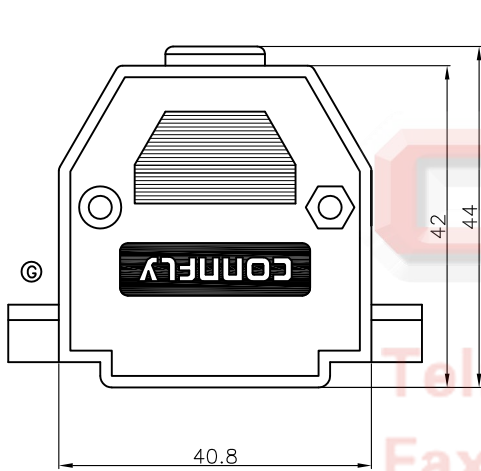
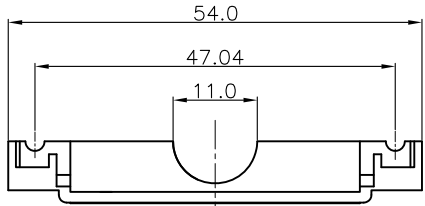
Tel:86-574-63505757  
 Fax:86-574-63510817  
 E-mail:sales@connfly.com  
 http://www.connfly.com  
 Add:East Industry Zone KuangYan  
 Town Cixi Ningbo China  
 P.C:315333

GENERAL TOLERANCE		ANGLE TOLERANCE	
X.	±0.60	X.	±5°
.X	±0.38	.X	±3°
.XX	±0.25	.XX	±2°

PROJECTION	TITLE	D-SUB Plastic Hood 180° 15 Positions	
UNITS	mm	SHEET SIZE	A4
SHEET SIZE	A4	SERIES	DS1045 SERIES

DRAWING TYPE	CUSTOMER		
SCALE	1:1	SHEET	1 OF 1
DRAWING NO.	C-DS1045-15XXXXX-X-G		


**晨翔电子有限公司**  
**CONNFLY® CONNFLY ELECTRONIC CO., LTD**



BOM LIST			
ITEM	PART NAME	Q'ty	NOTES
1	PLASTIC HOOD	2	SEE P/N
2	2.1 LONG BOLT	2	#4-40
	2.2 SHORT BOLT	2	#4-40
3	NUT	2	M3
4	LONG SCREW	2	M3
5	SMALL WASHER	2	M3
6	SHORT SCREW	2	M3
7	METAL WASHER	2	M3

REV.	DESCRIPTION	DRAWN	CHECKED	APPROVED
A	NEW RELEASE	LJH 10/26/05'	~	LJC 10/26/05'
C	整理英制短螺丝尺寸	YCH 07/18/08'	~	LJC 07/18/08'
D	增加“全包装”类型	YCH 05/20/10'	~	LJC 05/20/10'
E	ADD P/N CODE	LJC 12/24/13'	~	LJC 12/24/13'
G	ADD LOGO	JLZ 12/17/14'	~	

NOTES:

1. Hardwares are all Nickel plated.

2. PART NUMBER CODE:

DS1045 - 25 X X X X X - X

Hood Materials (E)

A: ABS

B: Similar ABS

Washer type

1: Metal

Bolt type

L: Long

S: Short

Packing type

1: Mix packing

2: Separation packing

Q: Full packing

Cover Material

P: Plastic(ABS)

Cover Color

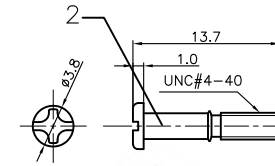
A: Gray

B: Black

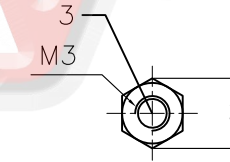
V: Ivory

Position

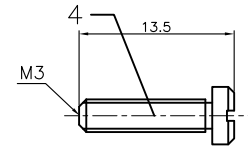
25: 25pin



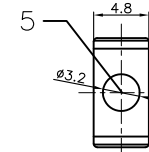
Short BOLT



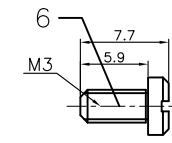
NUT t=2.3mm



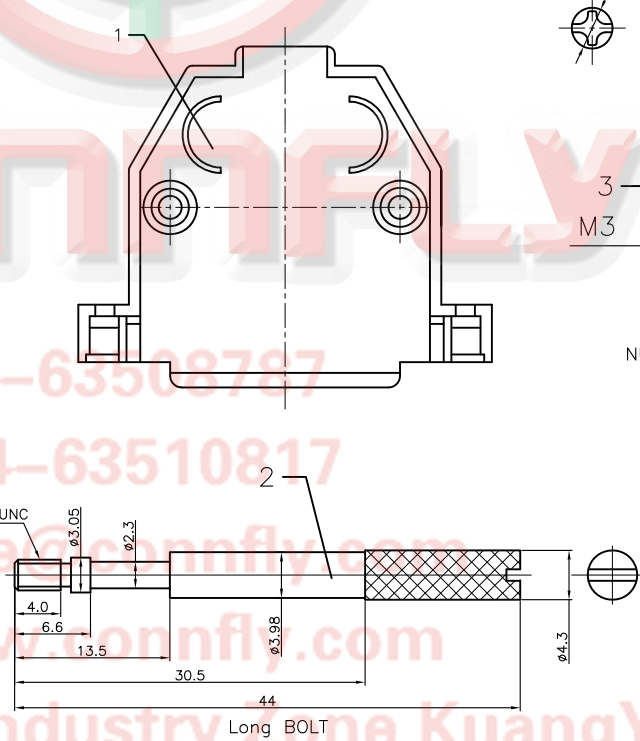
LONG SCREW



SMALL WASHER



SHORT SCREW




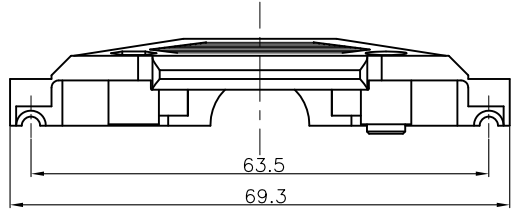
Long BOLT

GENERAL TOLERANCE		ANGLE TOLERANCE	
X.	±0.60	X.	±5°
.X	±0.38	.X	±3°
.XX	±0.25	.XX	±2°

PROJECTION	TITLE	D-SUB Plastic Hood 180° 25 Positions	
UNITS	mm	SHEET	1 OF 1
SHEET SIZE	A4	SERIES	DS1045 SERIES

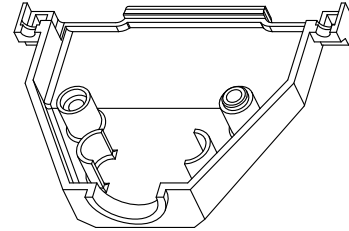
DRAWING TYPE	COSTOMER		
SCALE	1:1	SHEET	1 OF 1
DRAWING NO.	C-DS1045-25XXXXX-X-G		

 晨翔电子有限公司  
CONNFLY® CONNFLY ELECTRONIC CO., LTD



BOM LIST			
ITEM	PART NAME	Q'ty	NOTES
1	PLASTIC HOOD	2	SEE P/N
2	LONG BOLT	2	#4-40
	SHORT BOLT	2	#4-40
3	NUT	2	M3
4	LONG SCREW	2	M3
5	SMALL WASHER	2	
6	SHORT SCREW	2	M3
7	METAL WASHER	2	M3

REV.	DESCRIPTION	DRAWN	CHECKED	APPROVED
A	NEW RELEASE	LJH 10/26/05'	~	LJC 10/26/05'
C	整理英制短螺丝尺寸	YCH 07/18/08'	~	LJC 07/18/08'
D	增加“全包装”类型	YCH 05/20/10'	~	LJC 05/20/10'
E	ADD P/N CODE	LJC 12/24/13'	~	LJC 12/24/13'
G	ADD LOGO	JLZ 12/17/14'	~	



NOTES:  
 1. Hardwares are all Nickel plated.  
 2. PART NUMBER CODE:  
 DS1045 - 37 X X X X X - X

Hood Materials  
 A: ABS  
 B: Similar ABS

Washer type  
 1: Metal

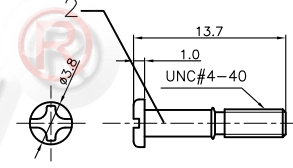
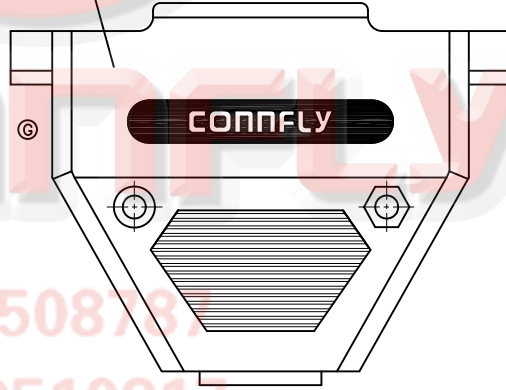
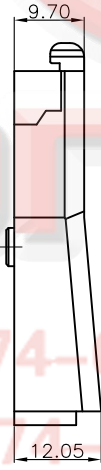
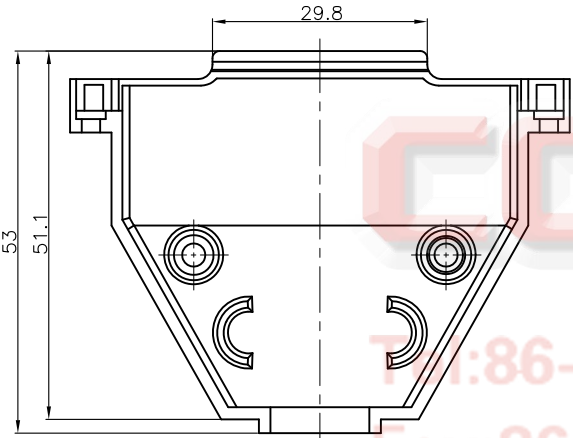
Bolt type  
 L: Long  
 S: Short

Packing type  
 1: Mix packing  
 2: Separation packing  
 Q: Full packing

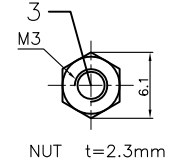
Cover Material  
 P: Plastic(ABS)

Cover Color  
 A: Gray  
 B: Black  
 V: Ivory

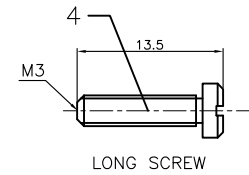
Position  
 37: 37pin



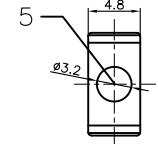
Short BOLT



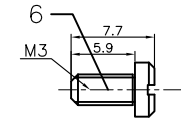
NUT t=2.3mm



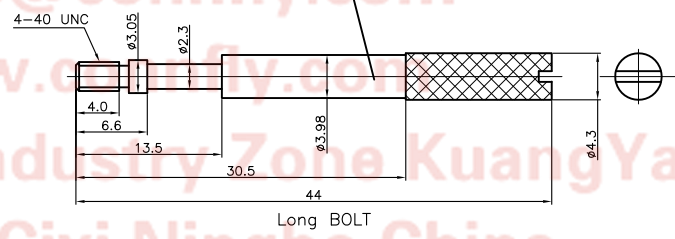
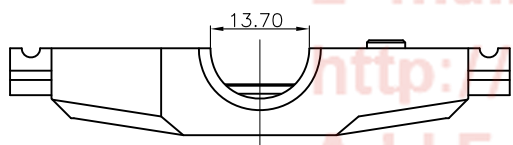
LONG SCREW



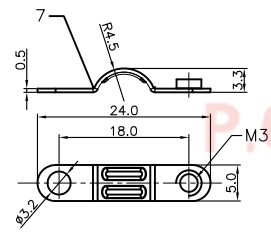
SMALL WASHER



SHORT SCREW



Long BOLT




Metal

Tel: 86-574-6350878  
 Fax: 86-574-63510817  
 E-mail: sale@connfly.com  
 http://www.connfly.com  
 Add: East Industry Zone Kuang Yan  
 Town Cixi Ningbo China  
 P.C: 315333

GENERAL TOLERANCE		ANGLE TOLERANCE	
X.	±0.60	X.	±5°
.X	±0.38	.X	±3°
.XX	±0.25	.XX	±2°

PROJECTION	TITLE	D-SUB Plastic Hood 180° 37 Positions	
UNITS	mm	SHEET SIZE	A4
SHEET SIZE	A4	SERIES	DS1045 SERIES

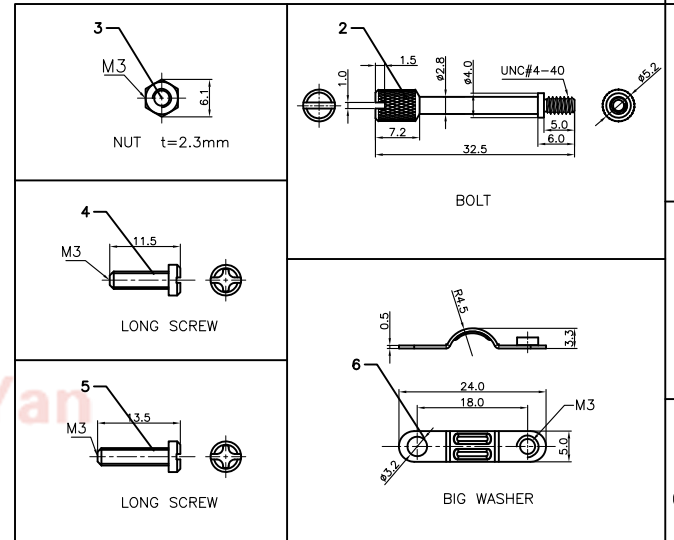
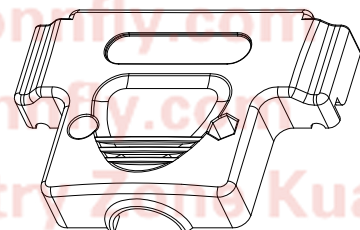
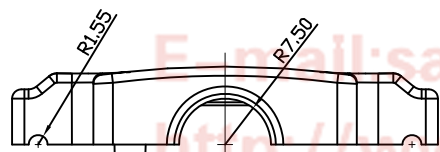
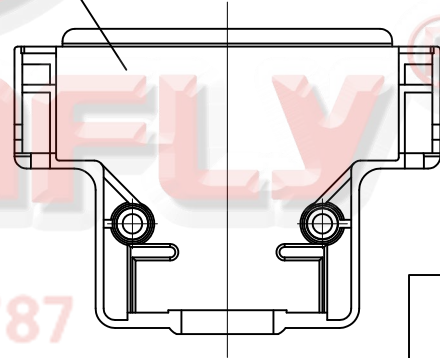
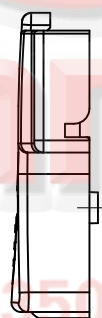
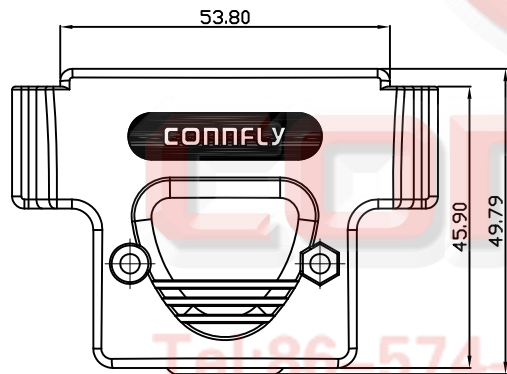
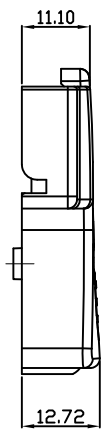
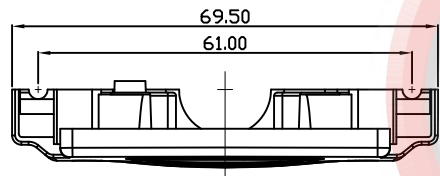
DRAWING TYPE	COSTOMER		
SCALE	1:1	SHEET	1 OF 1
DRAWING NO.	C-DS1045-37XXXXX-X-G		


**晨翔电子有限公司**  
**CONNFLY® CONNFLY ELECTRONIC CO., LTD**

REV.	DESCRIPTION	DRAWN	CHECKED	APPROVED
A	NEW RELEASE	YCH 05/24/11'	~	LJC 05/24/11'
B	ADD P/N CODE	LJC 12/24/13'	~	LJC 12/24/13'
C	Arrange Drawing	JLZ 10/09/14'	~	LJC 10/09/14'
D	ADD LOGO	JLZ 12/17/14'	~	

NOTES:  
 1. Hardwares are all Nickel plated.  
 2. PART NUMBER CODE:  
 DS1045 - 50 X X X - X

- Hood Materials®
  - A: ABS
  - B: Similar ABS
- Packing type
  - 1: Mix packing
  - 2: Separation packing
- Cover Color
  - A: Gray
  - B: Black
- Cover Material
  - P: Plastic(ABS)
- Position
  - 50: 50pin



BOM LIST			
ITEM	PART NAME	Q'ty	NOTES
1	PLASTIC HOOD	2	SEE P/N
2	BOLT	2	#4-40
3	NUT	2	M3
4	M3*10 SCREW	2	M3
5	M3*12 SCREW	2	M3
6	BIG WASHER	2	M3

GENERAL TOLERANCE		ANGLE TOLERANCE	
X.	±0.60	X.	±5°
.X	±0.38	.X	±3°
.XX	±0.25	.XX	±2°

DRAWING TYPE	CUSTOMER
SCALE	1:1
DRAWING NO.	C-DS1045-50XXX-X-D

PROJECTION	TITLE	D-SUB Plastic Hood 180° 50 Positions	
UNITS	mm	SHEET	1 OF 1
SHEET SIZE	A4	SERIES	DS1045 SERIES

**CONNFLY® 晨翔电子有限公司**  
**CONNFLY ELECTRONIC CO., LTD**

Tel: 86-574-63508787  
 Fax: 86-574-63510817  
 E-mail: sale@connfly.com  
 http://www.connfly.com  
 Add: East Industry Zone, Kuang Yang  
 Town Cixi Ningbo China  
 Tel: 86-574-315333