



HESTORE.HU

elektronikai alkatrész áruház

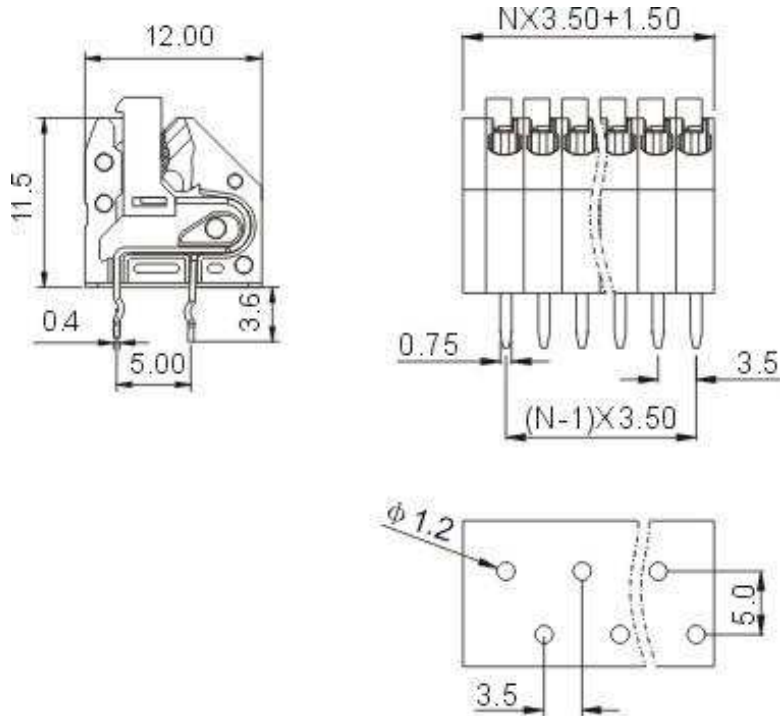
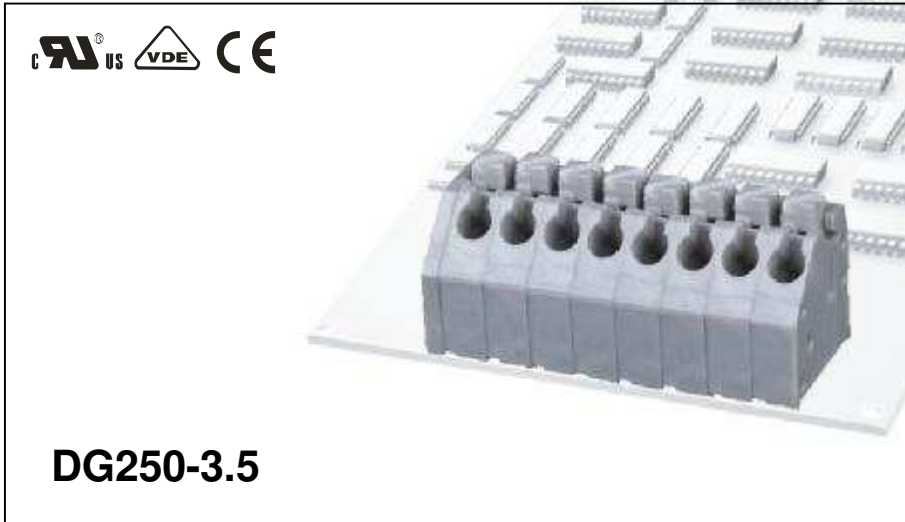
EN: This Datasheet is presented by the manufacturer.

Please visit our website for pricing and availability at www.hestore.hu.



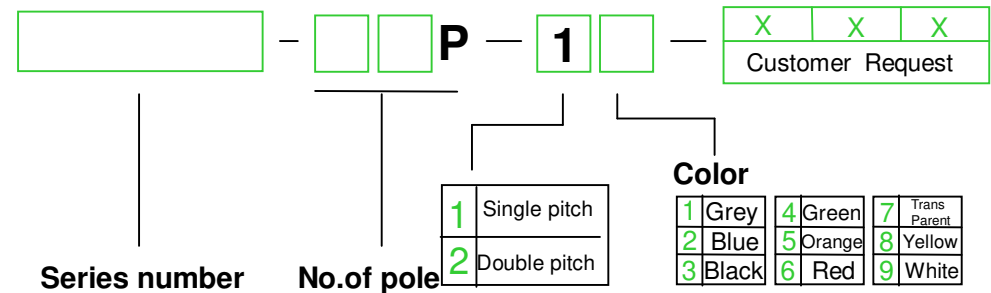
DEGSON ELECTRONICS CO., LTD.

Product Specification



Approval		
Electrical		
Standard	UL	IEC
Rated voltage	300V	400V
Rated current	7A	5A
Wire range	22-18AWG	0.2-0.75mm ²
Withstanding voltage	AC2500V/1Min	
Mechanical		
Ambient temperature	-40°C ~ +105 °C	
Strip length	8.5-9.5mm	
Dimensions		
Pitch	3.5mm (.138")	
Poles	1P-XXP	
Material		
Housing	PA66, UL94V-0	
Pin header	Phosphor bronze, Tin plated	

HOW TO ORDER :



	DEGSON ELECTRONICS CO., LTD.
	NAME DG250-3.5