



**HESTORE.HU**

elektronikai alkatrész áruház

**EN:** This Datasheet is presented by the manufacturer.

Please visit our website for pricing and availability at [www.hestore.hu](http://www.hestore.hu).

REVISION RECORD

REV	ECN	DESCRIPTION	DRFT	DATE
-----	-----	-------------	------	------

NOTES1:

UL Standard

1. Rated voltage/current : 300V / 8A
2. Withstanding voltage : AC1600V/1Min.
3. Wire range : 22~16AWG

IEC Standard

1. Pollution degree	3	2	2
Overvoltage category	III	III	II
Rate impulse voltage(KV)	4.0KV	4.0KV	4.0KV
Rate voltage(V)	320V	320V	630V
Rate current(A)	10A		

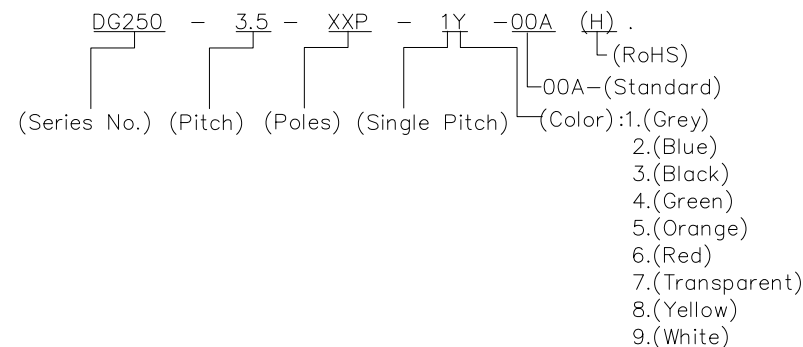
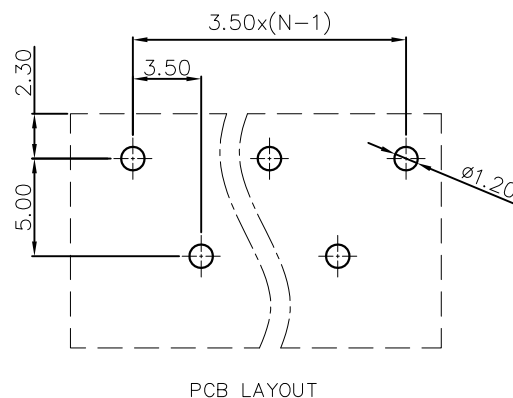
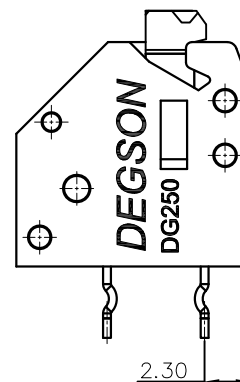
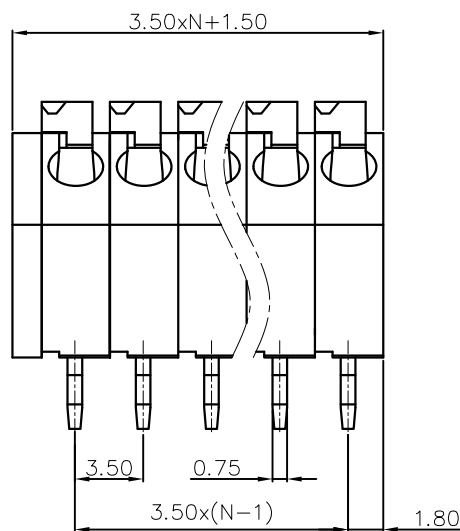
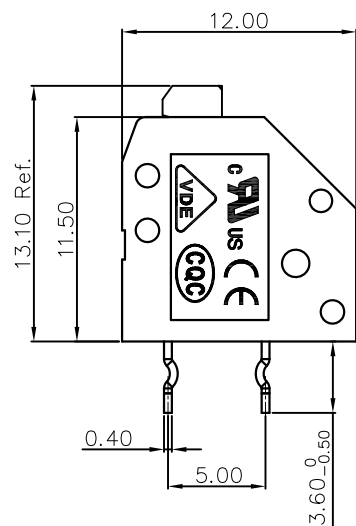
2. Wire range : 0.2~1.5mm<sup>2</sup>

NOTES2:

1. Dimension shall be interpreted per ASME Y14.5-2009
2. Pitch : 3.50mm, Poles : N=01~XXP
3. Stripping length : 8.5~9.5mm
4. Environment temperature: -40°C~+105°C
5. Undimensioned tolerances:

Pitch range in mm		Nominal dimension range in mm						-	∩	∇
TO	Over TO	Over TO	TO	Over TO	Over TO	Over TO	0.1/10			
6	6 TO 10	10 TO 24	30	30 TO 60	60 TO 100	100 TO 150	<			
	±0.15	±0.20	±0.30	±0.30	±0.50	±0.70	±1.00	±1.30	±2'	

6. RoHS Compliance



DETACHED LISTS	PART NO.:	/			宁波高松电子有限公司 NINGBO DEGSON ELECTRICAL CO., LTD	
	APPD:	/				NAME: DG250-3.5-XXP-1Y-00A(H).
	CHKD:	/			TITLE: CUSTOMER DRAWING	
	DRFT:	/			REV	DO
THIRD ANGLE PROJECTION		DRAWING NO.:	/		SHEET	1/1
		MM (INCH)	DO NOT SCALE DRAWING	SCALE	1:1	