

HESTORE.HU

elektronikai alkatrész áruház

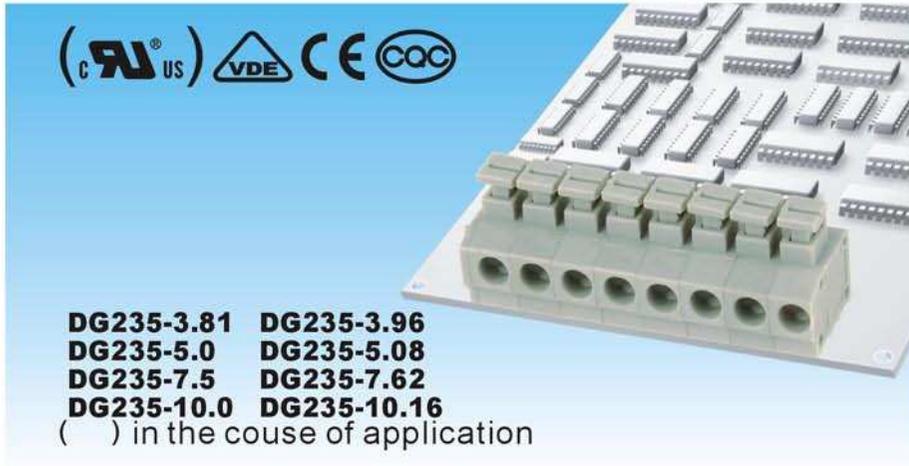
EN: This Datasheet is presented by the manufacturer.

Please visit our website for pricing and availability at www.hestore.hu.

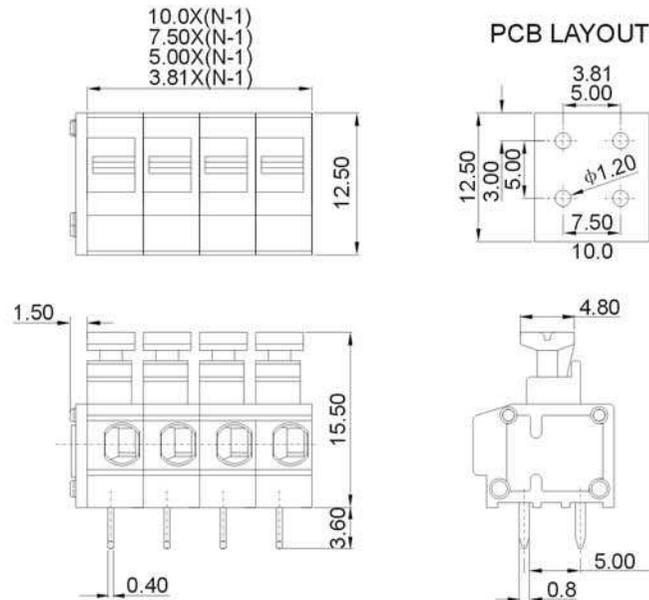


DEGSON ELECTRONICS CO., LTD.

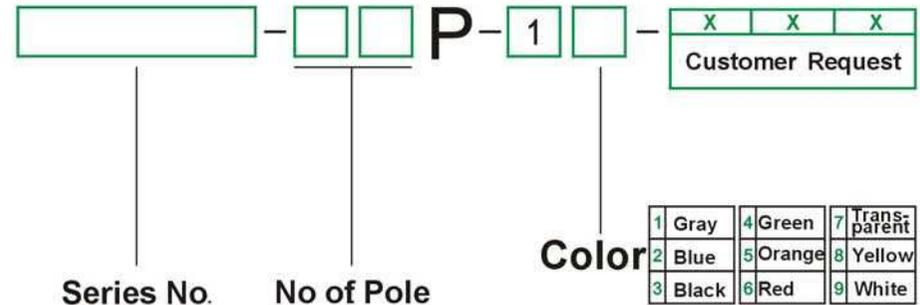
Product Specification



| Material | |
|-------------------------|-----------------------------|
| Wire guard: | Stainless steel |
| Pin header: | Phosphor bronze, Tin plated |
| Housing : | PA66, UL94V-0 |
| Electrical | |
| Rated voltage : | 300V |
| Rated current : | 8A |
| Contact resistance : | 20mΩ |
| Insulation resistance : | 5000MΩ /DC1000V |
| Withstanding voltage: | AC2000V/1Min |
| Wire range : | 20-16AWG 1.5mm ² |
| Mechanical | |
| Temp. Range : | -40°C~+105°C |
| Strip length : | 9-10mm |



HOW TO ORDER:



| | | |
|-------------|---|-------------------------------------|
| | | DEGSON ELECTRONICS CO., LTD. |
| NAME | DG235-3.81 DG235-3.96 DG235-5.0 DG235-5.08 DG235-7.5 DG235-7.62 DG235-10.0 DG235-10.16 | |