

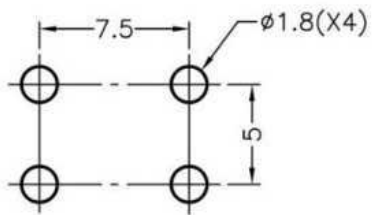
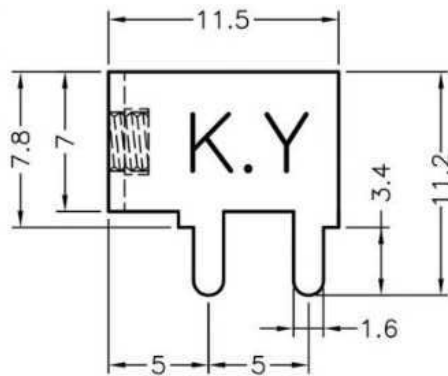
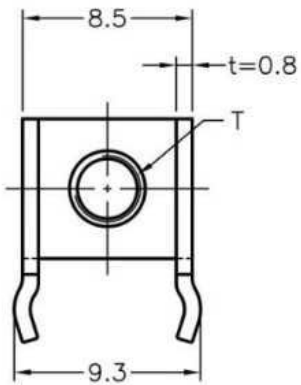


HESTORE.HU

elektronikai alkatrész áruház

EN: This Datasheet is presented by the manufacturer.

Please visit our website for pricing and availability at www.hestore.hu.



MOUNTING HOLES

T
M4X0.7

T	THREAD
---	--------

PART NUMBER		PCB-2(M4)		SPEC. DWG.	
TITLE					
P.C.B TERMINAL					
MATERIAL				COLOR	
TIN PLATED BRASS					
SIZE	SCALE	UNIT	CHECK		
A4	2:1	mm	Z.C		