



**HESTORE.HU**

elektronikai alkatrész áruház

**EN:** This Datasheet is presented by the manufacturer.

Please visit our website for pricing and availability at [www.hestore.hu](http://www.hestore.hu).

# Technical data sheet

## Junction box A 11

Art.-Nr. 2000342



Protection rating IP55, nominal voltage 400 V, nominal cross-section 2,5 mm<sup>2</sup>, 12 entries for cable diameter 5–14 mm.

Clamshell.

Dimensions: 85 x 85 x 40 mm

Clear internal dimensions: 75x75x35 mm

1 cut-out tool for every 10 boxes

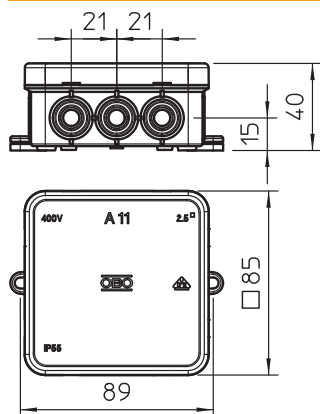


**PE** Polyethylene

### Master data

Item No.	2000342
Type	A 11
Description 1	Junction box
Description 2	without terminal strip
Dimension	85x85x40
Colour	Light grey
RAL number	7.035,00
Material	Polyethylene
Material symbol	PE
Smallest sales unit	10,00 pcs
Weight	6,20 kg/100 pcs.

### Technical specifications



Length	85,00 mm
Width	85,00 mm
Height	40,00 mm
Clear internal dimensions	75x75x35 mm
Dimension LxWxH	85x85x40 mm
Dimension	85 x 85 x 40 mm
Expandable	<input checked="" type="checkbox"/>
No. of entries	12,00
Type of entry	Cable
Type of entry	Cable
Type of housing penetration	Pre-marking
Measured insulation voltage Vi	400,00 V
Equipment	Without
Cover	Not transparent
Cover fastening	Locking
Entries	12 entries for cable diameter 5–14 mm
Entry from rear	<input checked="" type="checkbox"/>
Explosion-tested version	<input checked="" type="checkbox"/>
Flame resistant	flame resistant to VDE 0471/DIN 695 Part 2-1, test temperature 650° C
Shape	Square
Function maintenance (ETIM)	Without
For Ex zone	Without

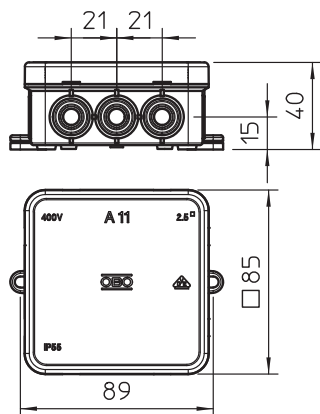
# Technical data sheet

## Junction box A 11

Art.-Nr. 2000342



### Technical specifications



For Ex zone gas	Without
For Ex zone dust	Without
Halogen-free	<input checked="" type="checkbox"/>
Max. conductor cross-section	2,50 mm <sup>2</sup>
With screening	<input checked="" type="checkbox"/>
With cover	<input checked="" type="checkbox"/>
Installation type	Wall/ceiling mounting
Mounting type	Wall/ceiling mounting
Nominal cross section	2,50 mm <sup>2</sup>
Nominal voltage	400,00 V
Protection rating	IP55
Sealable	<input checked="" type="checkbox"/>
max. permitted ambient temperature	-5,00 - 45,00 °C
Transparent lid	<input checked="" type="checkbox"/>
Weatherproof	<input checked="" type="checkbox"/>