



**HESTORE.HU**

elektronikai alkatrész áruház

**EN:** This Datasheet is presented by the manufacturer.

Please visit our website for pricing and availability at [www.hestore.hu](http://www.hestore.hu).

1 2 3 4 5 6 7 8

A

A

B

B

C

C

D

D

E

E

F

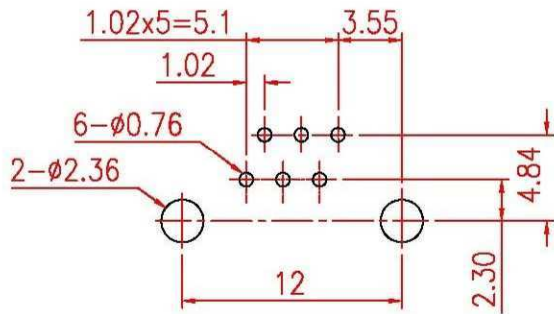
F

G

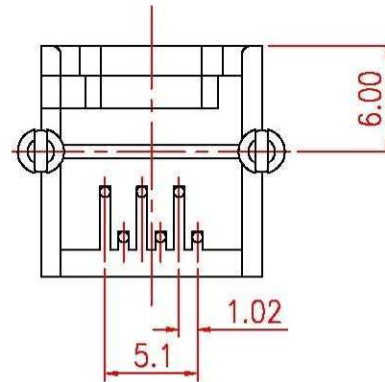
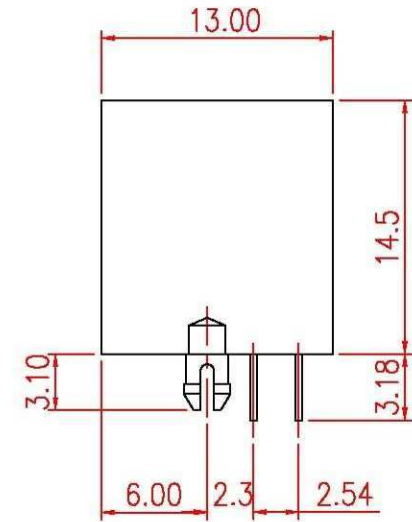
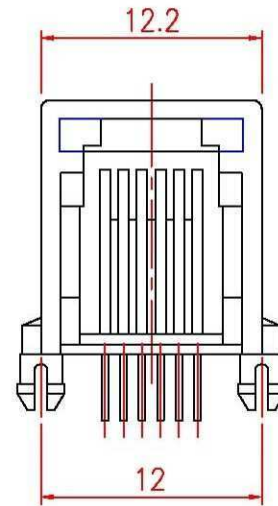
G

H

H



PCB Layout



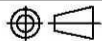

### Materials

**Housing:** Glass Filled Polyester UL94V-0,Black

**Contact:** 0.45mm Diameter Phosphor Bronze Gold Plating Over Nickel

RoHS Compliant

玄茂科技股份有限公司

APPD. 核准		TOLERANCE 容許公差		PART NAME 品名
CHK. 校對		UNIT 單位	M M	
DWG. 製圖		SCALE 比例	A 4	PART NO. 圖號
DATE 制表日: 2006/04/20		SHEET 張數	1 OF 1	

1 2 3 4 5 6 7 8