



HESTORE.HU

elektronikai alkatrész áruház

EN: This Datasheet is presented by the manufacturer.

Please visit our website for pricing and availability at www.hestore.hu.

GD3500-M

MP3 player module, UART, 4MB SPI flash, 3.5...5V DC

hestore no.: 100.446.43

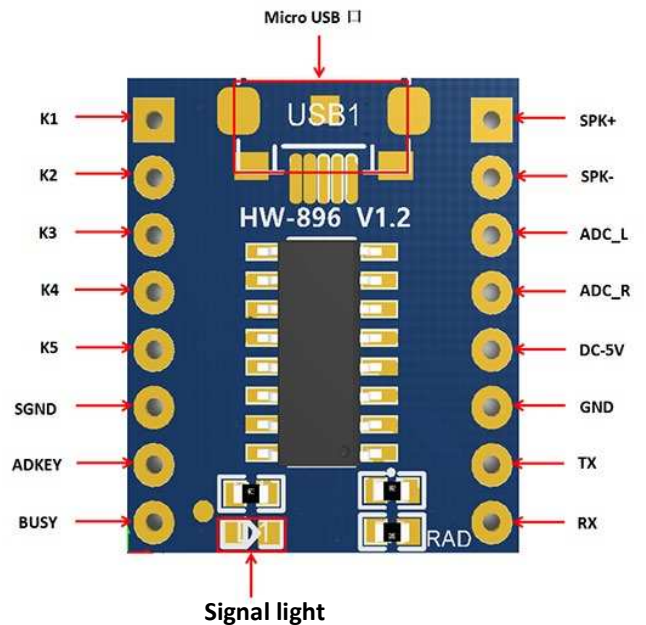
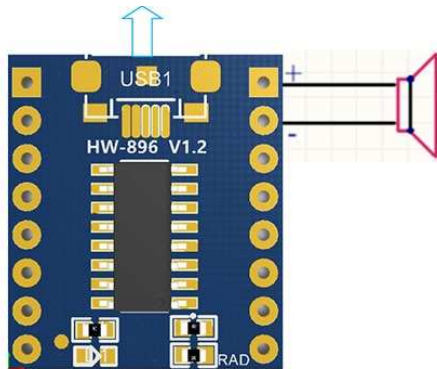


The module contains an MP3 chip that provides a serial port and perfectly integrates hardware decoding of MP3 and WAV. At the same time, the software supports SD card drive, supports direct update of SPI flash content via computer, and supports FAT16, FAT32 file systems. Functions such as playing specified music can be performed with a simple serial port command without the need for cumbersome underlying operations.

Features:

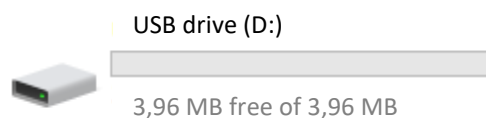
1. Supported sampling rate (KHz): 8/11.025/12/16/22.05/24/32/44.1/48
2. 24-bit DAC output, dynamic range supports 90dB, signal-to-noise ratio supports 85dB
3. Fully support FAT16, FAT32 file system
4. A variety of control modes, serial port mode, AD button control mode. Broadcast language insertion function, you can pause the background music being played
5. External 32Mbits (4M) SPI flash memory, connected to a computer can display the drive letter of SPI flash to update the content:
6. You can control and play the specified music through the serial port of the microcontroller:
7. In the button mode, you can choose the playback mode: pulse repeatable, pulse non-repeatable, level non-holding can loop ,Level hold can be looped
8. Built-in Micro USB interface
9. On-board signal indicator LED

After connecting a speaker as shown in the figure below, connect the module to the computer using a USB cable, play music on the computer, and the sound will come from the speaker connected to the module.



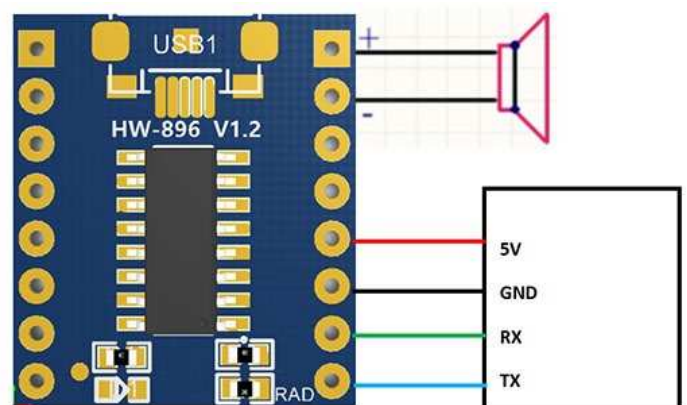
Pin number	Pin name	Functional description	Remark
1	K1	Corresponding to the 1st audio	Trigger to ground to play the 1st audio
2	K2	Corresponding to the 2nd audio	Trigger to ground to play the 2nd audio
3	K3	Corresponding to the 3rd audio	Trigger to ground to play the 3rd audio
4	K4	Corresponding to the 4th audio	Trigger to ground to play the 4th audio
5	K5	Corresponding to the 5th audio	Trigger to ground to play the 5th audio
6	SGND	Ground	
7	ADKEY	AD KEY	
8	BUSY	Play light	
9	RX	UART serial data input	
10	TX	UART serial data output	
11	GND	Ground	
12	DC- 5V	Module power input	3.5...5V DC
13	ADC_R	Audio output right channel	Drive headphones or power amplifier
14	ADC_L	Audio output left channel	Drive headphones or power amplifier
15	SPK-	Speaker -	Directly drive speakers below 1W / 8Ω
16	SPK+	Speaker +	Directly drive speakers below 1W / 8 Ω

When you connect the module to the computer, a USB drive will pop up in „My computer”.



After you format the drive, you can copy the audio files to it.

Connect the wires with the serial port module as follows, then open the serial port software and configure it.



With the connection below, you can play audio file 1, 2, 3, 4 or 5 using push buttons.

