



**HESTORE.HU**

elektronikai alkatrész áruház

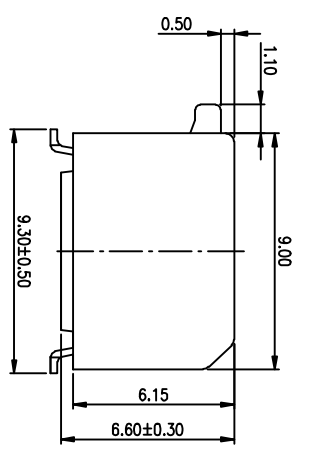
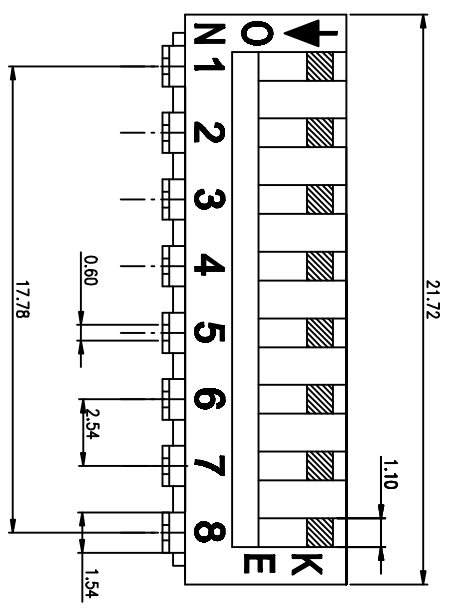
**EN:** This Datasheet is presented by the manufacturer.

Please visit our website for pricing and availability at [www.hestore.hu](http://www.hestore.hu).

PRODUCT NO. DSPV08LSCGT  
RoHS compliant

NOTES : 1 Specification:  
1>.Operating force:10000gf Max  
2>.Operating Temperature: -40° to+85°  
3>.Storage Temperature: -40° to+85°  
4>.Mechanical Life:3000cycles minimum  
5>Electrical Life:2000cycles minimum

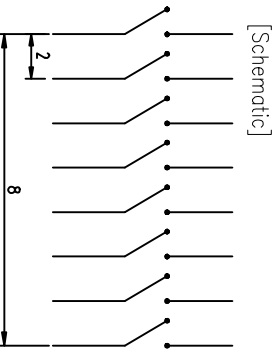
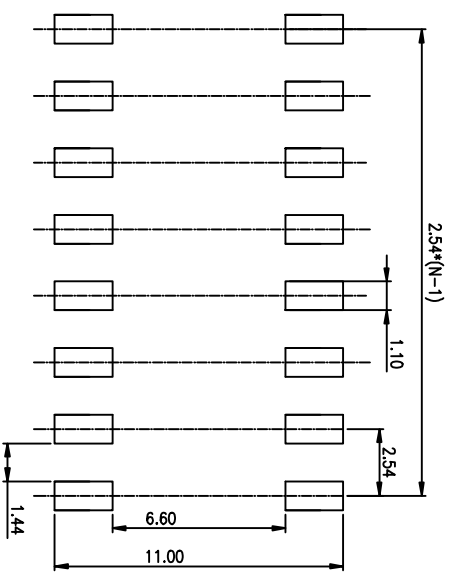
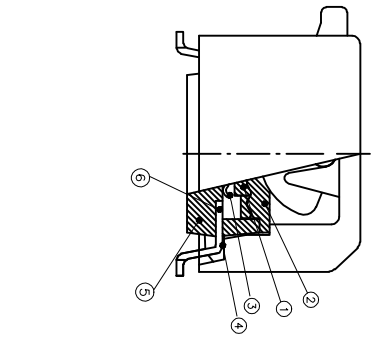
REV.	ECN NO.	DR	DATE



- CONTACT RATING:  
1. SWITCHING: 25mA at 24VDC  
2. NON-SWITCHING: 100mA at 50VDC  
WITH 50u" NICKEL UNDERPLATINGOVERALL.
- PLATING:  
GOLD FLASH 1u"(min.) SOLDER TALL,  
3u" GOLD PLATING ON THE CONTACT AREA,  
WITH 50u" NICKEL UNDERPLATINGOVERALL.

4. PART NUMBER DESCRIPTION :

DS XX I S G E T  
 [Packing: T=Tube R=Reel]  
 [Finish: F=3u" Gold-plated F=10u" Gold-plated]  
 [Finish: G=Full Gold S=Contact-Gold-plated]  
 [Terminal: S=SMD type B=Strait:.....]  
 [Actuator: T=Tape sealed S=Low profile W/O Tape L=Extension]  
 [HP=Half Pitch IC=IC type PV=Plano type]



Number	Part Name	Material	Finished
①	Actuator	UL94 V0	White
②	Cover	UL94 V0	Black
③	Movable	Copper Alloy	3u" Gold
④	Terminal	Brass	1u" Gold
⑤	Base	UL94 V0	Black
⑥	Terminal Contact	Brass	3u" Gold

TOLERANCE UNLESS OTHERWISE SPECIFIED		INSPECTION COPY	
LINER	ANGLES	PROJECTION	
0 ± 0.25	0 ± 2'		
.00 ± 0.15	.0 ± 1'		
.000 ± 0.10	.00 ± 0.5'		
DESIGN	kathy	03/20/12'	
DRAWING			
CHECK			
APPRO.			

<p>东莞市广睿实业有限公司 Dongguan Kingtek Industrial Co., Ltd.</p>	
BY DSPV SERIES PITCH 2.54mm PRODUCT FAMILY DSPV SERIES PRAT NO. DSPV08LSCGT	
FILE NO.	DSPV08LSCGT-A
SIZE	UNIT SCALE SHEET REV.
A4	mm 2 : 1 TOP 1 A