



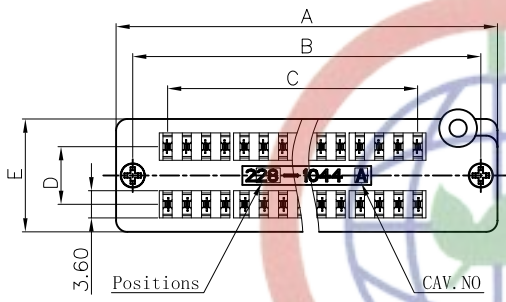
HESTORE.HU

elektronikai alkatrész áruház

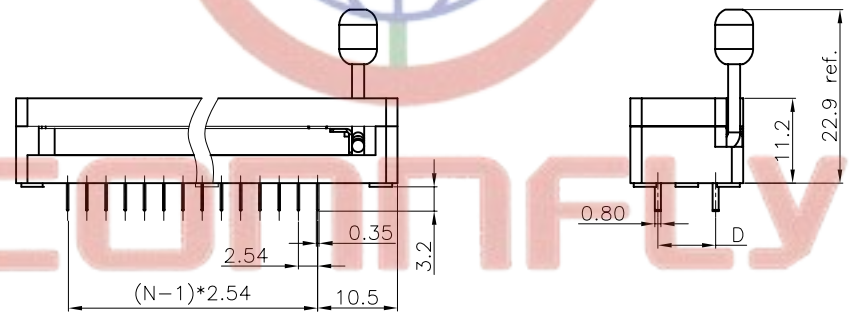
EN: This Datasheet is presented by the manufacturer.

Please visit our website for pricing and availability at www.hestore.hu.

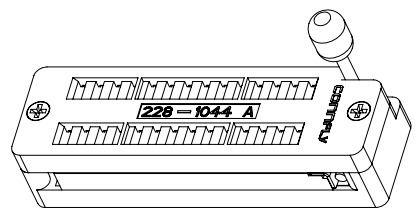
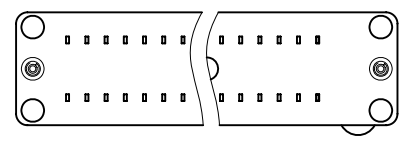
REV.	DESCRIPTION	DRAWN	CHECKED	APPROVED
A	NEW RELEASE	DMJ 06/07/07'	~	LJC 06/07/07'
B	修改表格尺寸	YCH 09/17/07'	~	



Positions	A	B	C	D	E
14	32.6	28.2	15.24	7.62	14.9
16	35.1	30.7	17.78	7.62	14.9
20	40.2	35.8	22.86	7.62	14.9
24	45.3	40.9	27.94	7.62	14.9
28	50.4	46.0	33.02	7.62	14.9
32	55.5	51.1	38.10	15.24	22.9
40	65.6	61.2	48.26	15.24	22.9
48	75.8	71.4	58.42	15.24	22.9



N=No. of contacts/2



1. FEATURES

- 1.1. Compact mechanical construction to ensure long term life.
- 1.2. Zero insertion and extraction pressure.
- 1.3. standard 0.100(2.54mm) IC pitch, easy to mount in PC board.
- 1.4. All plastics are UL 94v-0 grade fire retardant.
- 1.5. Gold plated contact to ensure low contact resistance and long operation life.

2. SPECIFICATION

- 2.1. ELECTRICAL:
 - 2.1.1. Rating:50VDC,100mA.
 - 2.1.2. Contact Resistance: 50mΩ Max.
 - 2.1.3. Insulation Resistance:1000MΩ Min.
 - 2.1.4. Dielectric withstanding volatage:500VDC min. for 60 seconds.Capacitance between adjacent contacts.
- 2.2. MECHANICAL AND ENVIRONMENTAL
 - 2.2.1. Temperature Rating:
 - 2.2.2. Operating:-40°C to +105°C
 - 2.2.4. Durability:25,000 cycles(with load)
 - 2.2.5. Humidity:95%RH,40°C for 48 Hrs.
 - 2.2.6. Solderability:After flux 230°C for 5±0.5 Seconds,95% coverage
 - 2.2.7. Soldering Heat:260±5°C for 5±1 Seconds.

3. PRODUCT NUMBER CODE:

DS1044 - X X X

- Housing color
 - L: Blue
 - B: Black
 - G: Green
- Contact plating
 - F: Full 3u" gold
 - 0: Full gold flash
 - 6: Full Tin
- No. of contacts
 - 14 16 18 20 24
 - 28 32 40 48

Tel:86-574-
 Fax:86-574-
 E-mail:sale
 Http://www
 Add:East
 Town
 P.C.515333

GENERAL TOLERANCE	ANGLE TOLERANCE	PROJECTION		TITLE	ZIF SOCKET	
X. ±0.60	X. ±5'	UNITS	mm	SHEET	DS1044 SERIES	
.X ±0.38	.X ±3'	SHEET SIZE	A4			
.XX ±0.25	.XX ±2'					
DRAWING TYPE	CUSTOMER					
SCALE	1:1	SHEET	晨翔电子有限公司			
DRAWING NO.	C-DS1044-XXX	1 OF 1		CONNFLY CONNFLY ELECTRONIC CO. LTD		