

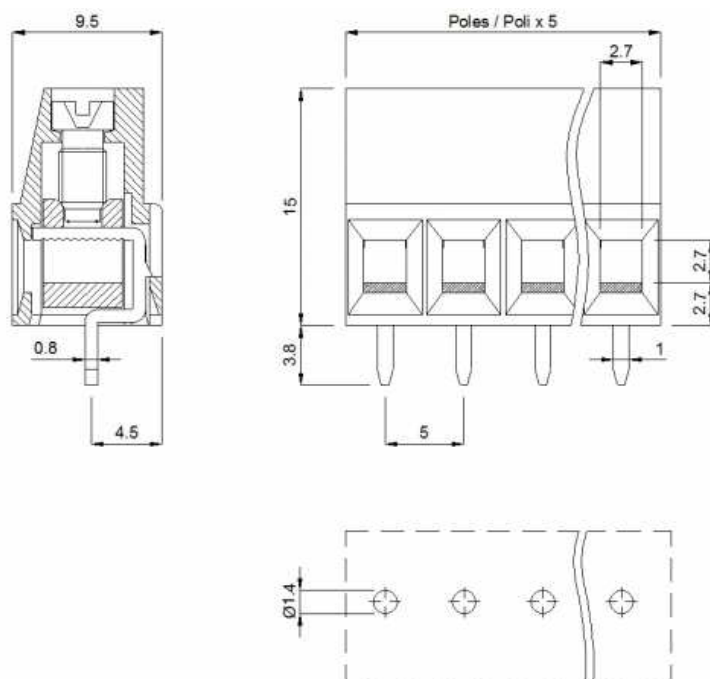
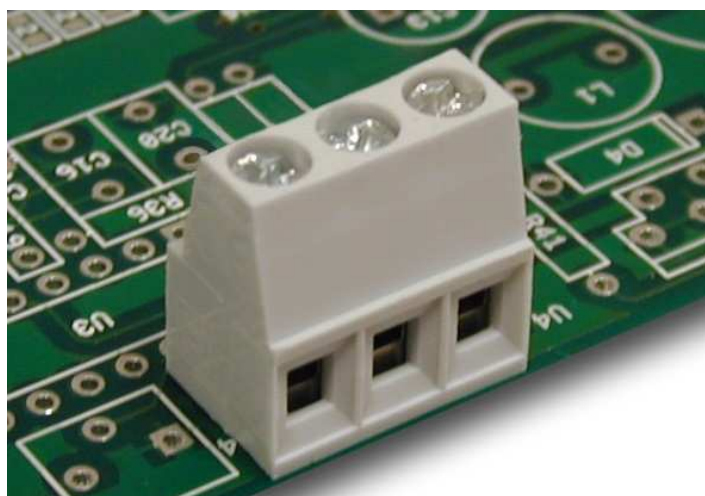


**HESTORE.HU**

elektronikai alkatrész áruház

**EN:** This Datasheet is presented by the manufacturer.

Please visit our website for pricing and availability at [www.hestore.hu](http://www.hestore.hu).



## Single-deck terminal block - Stackable version - Pitch 5mm - 2÷3 poles

### GENERAL INFORMATION

|                        |                              |
|------------------------|------------------------------|
| pitch:                 | 5 mm                         |
| housing height:        | 15,00 mm                     |
| housing depth:         | 9.5 mm                       |
| dimensional class:     | medium                       |
| wire section:          | 2.5 mm <sup>2</sup> / 14 AWG |
| clamp opening size:    | 2.7 × 2.7 mm                 |
| wire stripping:        | max 7 mm                     |
| operating temperature: | -40°C ÷ +130°C               |

### ELECTRICAL CHARACTERISTICS

|               |             |
|---------------|-------------|
| current:      | 16A         |
| voltage:      | 250V        |
| test voltage: | 2 kVrms/60s |

### MECHANICAL CHARACTERISTICS

|              |                     |
|--------------|---------------------|
| screw:       | M3                  |
| max. torque: | 0.5 Nm / 4.5 in.lbs |

### APPROVALS DATA



EN 60998-1

|               |                    |
|---------------|--------------------|
| current:      | 16A                |
| voltage:      | 250V               |
| wire section: | 2.5mm <sup>2</sup> |
| torque:       | 0.5Nm              |
| FILE:         | CA02.01614         |



-

-

-

-

-

-



|                         |
|-------------------------|
| UL 1059                 |
| 15A factory / 15A field |
| 300V                    |
| 12÷30AWG                |
| 4.5Lb-in                |
| E178356                 |

### MATERIALS

|          |                  |
|----------|------------------|
| housing: | PA - UL 94 V0    |
| screw:   | Galvanized steel |

### AVAILABLE COLOURS



clamp/spring:  
terminal:

Nickel-coated copper alloy  
Tin-plated copper alloy

other colours:

upon request

| poles | P/N         | pcs/pack | W [Kg]* | W [Kg]* |
|-------|-------------|----------|---------|---------|
| 2     | ML252-5-V-L | N/A      | N/A     | N/A     |
| 3     | ML253-5-V-L | N/A      | N/A     | N/A     |
| 4     | ML254-5-V-L | N/A      | N/A     | N/A     |