



HESTORE.HU

elektronikai alkatrész áruház

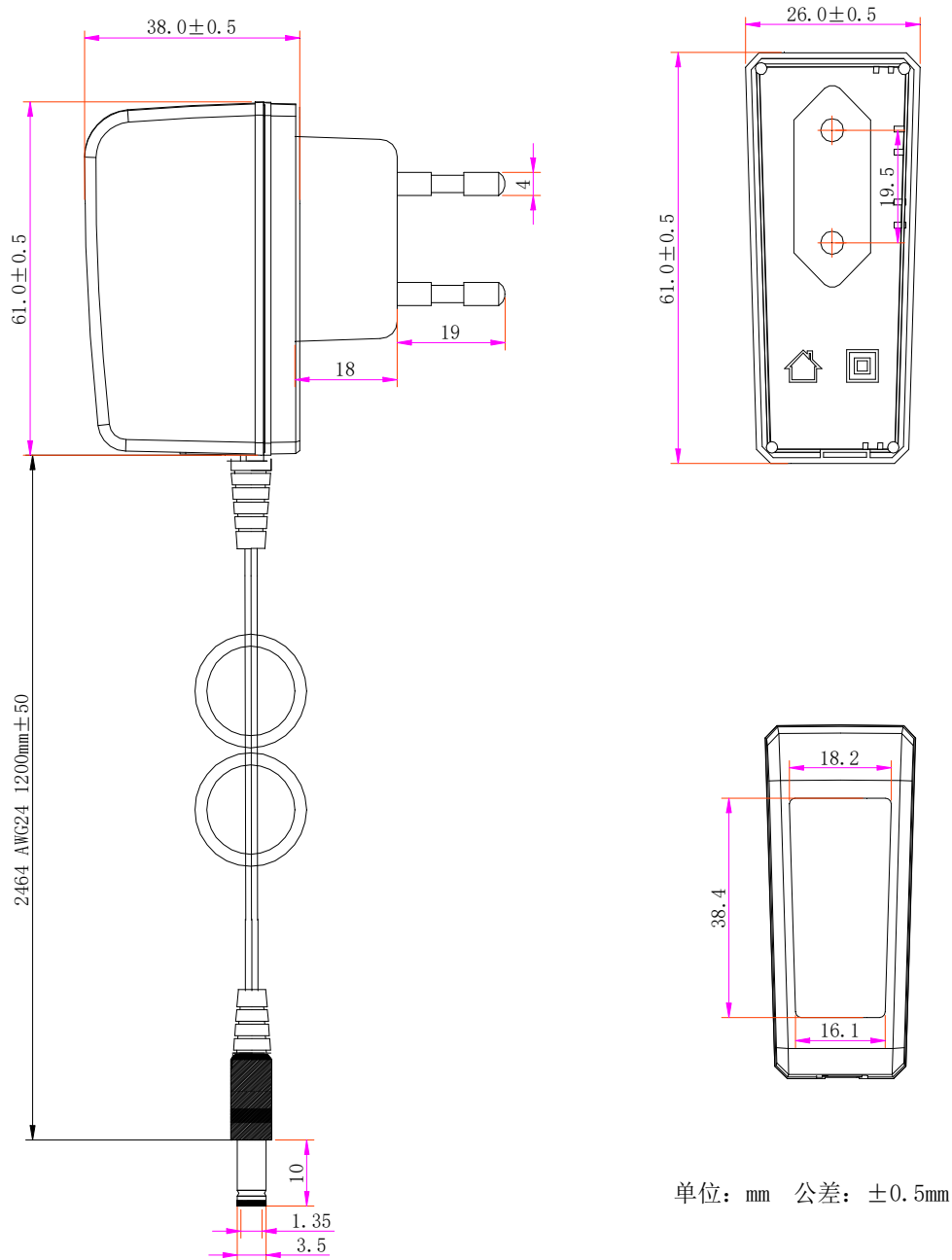
EN: This Datasheet is presented by the manufacturer.

Please visit our website for pricing and availability at www.hestore.hu.

SWITCHING ADAPTER SPECIFICATIONS

14. OUTLOOK DRAWIN

外观图

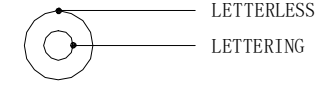
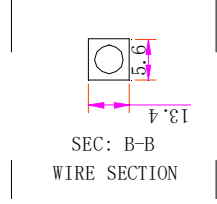


单位: mm 公差: ± 0.5 mm

15. OUTPUT WIRE & PLUG SPECIFICATION

输出线材规格及 PLUG 规格

1. CORD MATERIAL:2464 AWG24*2C.
2. DC PLUG TPYE:3.5*1.35*10mm 直头音叉
3. INSULATION:PVC 3.5mm diameter
4. OUT JACKET:PVC. COLOR:Black.
5. TEMPERATURE:80° C.
6. Unit:mm



TEST MODE:
DC3.5*1.35MALE
(TUNING FORK BLACK)

