



**HESTORE.HU**

elektronikai alkatrész áruház

**EN:** This Datasheet is presented by the manufacturer.

Please visit our website for pricing and availability at [www.hestore.hu](http://www.hestore.hu).

# 3528 SMD LED

RoHS  
Compliant



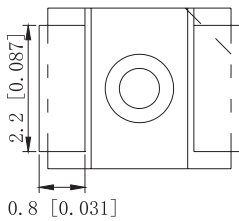
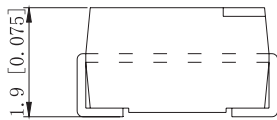
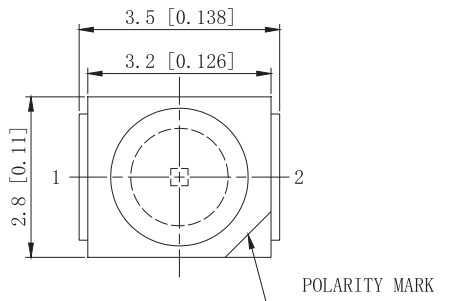
## Features

- 3.5mm × 2.8mm SMD LED, 1.9mm Thickness.
- Wide Viewing Angle.
- Ideal For Backlight And Indicator.

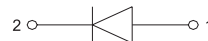
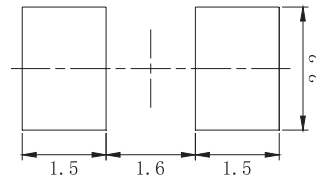
## Applications

- Automotive: Backlighting in dashboard and switch.
- Telecommunication: Indicator and Backlighting in telephone and fax.
- Flat Backlight for LCD switch and symbol.

## Package Dimensions



## Recommended soldering pattern



Dimensions : Millimetres

## Notes

1. All dimensions are in millimeters.
2. Tolerance is  $\pm 0.25$  unless otherwise noted.
3. Specifications are subject to change without notice.