



HESTORE.HU

elektronikai alkatrész áruház

EN: This Datasheet is presented by the manufacturer.

Please visit our website for pricing and availability at www.hestore.hu.

Data sheet | Item number: 216-106

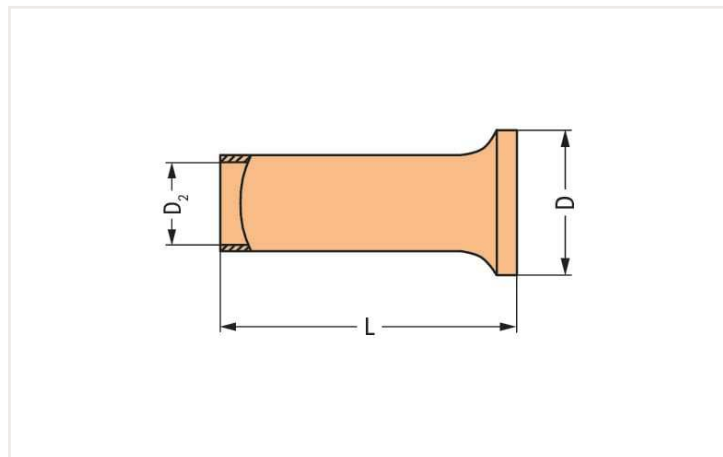
Ferrule; Sleeve for 2.5 mm² / AWG 14; uninsulated; electro-tin plated; silver-colored



<https://www.wago.com/216-106>



Color: silver-colored



Dimensions in mm

Technical data

Main product function	Ferrule
Sleeve cross-section (AWG)	14 AWG
Sleeve for	2.5 mm ²

Connection data

Strip length	10 mm / 0.39 inches
--------------	---------------------

Physical data

Length	10 mm
Diameter	3.4 mm
Diameter 2	2.2 mm

Material Data

Color	silver-colored
Fire load	0 MJ
Weight	0.1 g

Commercial data

Product Group	2 (Terminal Block Accessories)
eCl@ss 10.0	27-40-02-01
eCl@ss 9.0	27-40-02-01
ETIM 8.0	EC000005
ETIM 7.0	EC000005
PU (SPU)	5000 (1000) pcs
Packaging type	Box
Country of origin	DE
GTIN	4017332277686
Customs tariff number	85369010000

Downloads

Environmental Product Compliance

Compliance Search

Environmental Product
Compliance 216-106



Documentation

Bid Text

216-106	11.09.2017	doc 24.00 KB	
216-106	19.02.2019	xml 2.77 KB	

Installation notes

A perfect gas-tight crimp – both electrical-
ly and mechanically reliable