

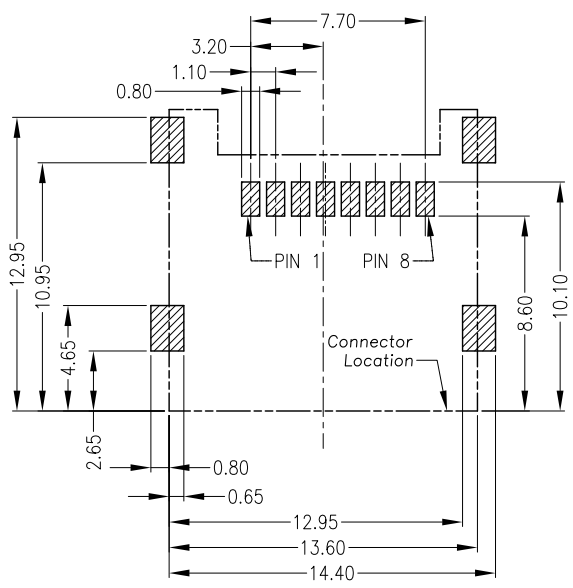
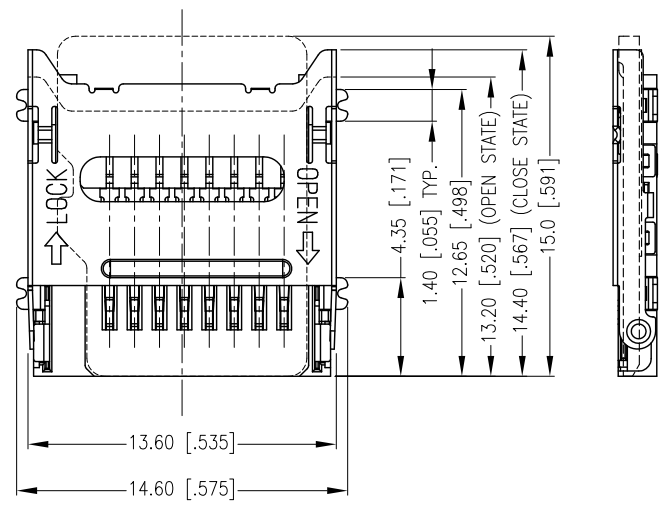
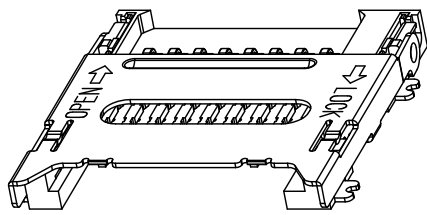
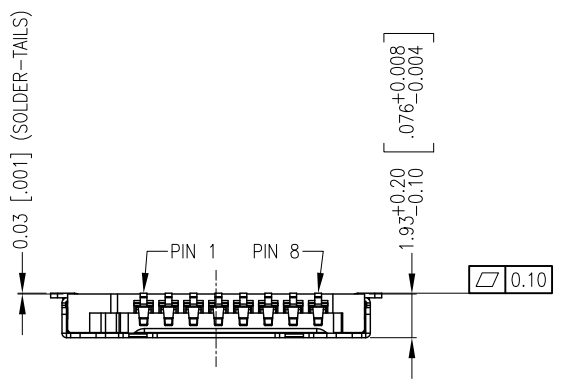


HESTORE.HU

elektronikai alkatrész áruház

EN: This Datasheet is presented by the manufacturer.

Please visit our website for pricing and availability at www.hestore.hu.



RECOMMEND P.C.B. LAYOUT
TOLERANCE ± 0.05
TOP VIEW

MATERIALS

- HOUSING : HI.-TEMP PLASTIC (UL 94V-0).BLACK.
- TERMINAL : COPPER ALLOY.
GOLD PLATED OVERALL (T=0.15).
- FORK : STAINLESS STEEL. (t=0.20mm)
TIN PLATED OVERALL.
- SHELL : STAINLESS STEEL (t=0.20mm)

SPECIFICATION

- CURRENT RATING : 0.5 A MAX.
- DIELECTRIC WITHSTANDING VOLTAGE :
500V AC R.M.S. FOR ONE MINUTE.
- INSULATION RESISTANCE : 1000M Ω MIN. AT 500V DC.
- CONTACT RESISTANCE : 30m Ω MAX.
- OPERATING TEMPERATURE : -25°C TO +85°C.

112C-T X A R-R01
1 2 3 4

- Type
T:Top mount
- Contact plating
B:10u"gold plating
D:Gold Flash
- Stand off Dimention
A:0mm
- RoHS

PIN NO.	NAME	TYPE ¹	DESCRIPTION
1	DAT2	I/O/PP	Data Line [bit2]
2	CD/DAT3	I/O/PP	Card Detect Data Line [bit3]
3	CMD	PP	Command Response
4	VDD	S	Supply Votage
5	CLK	I	Clock
6	VSS	S	Supply Voltage Ground
7	DAT0	I/O/PP	Data Line [bit0]
8	DAT1 ²	I/O/PP	Data Line [bit1]

UNLESS OTHERWISE SPECIFIED TOLERANCE	
ANG.	$\pm 5^\circ$
0.	\pm
.0	± 0.25
.00	± 0.20
SCALE: AS SHOWN	UNIT: mm
DRAWN Willis	2007/4/13
CHECKED / /	
APPROVED / /	
SIZE A4	REV.

Attend
ATTEND TECHNOLOGY INC.
www.attend.com.tw

DRAWN NAME: Micro SD Socket
Hinge Type
PRODUCT NO. 112C-TXAR-R01
FILE NAME: 112C-TXAR-R01

REV.	DESCRIPTION	DATE
1		
2		
3		
4		
5		
6		
7		