



HESTORE.HU

elektronikai alkatrész áruház

EN: This Datasheet is presented by the manufacturer.

Please visit our website for pricing and availability at www.hestore.hu.

1 2 3 4 5 6 7 8 9 10

G

F

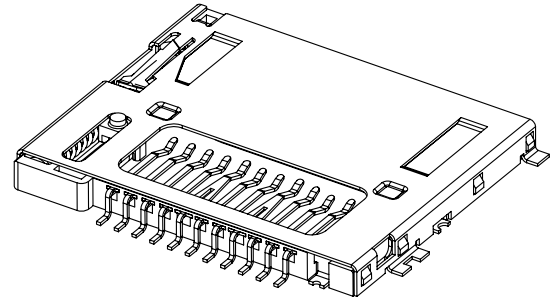
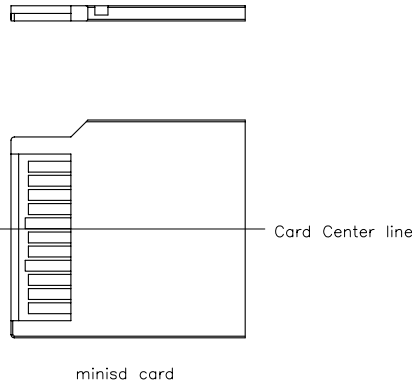
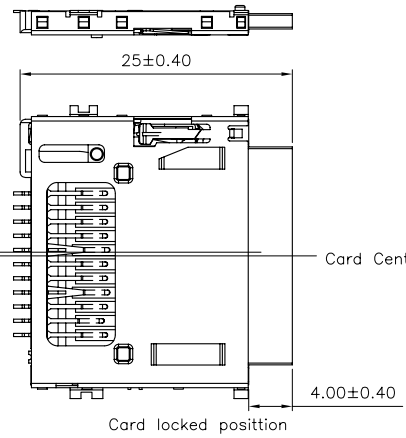
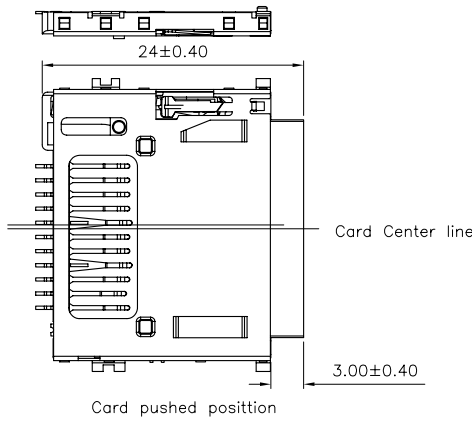
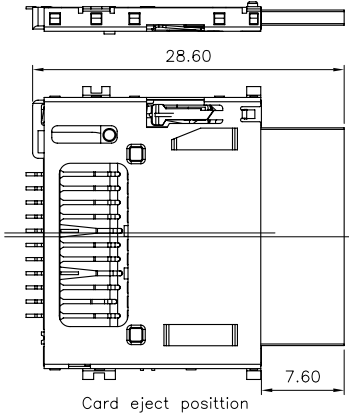
E

D

C

B

A



UNLESS OTHERWISE SPECIFIED TOLERANCE	
ANG.	±5°
0.	±
.0	±0.25
.00	±0.20

Attend
 ATTEND TECHNOLOGY INC.
 www.attend.com.tw

SCALE: AS SHOWN	UNIT: mm
DRAWN Willis	2007/1/4
CHECKED	/ /
APPROVED	/ /

DRAWN NAME: Mini SD Socket
Push-Push Type, Reverse Mount
PRODUCT NO. 109D-RAA0-R
FILE NAME: 109D-RAA0-R

REV.	DESCRIPTION	DATE	SIZE	REV.
1			A4	

1 2 3 4 5 6 7 8 9 10