



**HESTORE.HU**

elektronikai alkatrész áruház

**EN:** This Datasheet is presented by the manufacturer.

Please visit our website for pricing and availability at [www.hestore.hu](http://www.hestore.hu).



REV.	ECN NO.	REVISED	DATE

NOTE:

1.MATERIAL:

- a.HOUSING:PBT UL 94V-0
- b.CONTACT:PHOSPHOR BRONZE  
(SURFACE PLATING:Ni=100u"-120u")

SEE ORDERING INFORMATION

2.ELECTRIC:

- a.CONTACT RESISTANCE: 100 MILLIOHMS MAX
- b.INSULATION RESISTANCE: 100 MEGA OHMS MIN
- c.DIELECTNIC VOLTAGE: 500V AC ONE SEC LEVEL
- d.OPERATING TEMPERATURE: -25°C~ +85°C

ORDERING INFORMATION

**BS-02-A1AK010**

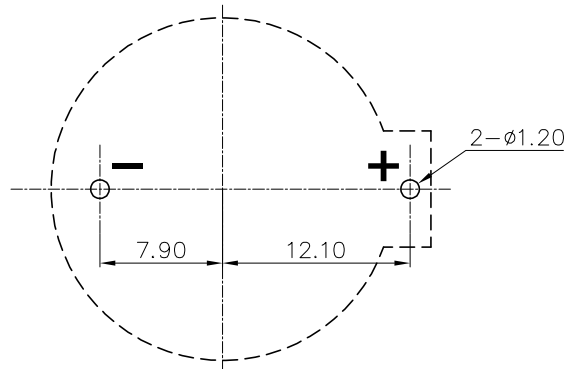
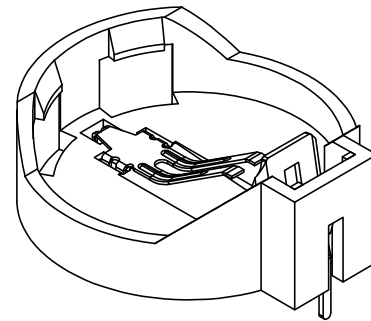
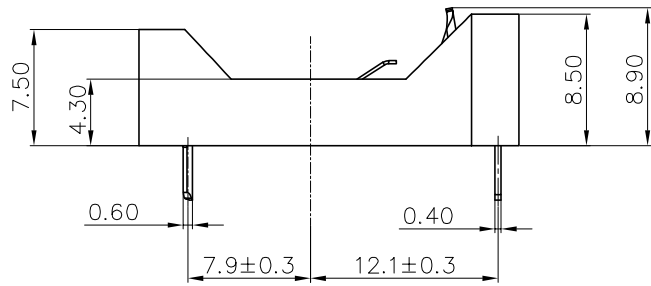
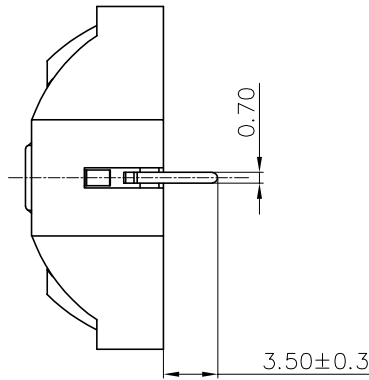
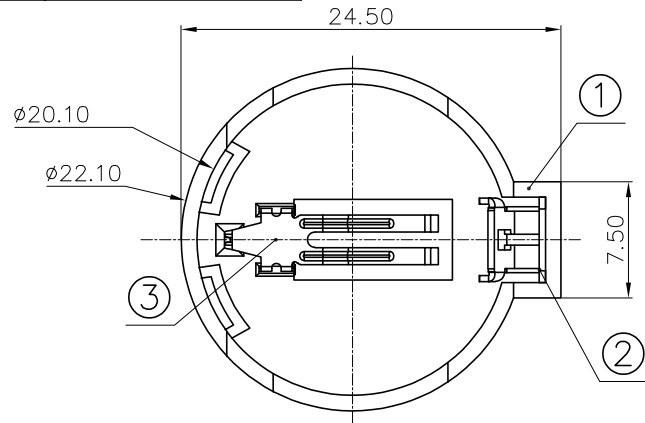
电池座系列

BS-02系列

DIP 90° TYPE

PLATING:  
A-Au1U"  
J-Ni100U"~120U"  
K-Sn100U"~120U"

MATERIAL:  
1A-PBT BLACK  
1B-PA66 BLACK  
2A-PPA BROWN  
2B-PPA BLACK  
3A-PPS BROWN  
3B-PPS BLACK  
4A-LCP WHITE  
4B-LCP BLACK



PCB Layout Diagram  
Top View

3	TERMINAL(-)	1	PHOSPHOR BRONZE, T=0.20mm	Ni-Plating
2	TERMINAL(+)	1	PHOSPHOR BRONZE, T=0.40mm	Ni-Plating
1	HOUSING	1	PBT	BLACK
NO.	PART NAME	Q'TY	MATERIAL	PLATING & COLOR

UNLESS OTHERWISE SPECIFIED TOLERANCES		<b>MYOUNG 美用</b> <a href="http://www.meiyangdz.com">www.meiyangdz.com</a>			
DECIMALS: X :±0.30 X.X :±0.25 X.XX :±0.20 X.XXX :±0.10	ANGLES: X :±1° X.X :±0.5°	DSND	YangFeng	DATE	2022-10-07
		CHKD	ZhouRuicai	DATE	2022-10-07
		APVD	XueShun Yong	DATE	2022-10-07
WEIGHT:		SCALE:	SIZE: A4	VIEW:	⊙ ⊚
SHEET 1 OF 1		UNIT: mm	REV.: A/1	OBJECT: MY	DRAW NO.:MY-CP-0325
		TITLE:		BS-2032-2-1 Ni DIP 环保	
		PART NO.:		BS-02-A1AJ010	