



HESTORE.HU

elektronikai alkatrész áruház

EN: This Datasheet is presented by the manufacturer.

Please visit our website for pricing and availability at www.hestore.hu.

4

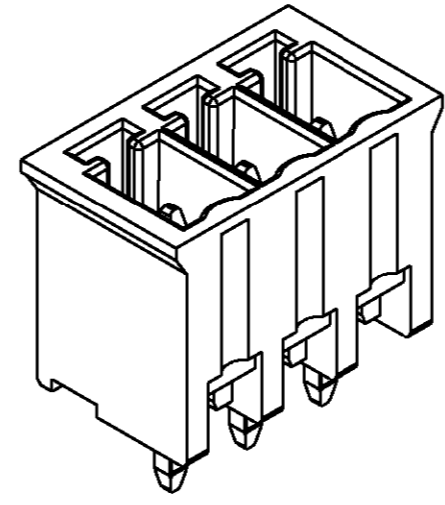
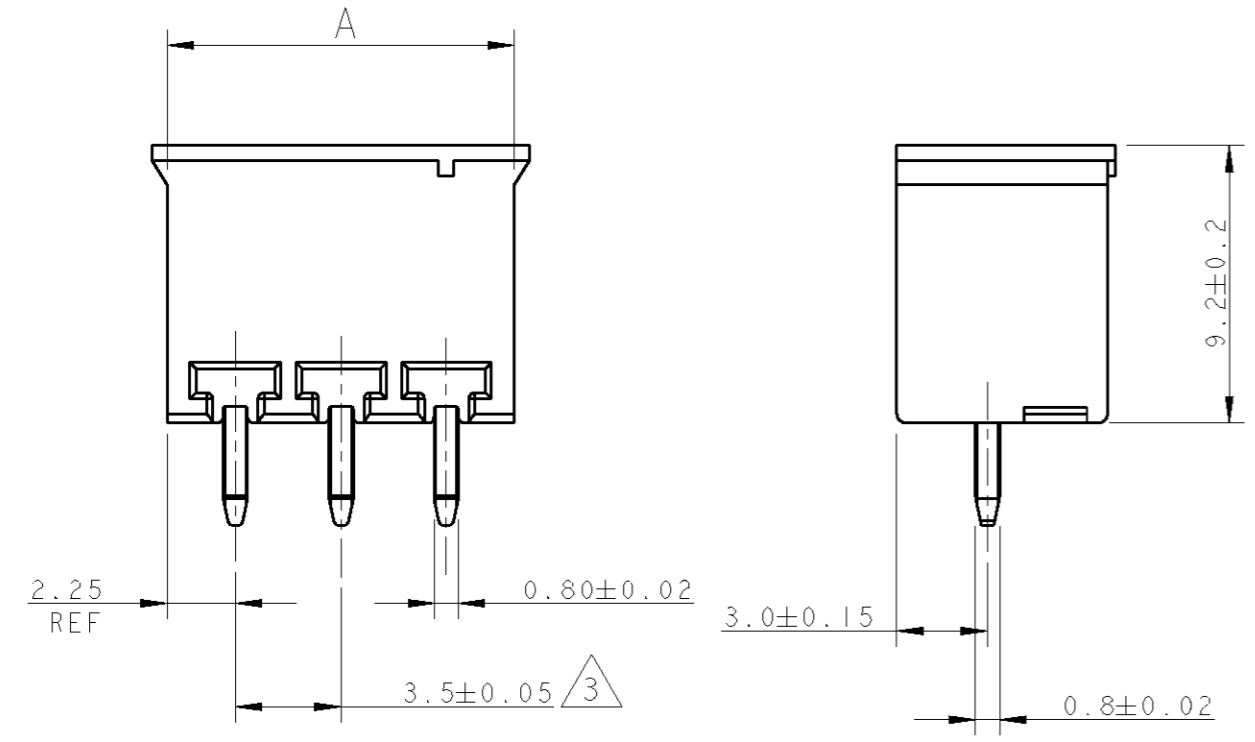
3

2

1

THIS DRAWING IS UNPUBLISHED. RELEASED FOR PUBLICATION 20
 © COPYRIGHT 20 BY TYCO ELECTRONICS CORPORATION. ALL RIGHTS RESERVED.

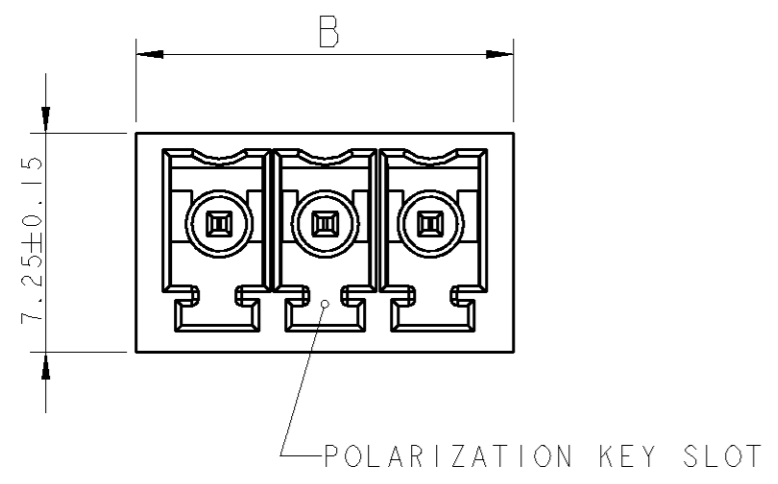
LOC	DIST	REVISIONS			
P	LTR	DESCRIPTION	DATE	DWN	APVD
	B	REVISED PER 0G3B-0119-01	06FEB2002	EZ	DB
	C	REVISED EC 0G3B-0401-04	02JUN2004	SW	CR



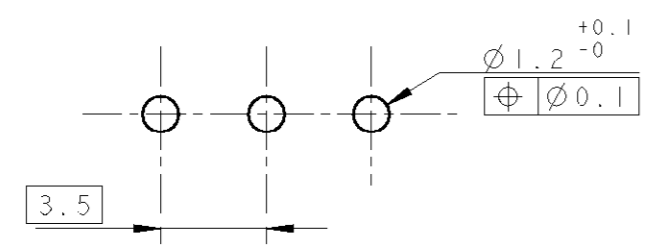
284514-3 AS SHOWN

89.5	88.5	25	2-284514-5
86.0	85.0	24	2-284514-4
82.5	81.5	23	2-284514-3
79.0	78.0	22	2-284514-2
75.5	74.5	21	2-284514-1
72.0	71.0	20	2-284514-0
68.5	67.5	19	1-284514-9
65.0	64.0	18	1-284514-8
61.5	60.5	17	1-284514-7
58.0	57.0	16	1-284514-6
54.5	53.5	15	1-284514-5
51.0	50.0	14	1-284514-4
47.5	46.5	13	1-284514-3
44.0	43.0	12	1-284514-2
40.5	39.5	11	1-284514-1
37.0	36.0	10	1-284514-0
33.5	32.5	9	284514-9
30.0	29.0	8	284514-8
26.5	25.5	7	284514-7
23.0	22.0	6	284514-6
19.5	18.5	5	284514-5
16.0	15.0	4	284514-4
12.5	11.5	3	284514-3
9.0	8.0	2	284514-2

B	A	NO OF POSN	PART NUMBER
---	---	------------	-------------



- 1 MATERIALS AND FINISH
 HOUSING : PA 6.6, UL 94-V0, COLOR GREEN
 TERMINAL : PHOSPHOR BRONZE, TIN PLATED
- 2 SUITABLE FOR 1.6-2.4 mm. PC BOARD THICKNESS
- 3 NOT CUMULATIVE TOLERANCE



RECOMMENDED PC BOARD LAYOUT

<small>THIS DRAWING IS A CONTROLLED DOCUMENT FOR TYCO ELECTRONICS CORPORATION IT IS SUBJECT TO CHANGE AND THE CONTROLLING ENGINEERING ORGANIZATION SHOULD BE CONTACTED FOR THE LATEST REVISION.</small>		DWN 06FEB2002 E. ZANOLINI CHK 06FEB2002 E. ZANOLINI APVD 06FEB2002 D. BIEVENOUR		BUCHANAN Tyco Electronics Harrisburg, PA 17105-3608	
DIMENSIONS: mm		TOLERANCES UNLESS OTHERWISE SPECIFIED: 0 PLC ±- 1 PLC ±.3 2 PLC ±.25 3 PLC ±- 4 PLC ±- ANGLES ±2		NAME TERMINAL BLOCK, HEADER ASSEMBLY STRAIGHT, CLOSED ENDS 3.5mm PITCH	
MATERIAL 1		FINISH 1		PRODUCT SPEC 108-20166 APPLICATION SPEC 114-20079 WEIGHT -	
CUSTOMER DRAWING				SIZE A3 CAGE CODE 00779 DRAWING NO C-284514 RESTRICTED TO -	
SCALE 4:1				SHEET 1 OF 1 REV C	