

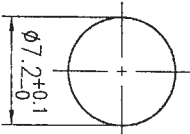



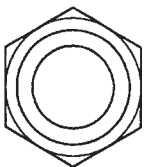
HESTORE.HU

elektronikai alkatrész áruház


EN: This Datasheet is presented by the manufacturer.

Please visit our website for pricing and availability at www.hestore.hu.

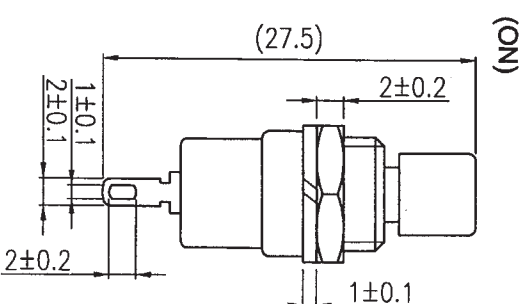
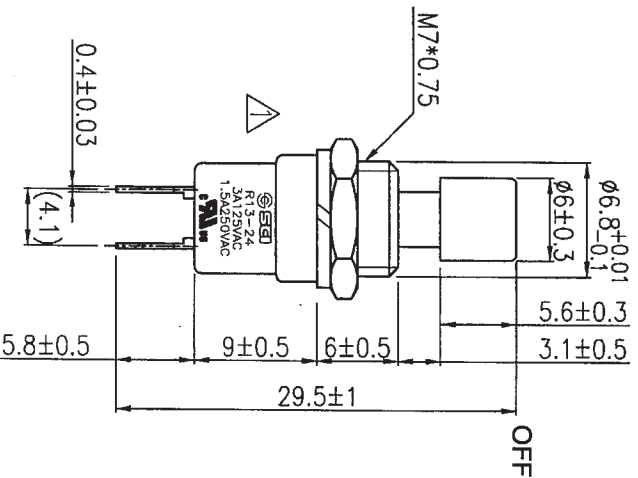
Rating	3A 125V AC 1.5A 250V AC	RL us	Mounting Hole	Circuit Diagram
Contact Resistance	50m ohm Max			
Insulation Resistance	DC 500V 100M ohm Min.			
Dielectric Strength	AC 1000V 1 minute			
Switch Function	2P SPST OFF-(ON)			



Material:
Housing: PBT, Black
Button: ABS, Green
Slider: ABS, White



1 HEX NUT ASSY
1 SPRING WASHER ASSY



08/06/13	柳新強	依BOM表及實物修正按鍵顏色, White=>Green								
07/02/12	柳新強	增加SCI LOGO								
Date	Name	Description								
Drawn	Checked	Approved	SCI BOM No.	1830036	Model Name	PUSH SWITCH				
柳新強	待新強	Shin	Customer No.		Model No.	R13-24A-05-WH				Rev.
08/06/13	8/6-13	8/12-13	Unit	mm	Shin Chin Industrial Co., Ltd.					2