



HESTORE.HU

elektronikai alkatrész áruház

EN: This Datasheet is presented by the manufacturer.

Please visit our website for pricing and availability at www.hestore.hu.

Lead taping radial lead type

● Dimensions

Case size (mm) $\phi D \times L$	Lead space (F)		
	2.5 mm	5.0 mm	7.5 mm
4 × 5, 7	B	A	
5 × 5, 7	B	A	
6.3 × 5, 7	C	A	
8 × 5, 7	C	E	
5 × 11	C	D	
6.3 × 11.2, 15	C	D	
8 × 11.5, 15, 20		E	
10 × 12.5, 16, 20, 25		F	
12.5 × 15, 20, 25		G	
16 × 15, 20, 25			H
18 × 15, 20, 25			H

Figure A (Lead space: 5.0 mm / $\phi D \times L$: $\phi 4 \times 5, 7, \phi 5 \times 5, 7, \phi 6.3 \times 5, 7$)

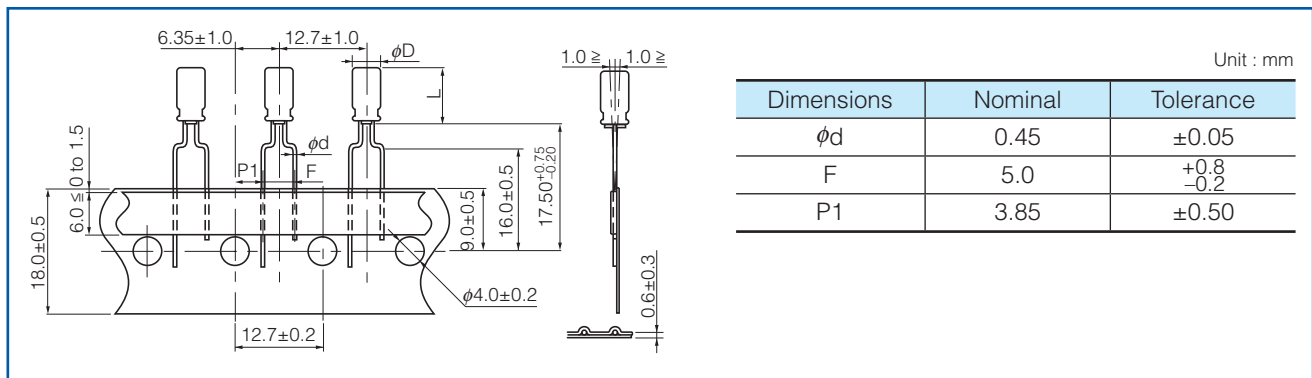


Figure B (Lead space: 2.5 mm / $\phi D \times L$: $\phi 4 \times 5, 7, \phi 5 \times 5, 7$)

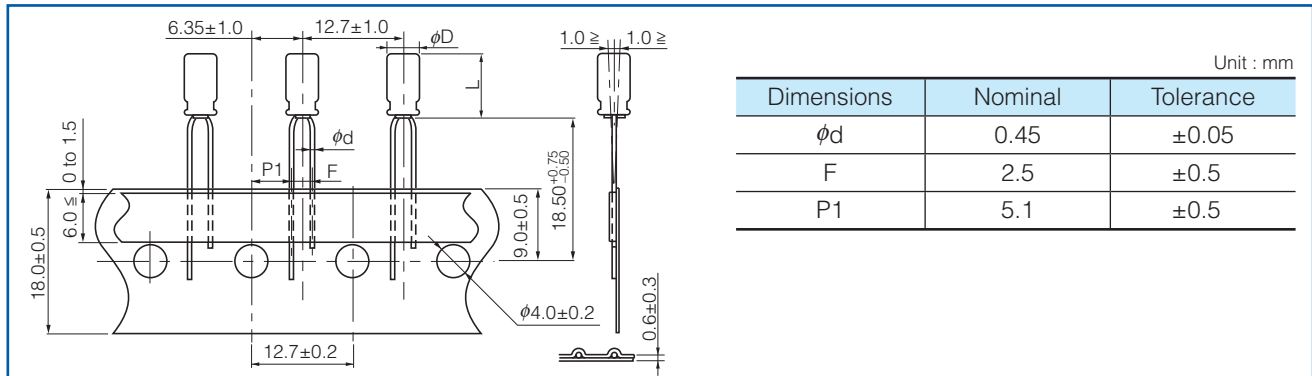


Figure C (Lead space: 2.5 mm / $\phi D \times L$: $\phi 5 \times 11, \phi 6.3 \times 5, 7, 11.2, 15, \phi 8 \times 5, 7$)

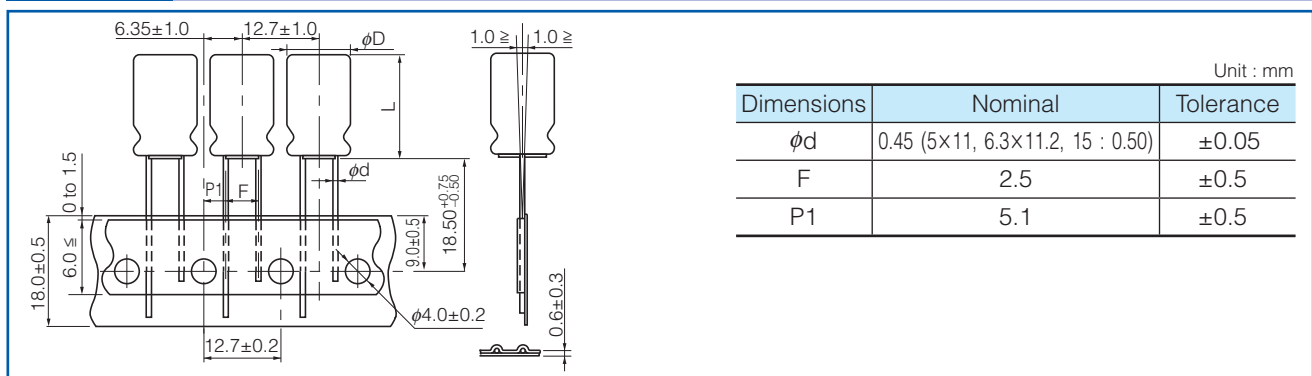


Figure D (Lead space: 5 mm / $\phi D \times L$: $\phi 5 \times 11$, $\phi 6.3 \times 11.2$, 15)

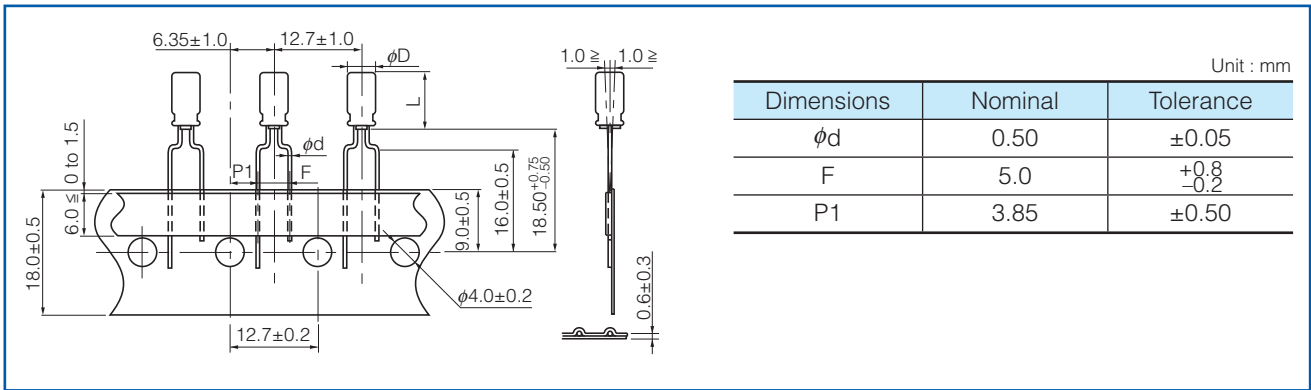


Figure E (Lead space: 5 mm / $\phi D \times L$: $\phi 8 \times 5$, 7, 11.5, 15, 20)

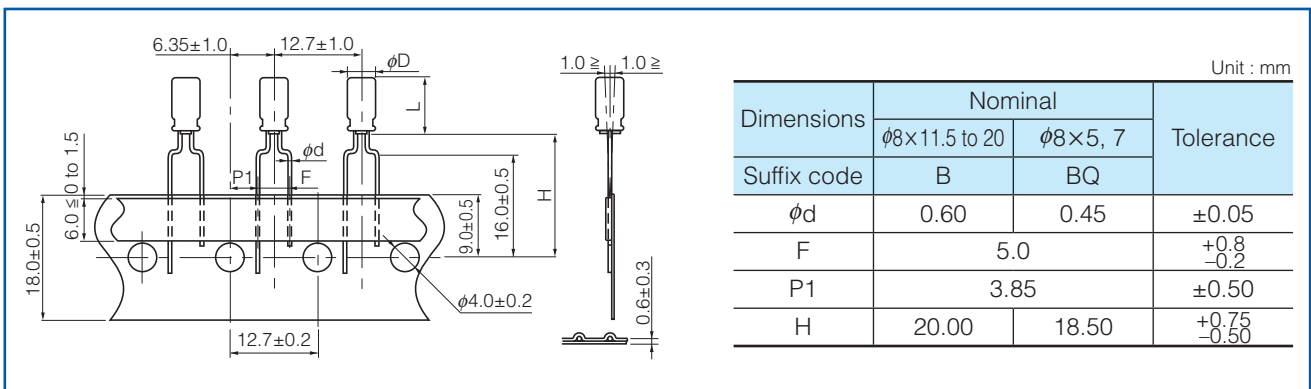


Figure F (Lead space: 5 mm / $\phi D \times L$: $\phi 10 \times 12.5$, 16, 20, 25)

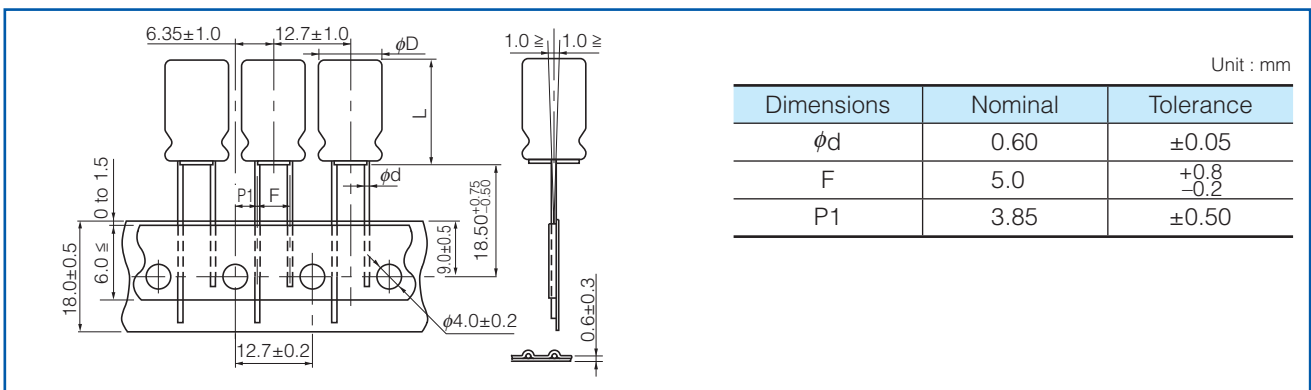


Figure G (Lead space: 5 mm / $\phi D \times L$: $\phi 12.5 \times 15$, 20, 25)

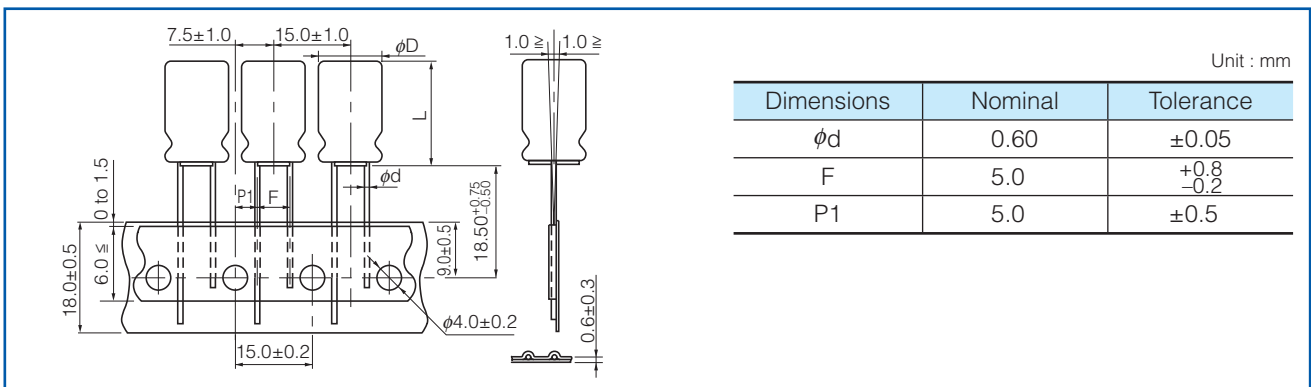
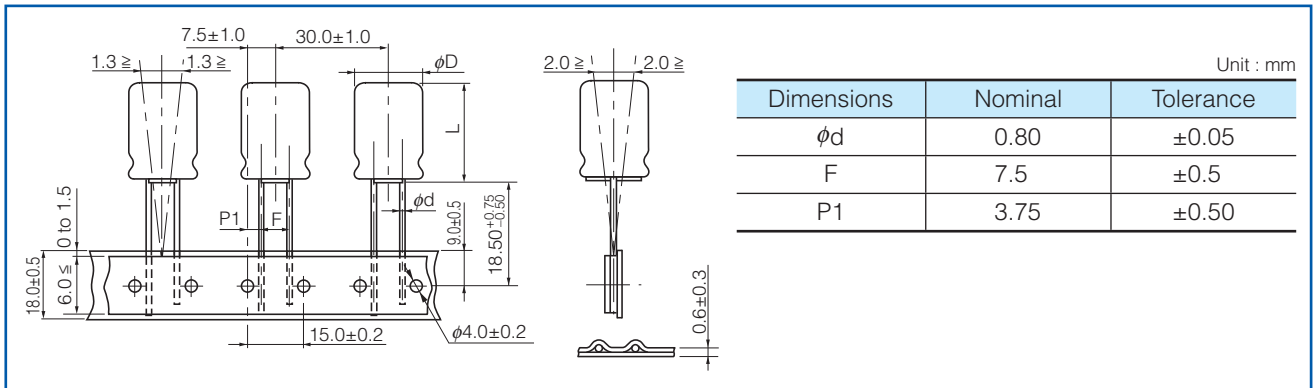


Figure H (Lead space: 7.5 mm / $\phi D \times L$: $\phi 16 \times 15, 20, 25, \phi 18 \times 15, 20, 25$)



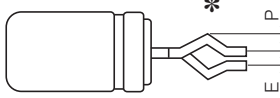
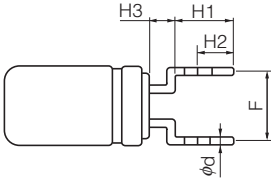
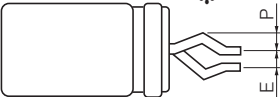
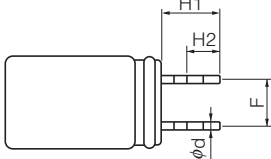
Packaging Specifications

Dimensions	Dimensions of outer carton box				
	$\phi 4$ to $\phi 5$	$\phi 6.3$	$\phi 8$	$\phi 10, \phi 12.5$	$\phi 16, \phi 18$
a	340 max.	340 max.	340 max.	340 max.	340 max.
b	to 55 max.	to 55 max.	to 55 max.	55 to 66 max.	62 to 75 max.
c	170 to 210 max.	270 max.	230 max.	170 to 270 max.	225 to 310 max.
Packaging Quantity	2000 pcs.	2000 pcs.	1000 pcs.	500 pcs.	250 pcs.

Panasonic Aluminum Electrolytic Capacitors (Radial Lead Type)

Lead Forming Type (Snap-in)

Lead formed Aluminium Electrolytic Capacitor for self mounting, for rationalization and upgrade of soldering process.

ϕD	Dimensions	
4, 5, 6.3, 8		
10, 12.5, 16, 18		

* Direction of bending shape is not specified

Dimensions

Unit : mm

ϕD	$H1 \pm 0.5$	H2	H3	$F \pm 0.5$	P	E max.	ϕd	for PWB	
								hole dia. ϕ	thickness
5	4.5	2.7	2.5	5.0	1.0	1.0	0.5	0.9	1.6
6.3	4.5	2.7	2.5	5.0	1.0	1.0	0.5	1.0	1.6
8	4.5	2.7	2.5	5.0	1.0	1.0	0.6	1.0	1.6
10	4.5	2.7	–	5.0	1.0	1.0	0.6	1.0	1.6
12.5	4.5	2.7	–	5.0	1.0 / 0.9	1.0	0.6 / 0.8	1.0 / 1.1	1.6
16	4.5	2.7	–	7.5	0.9	1.0	0.8	1.1	1.6
18	4.5	2.7	–	7.5	0.9	1.0	0.8	1.1	1.6

Series KA/KS Dimensions

Unit : mm

ϕD	$H1 \pm 0.5$	H2	$H3 \pm 0.3$	$F \pm 0.5$	P	E max.	ϕd	for PWB	
								hole dia. ϕ	thickness
4	4.5	2.7	1.5	5.0	0.95	1.0	0.45	0.9	1.6
5	4.5	2.7	1.5	5.0	0.95	1.0	0.45	0.9	1.6
6.3	4.5	2.7	1.5	5.0	0.95	1.0	0.45	0.9	1.6
8	4.5	2.7	1.5	5.0	0.95	1.0	0.45	0.9	1.6