



HESTORE.HU

elektronikai alkatrész áruház

EN: This Datasheet is presented by the manufacturer.

Please visit our website for pricing and availability at www.hestore.hu.

REV.	DESCRIPTION	DRAWN	CHECKED	APPROVED
A	NEW RELEASE	YCH 08/17/07'	~	

NOTES:

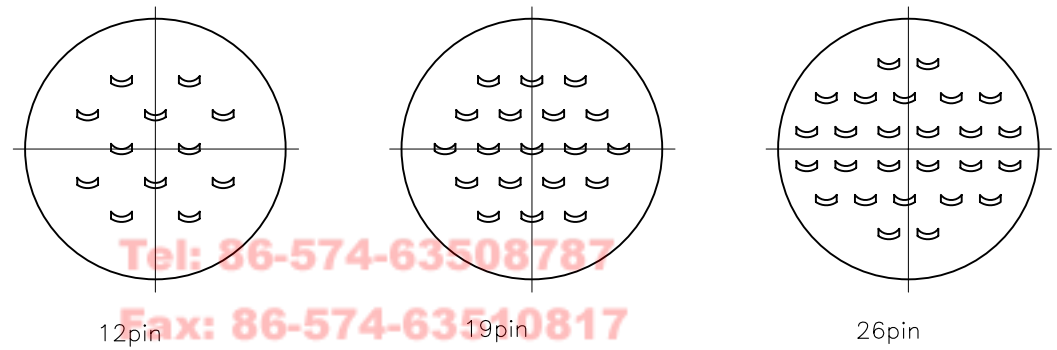
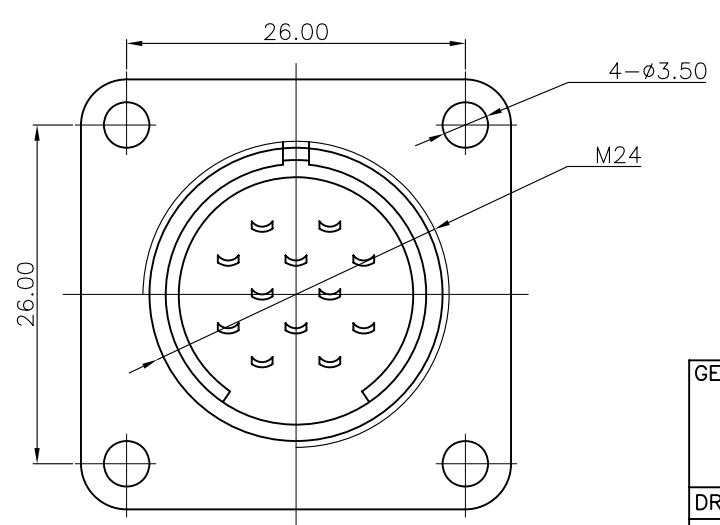
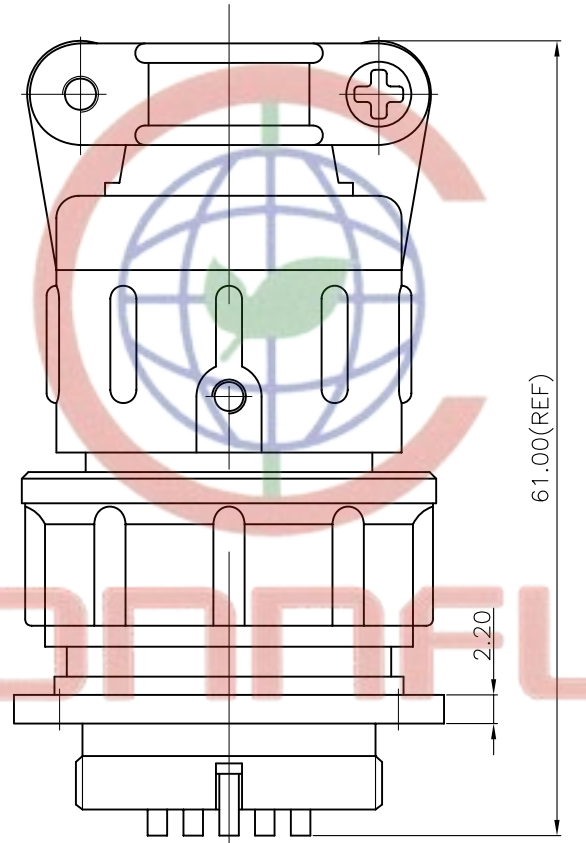
1.SPECIFICATION

- .CURRENT RATING: 5A Max.
- .DIELECTRIC WITH STANDING VOLTAGE: 500V(AC)
- .CONTACT RESISTANCE: 100mΩ Max.
- .INSULATION RESISTANCE: 1000MΩ(DC)Min.

2.PRODUCT NUMBER CODE:

DS1110-07 - X X X X

- X: SHELL SURFACE FINISHED
- X: P:SPRAY THE PAINT (GRAY)
- X: CONTACT PLATING
- X: Y: SILVER
- X: COLOR OF HOUSING:
- X: L: BLUE
- X: No. OF CONTACTS
- X: 12: 12pin
- X: 19: 19pin
- X: 26: 26pin



GENERAL TOLERANCE		ANGLE TOLERANCE		PROJECTION		TITLE	
X.	±0.60	X.	±5°	mm		MICRO JACK CONNECTOR	
.X	±0.38	.X	±3°	A4		SERIES DS1110-07 SERIES	
.XX	±0.25	.XX	±2°				
DRAWING TYPE		CUSTOMER		晨翔电子有限公司 CONNFly CONNFly ELECTRONIC CO. LTD			
SCALE		1:1 SHEET 1 OF 1					
DRAWING NO.		C-DS1110-07-XXX					