



**HESTORE.HU**

elektronikai alkatrész áruház

**EN:** This Datasheet is presented by the manufacturer.

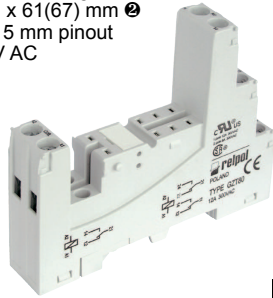
Please visit our website for pricing and availability at [www.hestore.hu](http://www.hestore.hu).

# Plug-in sockets and accessories

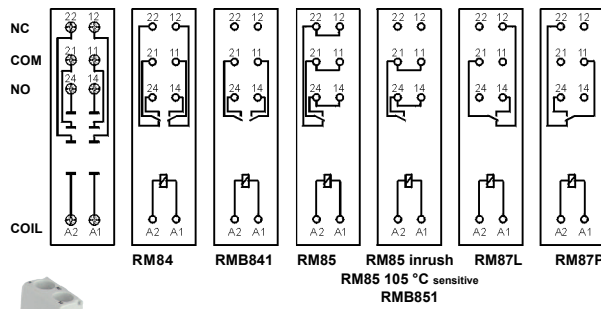
## GZT80

For RM84, RM85, RM85 inrush, RM85 105 °C sensitive, RMB841, RMB851, RM87L, RM87L sensitive, RM87P, RM87P sensitive

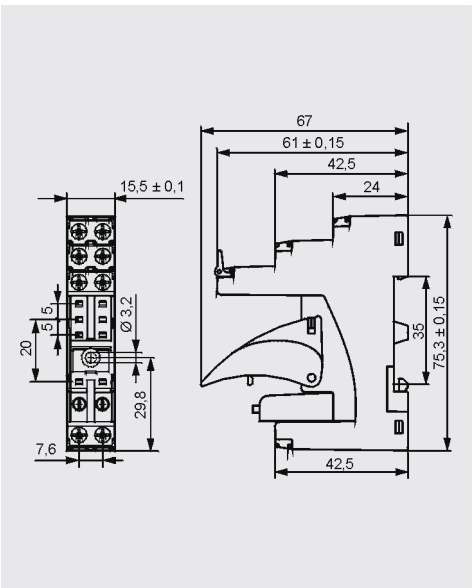
Screw terminals  
Max. tightening moment for the terminal: 0,7 Nm  
35 mm rail mount  
acc. to PN-EN 60715  
or on panel mounting  
75,3 x 15,5 x 61(67) mm  
Two poles, 5 mm pinout  
12 A, 300 V AC



### Connection diagrams ①



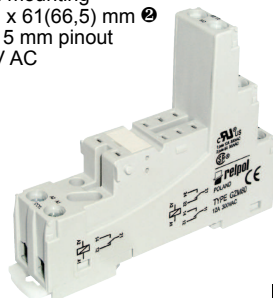
### Dimensions



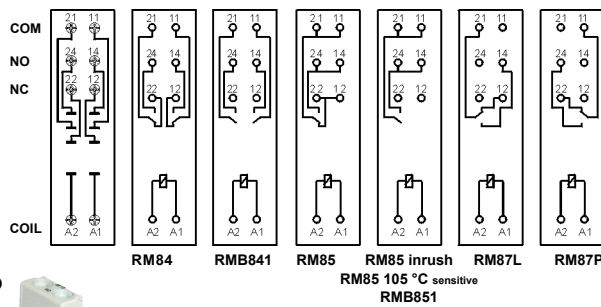
## GZM80

For RM84, RM85, RM85 inrush, RM85 105 °C sensitive, RMB841, RMB851, RM87L, RM87L sensitive, RM87P, RM87P sensitive

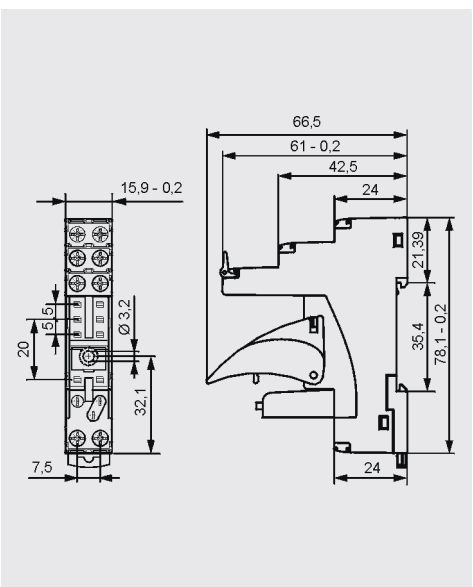
Screw terminals  
Max. tightening moment for the terminal: 0,7 Nm  
35 mm rail mount  
acc. to PN-EN 60715  
or on panel mounting  
78,1 x 15,9 x 61(66,5) mm  
Two poles, 5 mm pinout  
12 A, 300 V AC



### Connection diagrams ①



### Dimensions



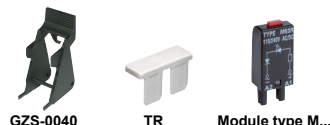
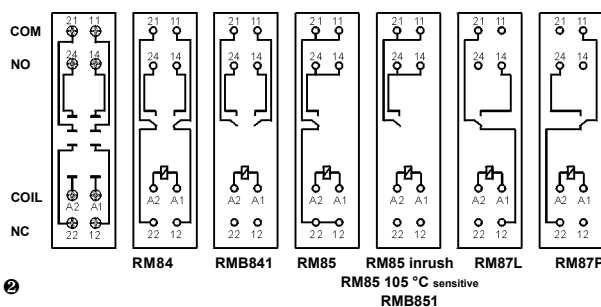
## GZS80

For RM84, RM85, RM85 inrush, RM85 105 °C sensitive, RMB841, RMB851, RM87L, RM87L sensitive, RM87P, RM87P sensitive

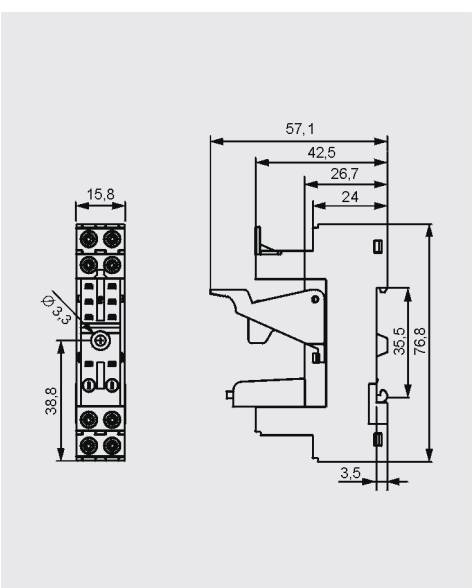
Screw terminals  
Max. tightening moment for the terminal: 0,5 Nm  
35 mm rail mount  
acc. to PN-EN 60715  
or on panel mounting  
76,8 x 15,8 x 42,5(57,1) mm  
Two poles, 5 mm pinout  
10 A, 300 V AC



### Connection diagrams ①



### Dimensions



① Mounting and sub-assemblies of accessories in the socket - see page 9. Signalling / protecting modules type M... - see page 20. ② In the bracket the height of socket with retainer / retractor clip is shown. ③ For RM85, RM85 inrush, RM85 105 °C sensitive, RMB851: loads above 12 A (GZT80, GZM80) or 10 A (GZS80, GZM80) require bridging pairs of terminals: 11 with 21, 12 with 22, 14 with 24 - see www.repol.com.pl; For RMB841, RMB851 - see www.repol.com.pl (energizing of bistable relays)

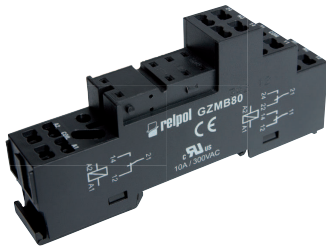
# Plug-in sockets and accessories

## GZMB80

For RM84, RM85, RM85 inrush, RM85 105 °C sensitive, RMB841, RMB851, RM87L, RM87L sensitive, RM87P, RM87P sensitive

Spring terminals  
Max. cross section of the cables:  
1 x 0,2...1,5 mm<sup>2</sup>  
(1 x 24...16 AWG)  
Length of the cable deinsulation: 9...11 mm

35 mm rail mount  
acc. to PN-EN 60715  
97 x 16 x 45,2(69) mm  
Two poles, 5 mm pinout  
10 A, 300 V AC



GZMB80-0040



TR

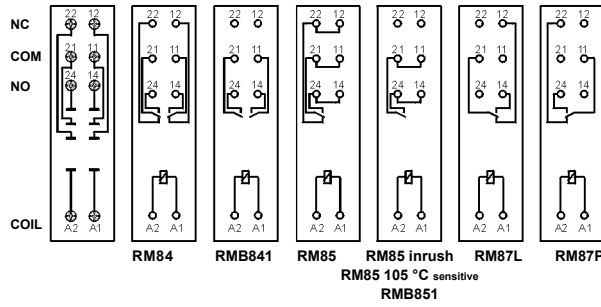


Module type M...

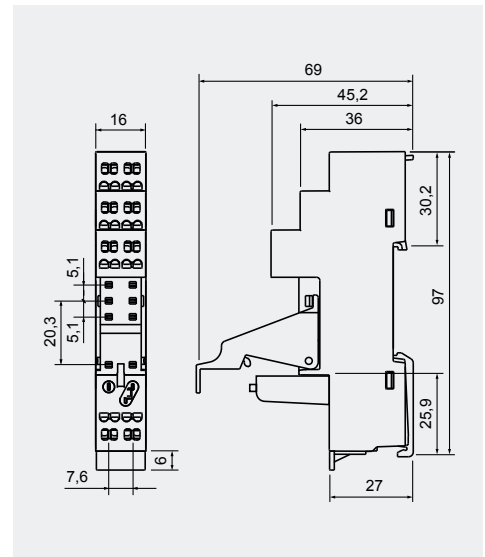


GZM80-0041

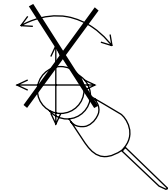
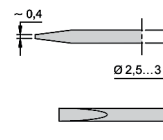
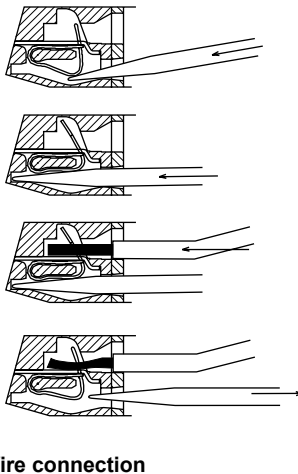
## Connection diagrams ⑥



## Dimensions



The drawings present the sequence of operations in course of inserting wires to the spring terminal, and the recommended screwdriver to be used for opening of case springs, comply with the DIN 5264 FORM „A”.



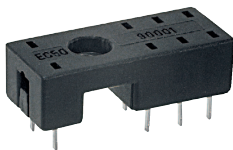
## Accessories ①

## Wire connection

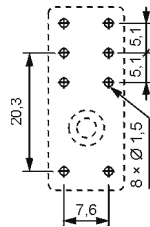
## EC 50

For RM84, RM85, RM85 inrush, RM85 105 °C sensitive, RMB841, RMB851, RM87L, RM87L sensitive, RM87P, RM87P sensitive, RM83, RM94

For PCB  
31,3 x 12,7 x 9 mm  
Two poles, 5 mm pinout  
8 A, 300 V AC



## Pinout



MP25-2

MH25-2

RM81-0001

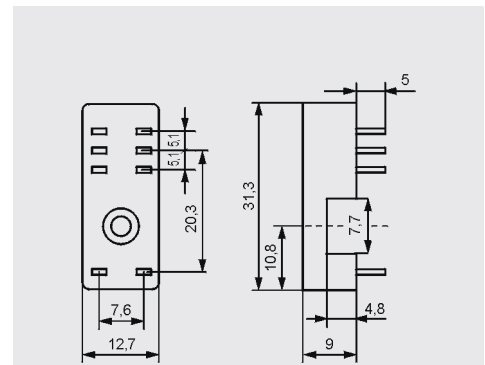


MP16-2

MH16-2

GD-0025

## Dimensions



## Accessories

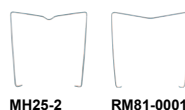
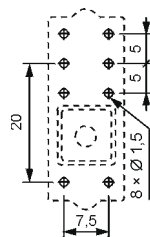
## PW80

For RM84, RM85, RM85 inrush, RM85 105 °C sensitive, RMB841, RMB851, RM87L, RM87L sensitive, RM87P, RM87P sensitive, RM83, RM94

For PCB  
34,6 x 12,9 x 6,6 mm  
Two poles, 5 mm pinout  
8 A, 250 V AC

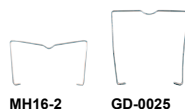


## Pinout



MH25-2

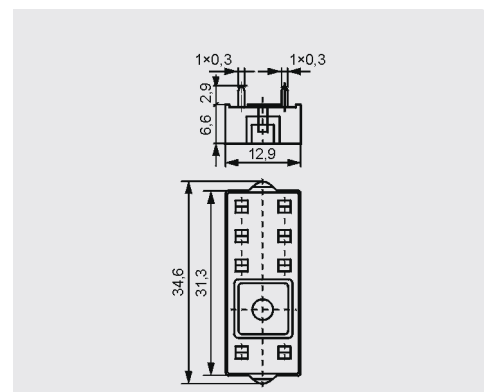
RM81-0001



MH16-2

GD-0025

## Dimensions



① Mounting and sub-assemblies of accessories in the socket - see page 9. Signalling / protecting modules type M... - see page 20. ② In the bracket the height of socket with retainer / retractor clip is shown. ③ For RM85, RM85 inrush, RM85 105 °C sensitive, RMB851: loads above 12 A (GZT80, GZM80) or 10 A (GZS80, GZMB80) require bridging pairs of terminals: 11 with 21, 12 with 22, 14 with 24 - see www.repol.com.pl; For RMB841, RMB851 - see www.repol.com.pl (energizing of bistable relays)

# Plug-in sockets and accessories

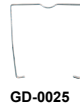
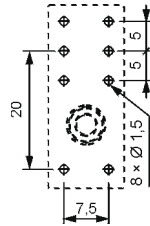
## GD50

For RM84, RM85, RM85 inrush, RM85 105 °C sensitive, RMB841, RMB851, RM87L, RM87L sensitive, RM87P, RM87P sensitive, RM83, RM94

For PCB  
31,5 x 13 x 9 mm  
Two poles, 5 mm pinout  
8 A, 300 V AC

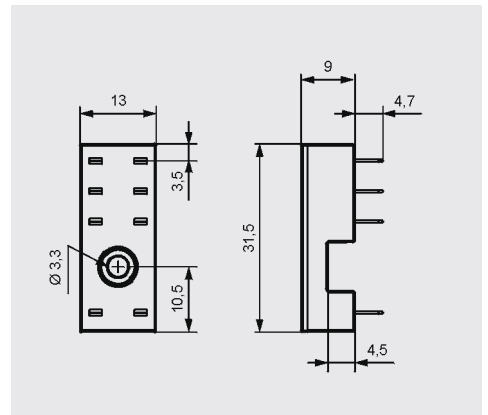


### Pinout



### Accessories

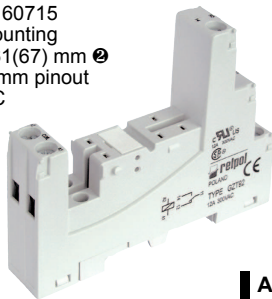
### Dimensions



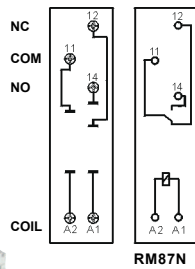
## GZT92

For RM87N, RM87N sensitive

Screw terminals  
Max. tightening moment for the terminal: 0,7 Nm  
35 mm rail mount  
acc. to PN-EN 60715  
or on panel mounting  
75,3 x 15,5 x 61(67) mm ②  
One pole, 3,5 mm pinout  
12 A, 300 V AC



### Connection diagrams



RM87N



GZT80-0040



GZT80-0035

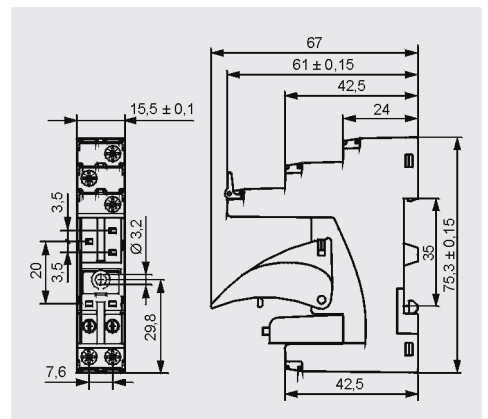
Module type M...

### Accessories ①

ZGGZ80

GZM80-0041

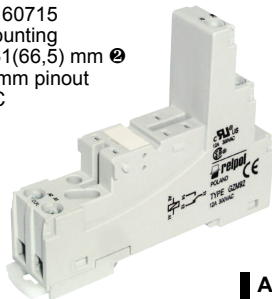
### Dimensions



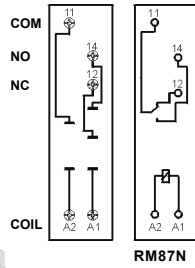
## GZM92

For RM87N, RM87N sensitive

Screw terminals  
Max. tightening moment for the terminal: 0,7 Nm  
35 mm rail mount  
acc. to PN-EN 60715  
or on panel mounting  
78,1 x 15,9 x 61(66,5) mm ②  
One pole, 3,5 mm pinout  
12 A, 300 V AC



### Connection diagrams



RM87N



GZT80-0040



GZT80-0035

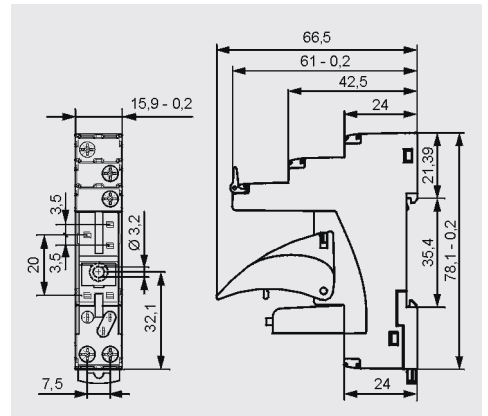
Module type M...

### Accessories ①

ZGGZ80

GZM80-0041

### Dimensions



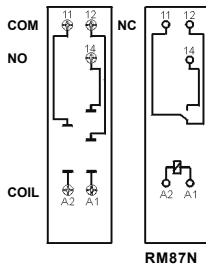
## GZS92

For RM87N, RM87N sensitive

Screw terminals  
Max. tightening moment for the terminal: 0,5 Nm  
35 mm rail mount  
acc. to PN-EN 60715  
or on panel mounting  
76,8 x 15,8 x 42,5(57,1) mm ②  
One pole, 3,5 mm pinout  
12 A, 300 V AC



### Connection diagrams



RM87N



GZS-0040



TR

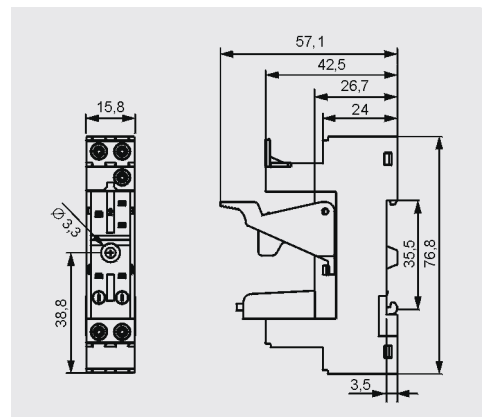
Module type M...

### Accessories ①

ZGGZ80

GZM80-0041

### Dimensions



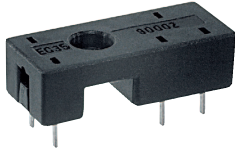
① Mounting and sub-assemblies of accessories in the socket - see page 9. Signalling / protecting modules type M... - see page 20.  
② In the bracket the height of socket with retainer / retractor clip is shown.

# Plug-in sockets and accessories

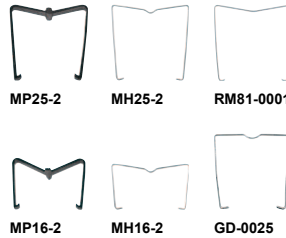
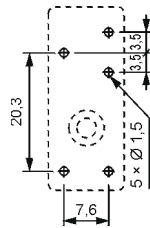
## EC 35

For RM87N, RM87N sensitive, RM92

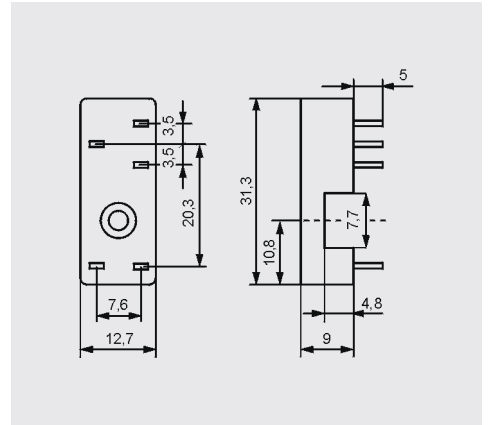
For PCB  
31,3 x 12,7 x 9 mm  
One pole, 3,5 mm pinout  
12 A, 300 V AC



### Pinout



### Dimensions



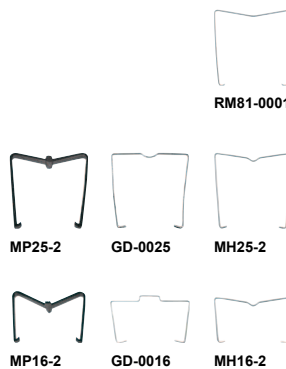
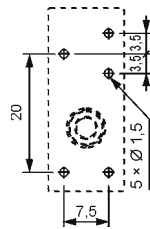
## GD35

For RM87N, RM87N sensitive, RM92

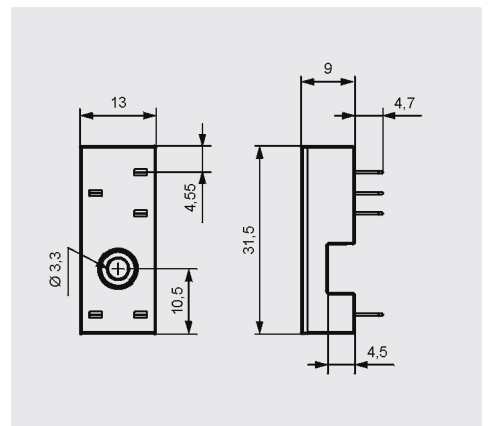
For PCB  
31,5 x 13 x 9 mm  
One pole, 3,5 mm pinout  
12 A, 300 V AC



### Pinout



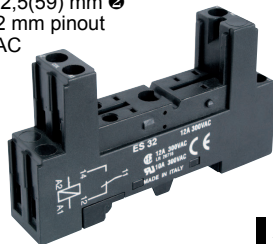
### Dimensions



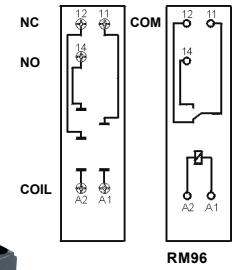
## ES 32

For RM96 1 CO

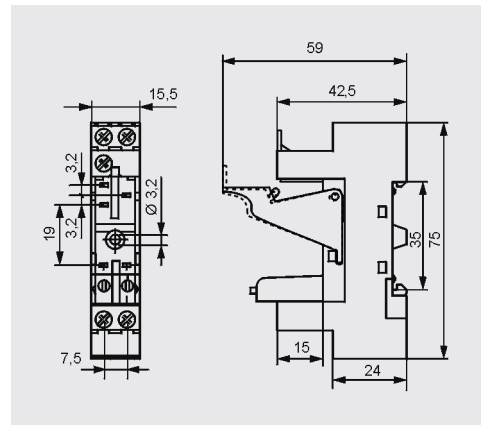
Screw terminals  
Max. tightening moment for the terminal: 0,7 Nm  
35 mm rail mount acc. to PN-EN 60715 or on panel mounting  
75 x 15,5 x 42,5(59) mm <sup>Ⓜ</sup>  
One pole, 3,2 mm pinout  
12 A, 300 V AC



### Connection diagrams



### Dimensions

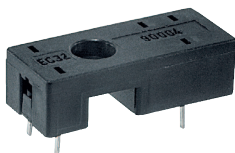


### Accessories <sup>Ⓛ</sup>

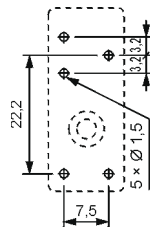
ZGGZ80 GZM80-0041

## EC 32

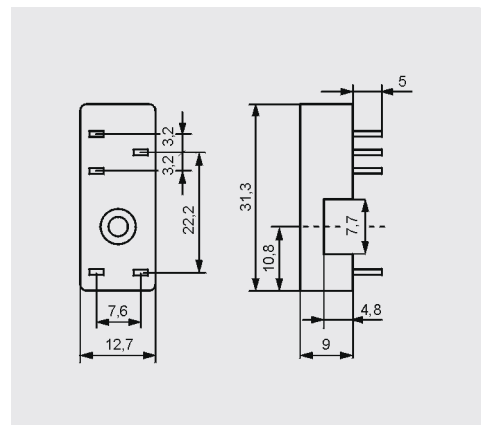
For PCB  
31 x 12,7 x 9 mm  
One pole, 3,2 mm pinout  
12 A, 300 V AC



### Pinout



### Dimensions



### Accessories

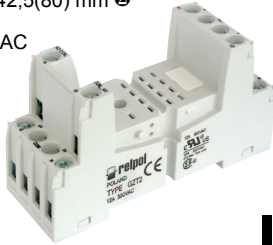
<sup>Ⓛ</sup> Mounting and sub-assemblies of accessories in the socket - see page 9. Signalling / protecting modules type M... - see page 20.  
<sup>Ⓜ</sup> In the bracket the height of socket with retainer / retractor clip is shown.

# Plug-in sockets and accessories

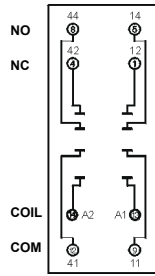
## GZT2

For R2N

Screw terminals  
Max. tightening moment for the terminal: 0,7 Nm  
35 mm rail mount  
acc. to PN-EN 60715  
or on panel mounting  
76,3 x 27 x 42,5(80) mm ②  
Two poles  
12 A, 300 V AC

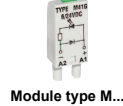


### Connection diagram

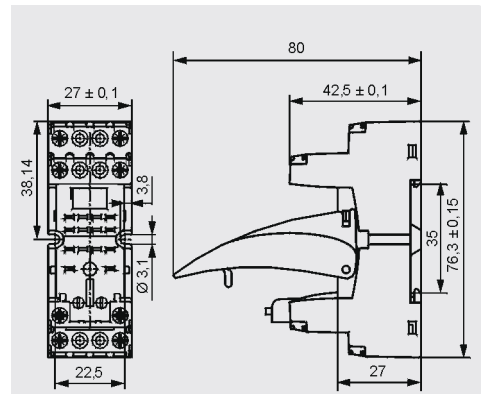


GZT4-0040

G4 1052



### Dimensions

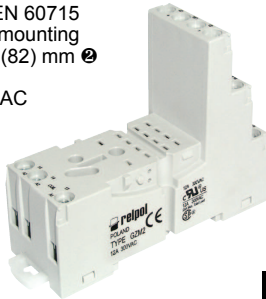


### Accessories ①

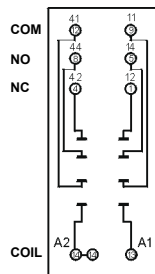
## GZM2

For R2N

Screw terminals  
Max. tightening moment for the terminal: 0,7 Nm  
35 mm rail mount  
acc. to PN-EN 60715  
or on panel mounting  
75 x 27 x 61(82) mm ②  
Two poles  
12 A, 300 V AC

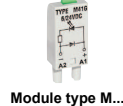


### Connection diagram

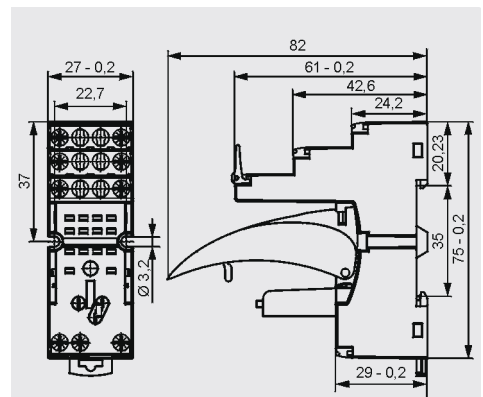


GZT4-0040

G4 1052



### Dimensions



### Accessories ①

## GZMB2

For R2N

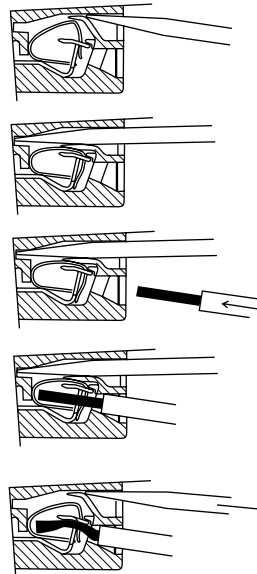
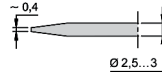
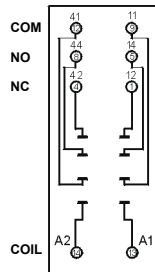
Spring terminals  
Max. cross section of the cables:  
1 x 0,2...1,5 mm<sup>2</sup>  
(1 x 24...16 AWG)  
Length of the cable deinsulation:  
9...11 mm

35 mm rail mount  
acc. to PN-EN 60715  
95 x 31 x 42,5(80) mm ②  
Two poles  
10 A, 300 V AC

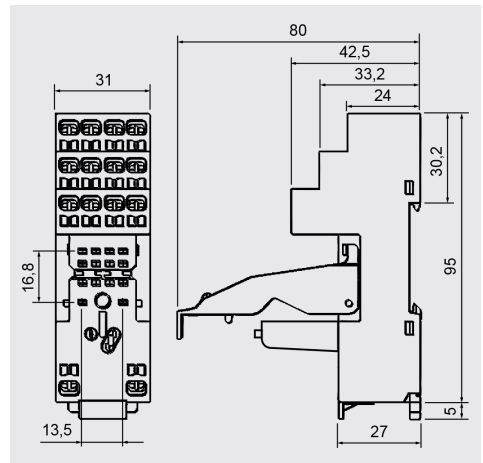


### Accessories ①

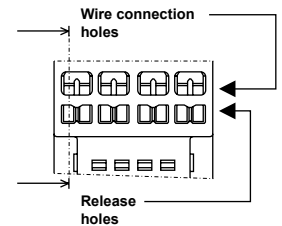
### Connection diagram



### Dimensions



The drawings present the sequence of operations in course of inserting wires to the spring terminal, and the recommended screwdriver to be used for opening of case springs, comply with the DIN 5264 FORM „A“.



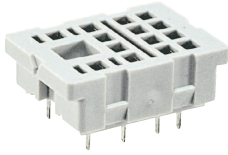
### Wire connection

① Mounting and sub-assemblies of accessories in the socket - see page 9. Signalling / protecting modules type M... - see page 20.  
② In the bracket the height of socket with retainer / retractor clip is shown.

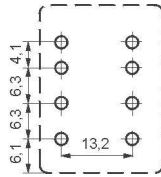
# Plug-in sockets and accessories

## SU4/2D

For R2N  
For PCB  
29,6 x 21,5 x 11 mm  
Two poles  
12 A, 250 V AC



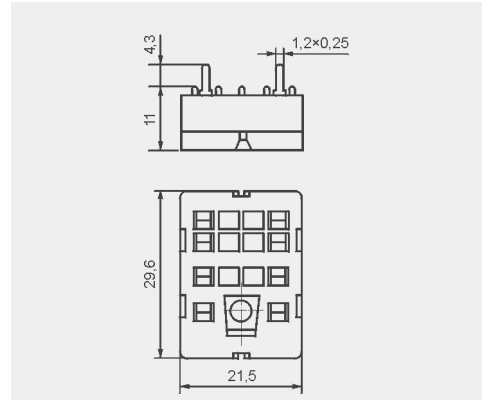
### Pinout



### Accessories

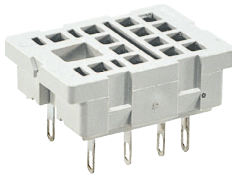
G4 1053

### Dimensions

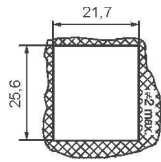


## SU4/2L

For R2N  
Solder terminals  
29,6 x 21,5 x 18,1 mm  
Two poles  
12 A, 250 V AC



### Dimensions of opening on panel mounting

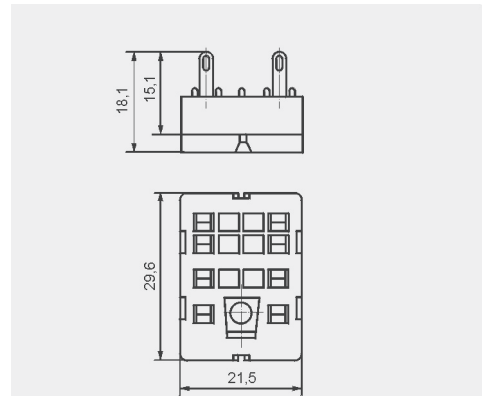


### Accessories

G4 1053

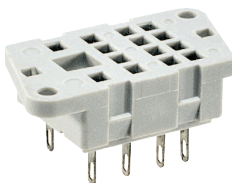
G4 1040

### Dimensions

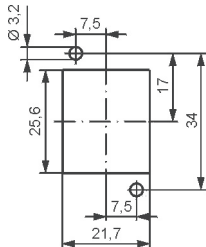


## G4/2

For R2N  
Solder terminals  
40,5 x 21,5 x 18,1 mm  
Two poles  
12 A, 250 V AC



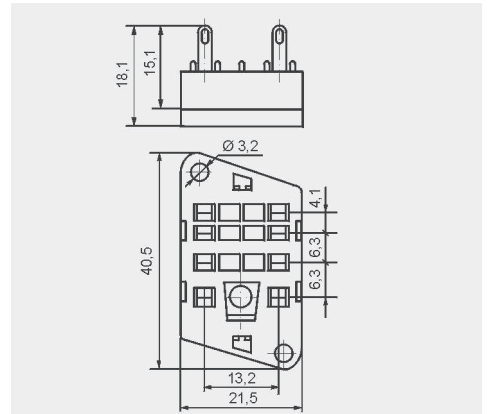
### Pinout of openings on panel mounting



### Accessories

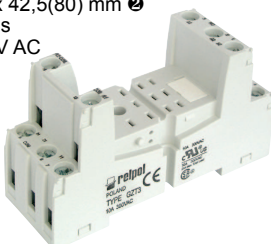
G4 1053

### Dimensions

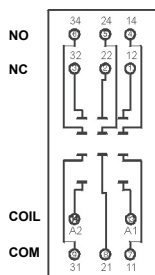


## GZT3

For R3N  
Screw terminals  
Max. tightening moment for the terminal: 0,7 Nm  
35 mm rail mount acc. to PN-EN 60715 or on panel mounting 76,3 x 27 x 42,5(80) mm  
Three poles  
10 A, 300 V AC



### Connection diagram



ZGGZ4



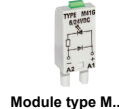
GZT4-0040



G4 1052



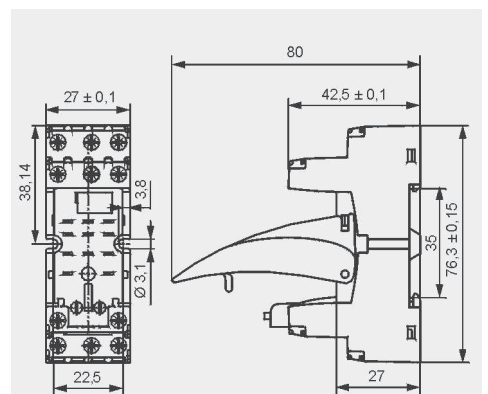
GZT4-0035



Module type M...

### Accessories ❶

### Dimensions



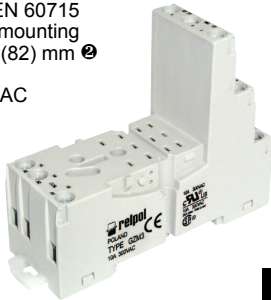
❶ Mounting and sub-assemblies of accessories in the socket - see page 9. Signalling / protecting modules type M... - see page 20.  
❷ In the bracket the height of socket with retainer / retractor clip is shown.

# Plug-in sockets and accessories

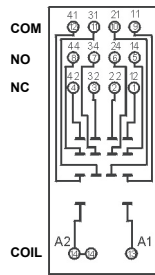
## GZM3

For R3N

Screw terminals  
Max. tightening moment for the terminal: 0,7 Nm  
35 mm rail mount  
acc. to PN-EN 60715  
or on panel mounting  
75 x 27 x 61(82) mm ②  
Three poles  
10 A, 300 V AC



### Connection diagram



ZGGZ4

GZT4-0040

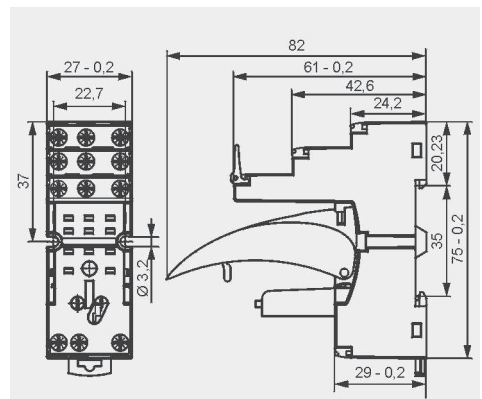
G4 1052



GZT4-0035

Module type M...

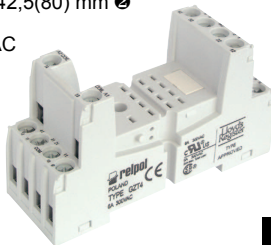
### Dimensions



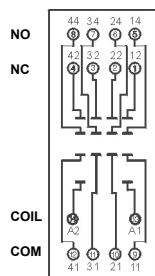
## GZT4 ④

For R4N, T-R4

Screw terminals  
Max. tightening moment for the terminal: 0,7 Nm  
35 mm rail mount  
acc. to PN-EN 60715  
or on panel mounting  
76,3 x 27 x 42,5(80) mm ②  
Four poles  
6 A, 300 V AC



### Connection diagram



ZGGZ4

TR4-2000

GZT4-0040

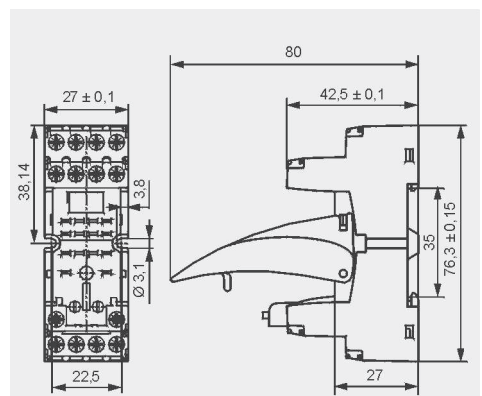
G4 1052



GZT4-0035

Module type M...

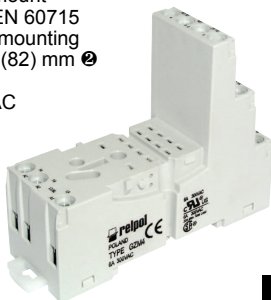
### Dimensions



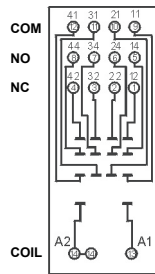
## GZM4

For R4N, T-R4

Screw terminals  
Max. tightening moment for the terminal: 0,7 Nm  
35 mm rail mount  
acc. to PN-EN 60715  
or on panel mounting  
75 x 27 x 61(82) mm ②  
Four poles  
6 A, 300 V AC



### Connection diagram



ZGGZ4

TR4-2000

GZT4-0040

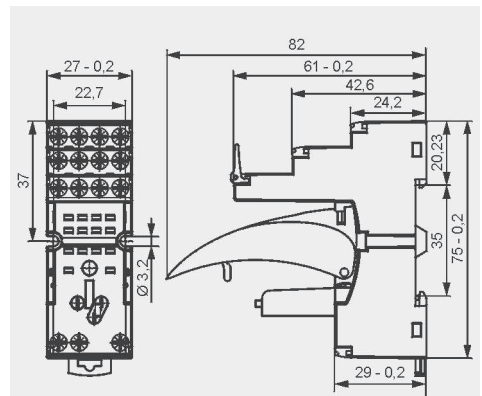
G4 1052



GZT4-0035

Module type M...

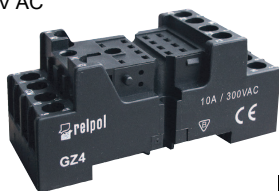
### Dimensions



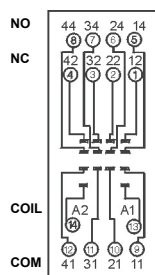
## GZ4

For R4N

Screw terminals  
Max. tightening moment for the terminal: 0,7 Nm  
35 mm rail mount  
acc. to PN-EN 60715  
or on panel mounting  
66,4 x 29,5 x 29 mm  
Four poles  
10 A, 300 V AC

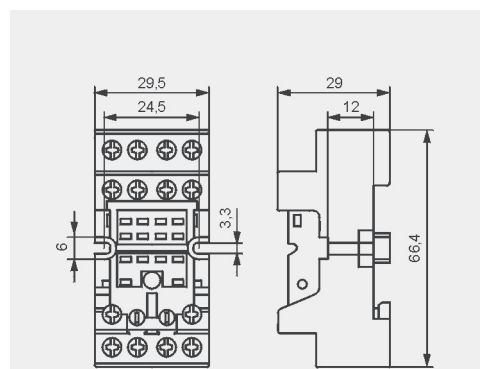


### Connection diagram



G4 1052

### Dimensions



① Mounting and sub-assemblies of accessories in the socket - see page 9. Signalling / protecting modules type M... - see page 20. ② In the bracket the height of socket with retainer / retractor clip is shown. ④ Have obtained LR Type Approval Certificate (Lloyd's Register). ⑤ For R4 relays: G4 1052, GZT4-0040, GZMB-0040, GZT4-0035, TR, module type M...; for T-R4 relays: TR4-2000, GZT4-0035, TR

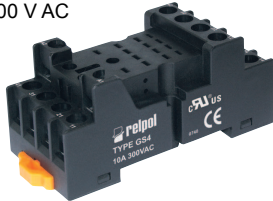


# Plug-in sockets and accessories

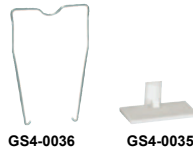
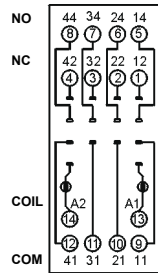
## GS4

For R4N

Screw terminals  
Max. tightening moment for the terminal: 0,7 Nm  
35 mm rail mount  
acc. to PN-EN 60715  
or on panel mounting  
67 x 30,8 x 30 (~63,7) mm Ⓣ  
Four poles  
6 A, 300 V AC



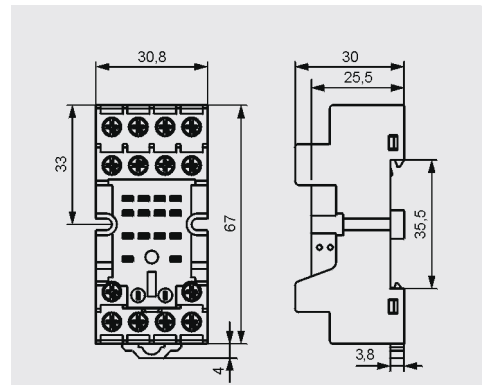
### Connection diagram



### Accessories

G4-0036 TR G4-0035

### Dimensions

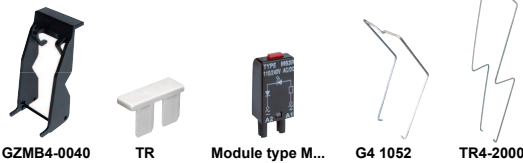


## GZMB4

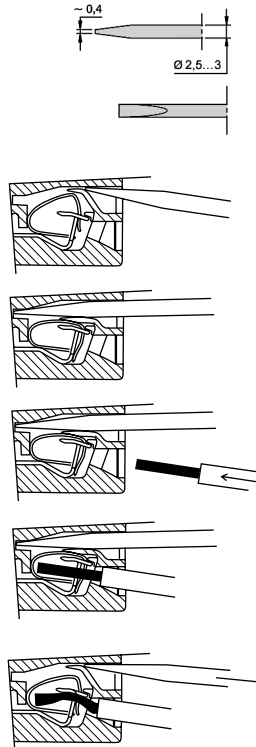
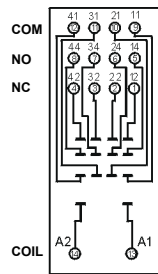
For R4N, T-R4

Spring terminals  
Max. cross section of the cables:  
1 x 0,2...1,5 mm<sup>2</sup>  
(1 x 24...16 AWG)  
Length of the cable deinsulation:  
9...11 mm

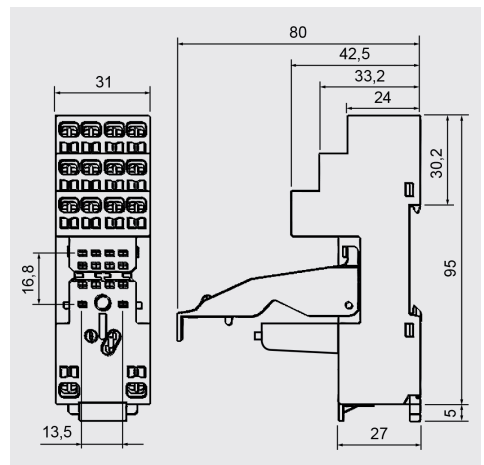
35 mm rail mount  
acc. to PN-EN 60715  
95 x 31 x 42,5(80) mm Ⓣ  
Four poles  
10 A, 300 V AC



### Connection diagram



### Dimensions



The drawings present the sequence of operations in course of inserting wires to the spring terminal, and the recommended screwdriver to be used for opening of case springs, comply with the DIN 5264 FORM „A“.

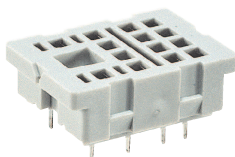
### Accessories Ⓣ Ⓣ

### Wire connection

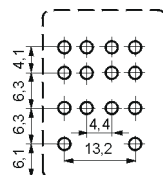
## SU4D

For R4N

For PCB  
29,6 x 21,5 x 11 mm  
Four poles  
6 A, 250 V AC



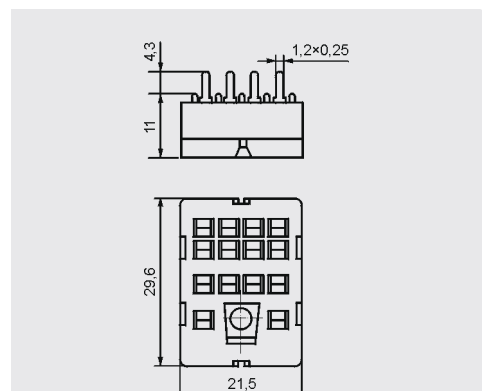
### Pinout



### Accessories

G4 1053

### Dimensions



Ⓣ Mounting and sub-assemblies of accessories in the socket - see page 9. Signalling / protecting modules type M... - see page 20. Ⓣ In the bracket the height of socket with retainer / retractor clip is shown. Ⓣ For R4N relays: G4 1052, GZT4-0040, GZMB-0040, GZT4-0035, TR, module type M...; for T-R4 relays: TR4-2000, GZT4-0035, TR Ⓣ In the bracket the height of socket with spring wire clip is shown.

# Plug-in sockets and accessories

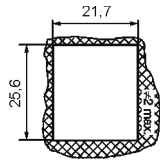
## SU4L

For R4N

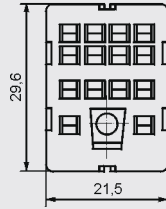
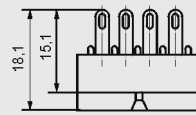
Solder terminals  
29,6 x 21,5 x 18,1 mm  
Four poles  
6 A, 250 V AC



### Dimensions of opening on panel mounting



### Dimensions



### Accessories

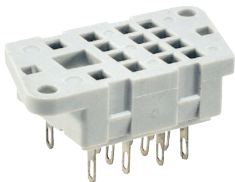
G4 1053

G4 1040

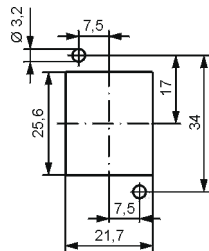
## G4

For R4N

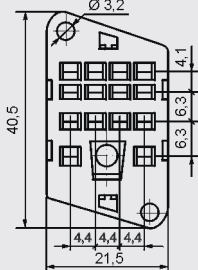
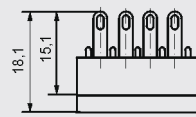
Solder terminals  
40,5 x 21,5 x 18,1 mm  
Four poles  
6 A, 250 V AC



### Pinout of openings on panel mounting



### Dimensions



### Accessories

G4 1053

## Mounting and sub-assemblies of the relay and accessories in the socket

Signalling / protecting module  
type M...

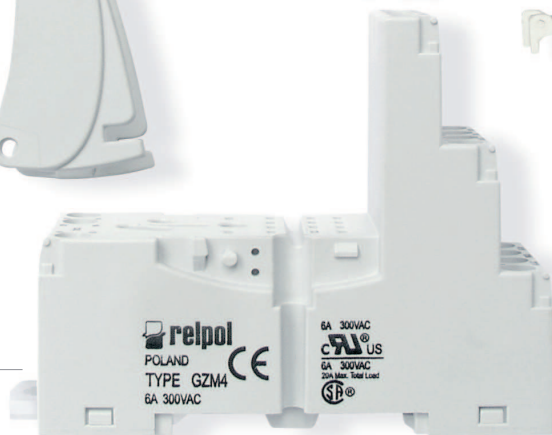
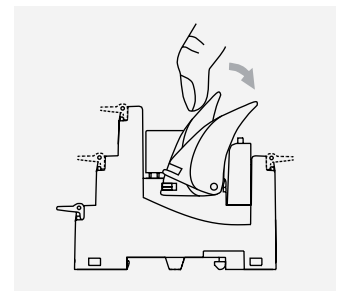
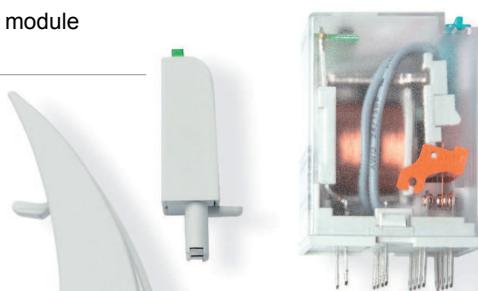
Electromagnetic  
relay

Retainer / retractor clip

Screw terminals  
plug-in socket

Removing the relay from the socket  
with a retractor / retractor clip

Description plate



# Plug-in sockets and accessories

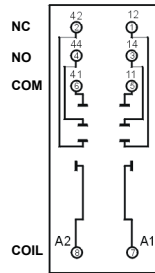
## GZY2G

For RY2

Screw terminals  
Max. tightening moment  
for the terminal: 0,7 Nm  
35 mm rail mount  
acc. to PN-EN 60715  
or on panel mounting  
78,7 x 28 x 32,4 mm  
Two poles  
12 A, 250 V AC



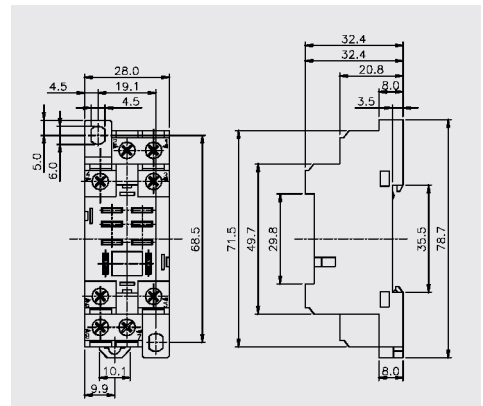
### Connection diagram



### Accessories

GZY2G-0041

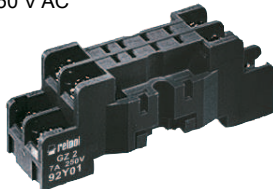
### Dimensions



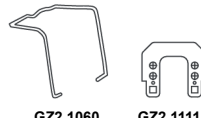
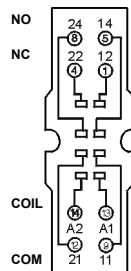
## GZ2

For R2M

Screw terminals  
Max. tightening moment  
for the terminal: 0,7 Nm  
35 mm rail mount  
acc. to PN-EN 60715  
or on panel mounting  
65,2 x 20 x 25 mm  
Two poles  
7 A, 250 V AC



### Connection diagram

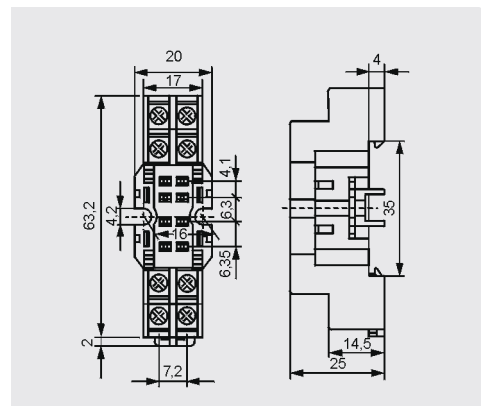


### Accessories

GZ2 1060

GZ2 1111

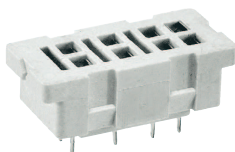
### Dimensions



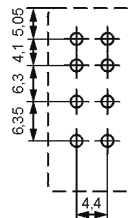
## S2M

For R2M

For PCB  
29,6 x 14 x 10,5 mm  
Two poles  
5 A, 250 V AC



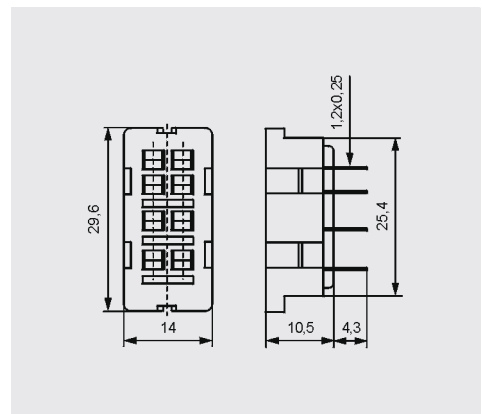
### Pinout



### Accessories

G4 1050

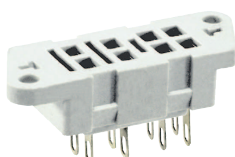
### Dimensions



## G2M

For R2M

Solder terminals  
40,5 x 14 x 10,5 mm  
Two poles  
5 A, 250 V AC



### Accessories

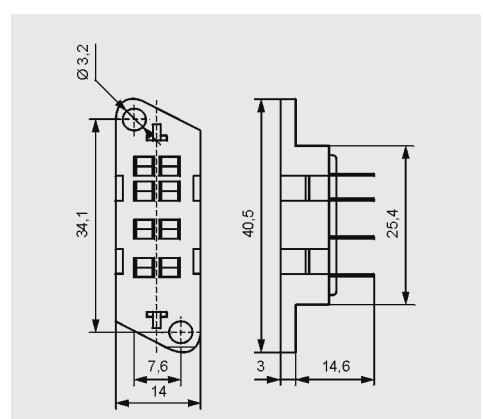


### Accessories

G4 1050

G2M 1020

### Dimensions

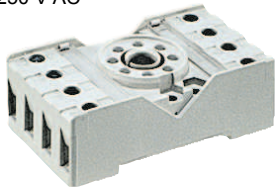


# Plug-in sockets and accessories

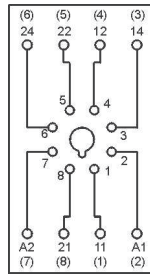
## PZ8 ④

For R15 - 2 CO

Screw terminals  
Max. tightening moment  
for the terminal: 0,7 Nm  
35 mm rail mount  
acc. to PN-EN 60715  
or on panel mounting  
68,2 x 38 x 24,2 mm  
Two poles  
10 A, 250 V AC



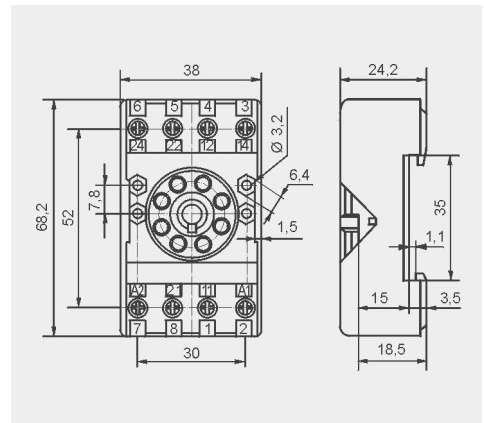
### Connection diagram



PZ11 0031

### Accessories

### Dimensions



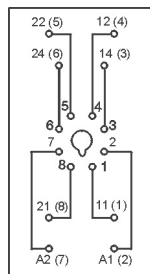
## GZU8

For R15 - 2 CO

Screw terminals  
Max. tightening moment  
for the terminal: 0,7 Nm  
35 mm rail mount  
acc. to PN-EN 60715  
82 x 35,5 x 25,7 mm  
Two poles  
10 A, 300 V AC



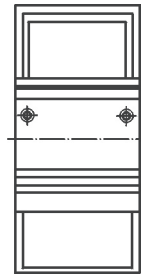
### Connection diagram



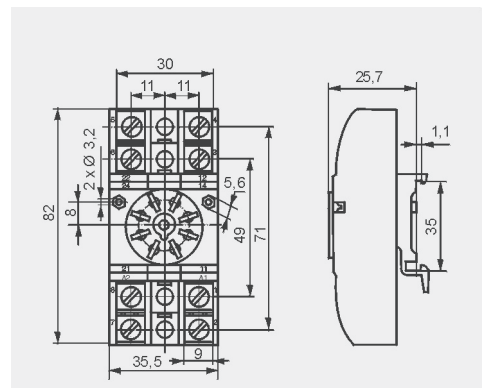
GZU 1052

### Accessories

### Adaptor



### Dimensions



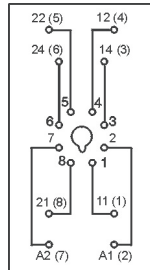
## GZ8

For R15 - 2 CO

Screw terminals  
Max. tightening moment  
for the terminal: 0,7 Nm  
On panel mounting  
82,8 x 35,5 x 22,5 mm  
Two poles  
10 A, 300 V AC



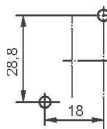
### Connection diagram



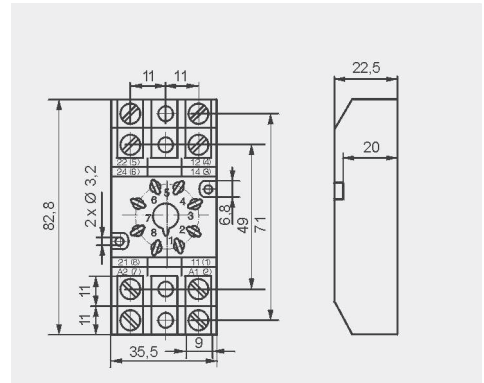
GZ 1050

### Accessories

### Mounting dimensions



### Dimensions



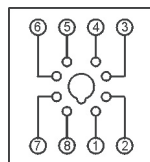
## GZS8

For R15 - 2 CO

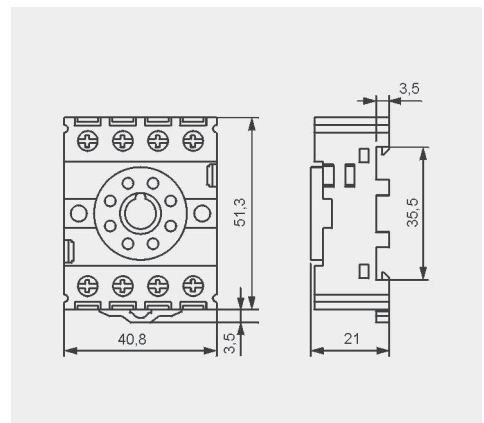
Screw terminals  
Max. tightening moment  
for the terminal: 1,0 Nm  
35 mm rail mount  
acc. to PN-EN 60715  
or on panel mounting  
51,3 x 40,8 x 21 mm  
Two poles  
10 A, 300 V AC



### Connection diagram



### Dimensions



④ Have obtained LR Type Approval Certificate (Lloyd's Register).

# Plug-in sockets and accessories

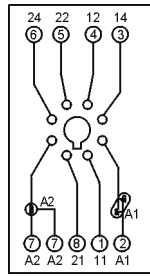
## GZP8

For R15 - 2 CO

Screw terminals  
Max. tightening moment  
for the terminal: 0,5 Nm  
35 mm rail mount  
acc. to PN-EN 60715  
or on panel mounting  
73 x 38,2 x 27,2 mm  
Two poles  
12 A, 300 V AC



### Connection diagram



Time module COM3



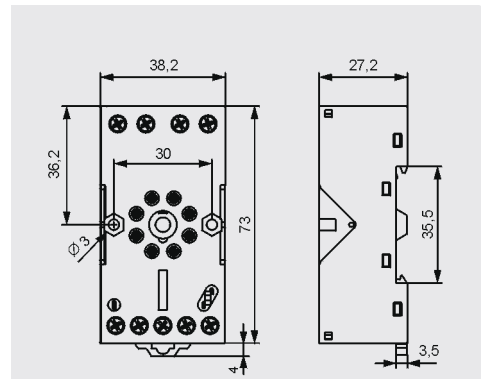
GZP-0054



GZP-0035

### Accessories

### Dimensions



## GOP8

For R15 - 2 CO

Solder terminals  
47,2 x 32 x 22 mm  
Two poles  
10 A, 250 V AC



### Accessories

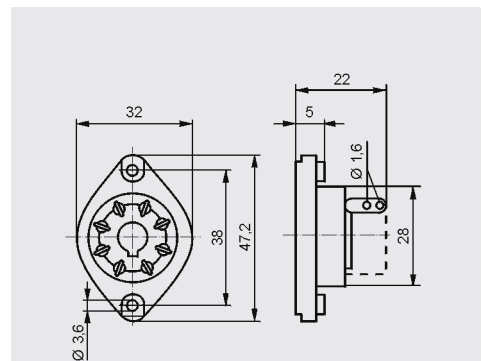


R159 1051



R15 5922

### Dimensions



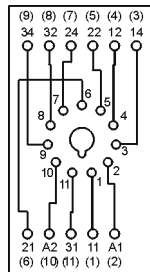
## PS11

For R15 - 3 CO

Screw terminals  
Max. tightening moment  
for the terminal: 0,7 Nm  
35 mm rail mount  
acc. to PN-EN 60715  
or on panel mounting  
68,2 x 38 x 24,2 mm  
Three poles  
10 A, 250 V AC



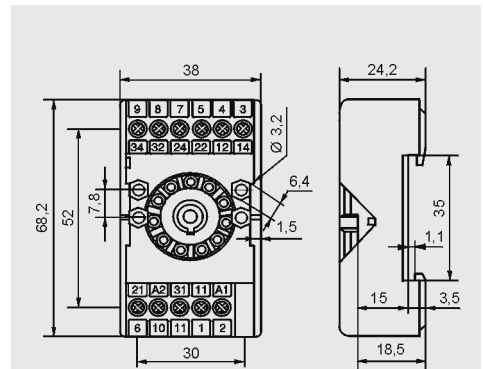
### Connection diagram



PZ11 0031

### Accessories

### Dimensions



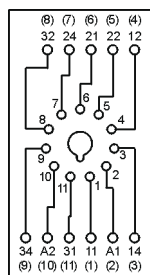
## PZ11

For R15 - 3 CO

Screw terminals  
Max. tightening moment  
for the terminal: 0,7 Nm  
35 mm rail mount  
acc. to PN-EN 60715  
or on panel mounting  
68,2 x 38 x 24,2 mm  
Three poles  
10 A, 250 V AC



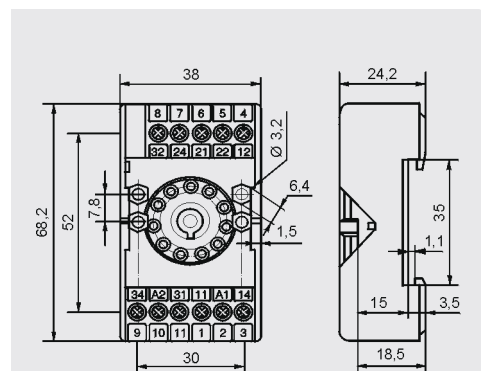
### Connection diagram



PZ11 0031

### Accessories

### Dimensions



Ⓜ Have obtained LR Type Approval Certificate (Lloyd's Register).

# Plug-in sockets and accessories

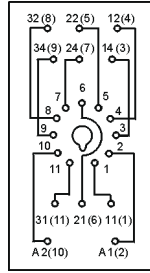
## GZU11

For R15 - 3 CO

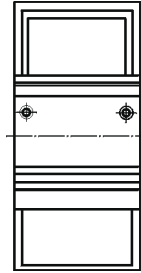
Screw terminals  
Max. tightening moment for the terminal: 0,7 Nm  
35 mm rail mount  
acc. to PN-EN 60715  
82 x 35,5 x 25,7 mm  
Three poles  
10 A, 250 V AC



### Connection diagram

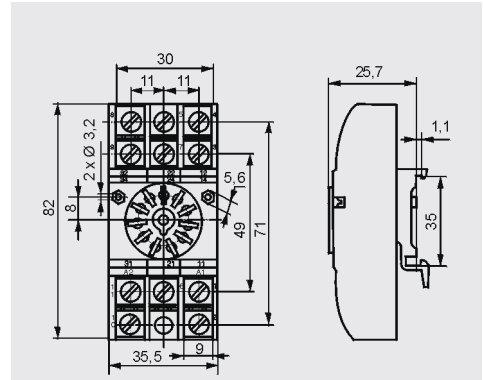


### Adaptor



GZU 1052

### Dimensions

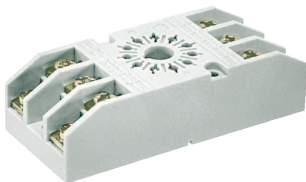


### Accessories

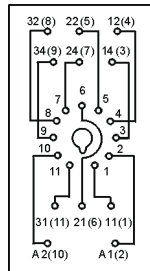
## GZ11

For R15 - 3 CO

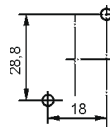
Screw terminals  
Max. tightening moment for the terminal: 0,7 Nm  
On panel mounting  
82,8 x 35,5 x 22,5 mm  
Three poles  
10 A, 250 V AC



### Connection diagram

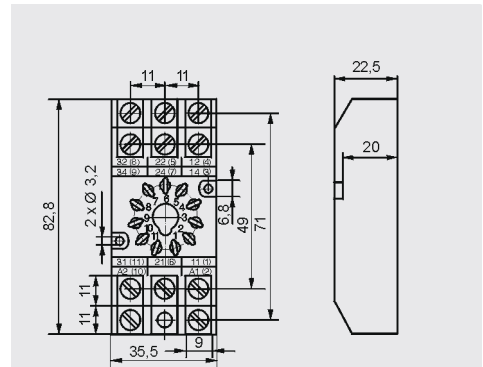


### Mounting dimensions



GZ 1050

### Dimensions



### Accessories

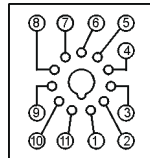
## GZS11

For R15 - 3 CO

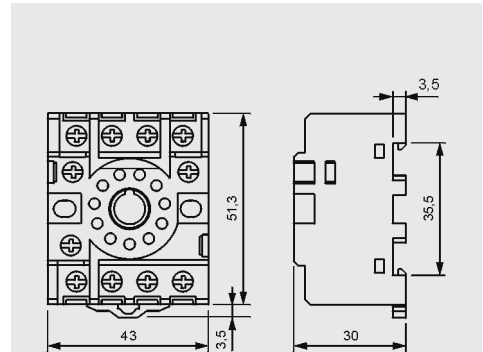
Screw terminals  
Max. tightening moment for the terminal: 1,0 Nm  
35 mm rail mount  
acc. to PN-EN 60715  
or on panel mounting  
51,3 x 43 x 30 mm  
Three poles  
10 A, 300 V AC



### Connection diagram



### Dimensions



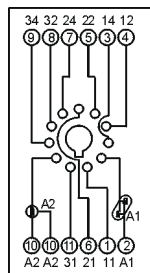
## GZP11

For R15 - 3 CO

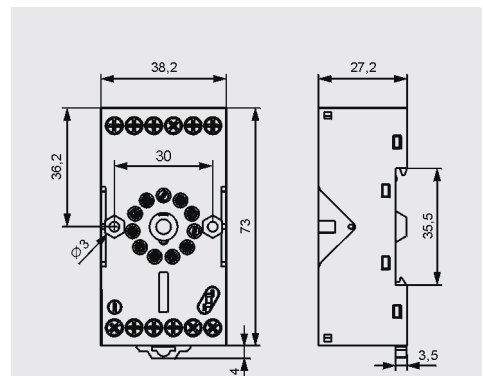
Screw terminals  
Max. tightening moment for the terminal: 0,5 Nm  
35 mm rail mount  
acc. to PN-EN 60715  
or on panel mounting  
73 x 38,2 x 27,2 mm  
Three poles  
12 A, 300 V AC



### Connection diagram



### Dimensions



### Accessories



GZP-0054



Time module COM3



GZP-0035

# Plug-in sockets and accessories

## GOP11

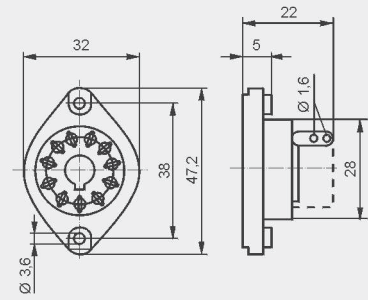
For R15 - 3 CO

Solder terminals  
47,2 x 32 x 22 mm  
Three poles  
10 A, 250 V AC



R159 1051 R15 5922

### Dimensions

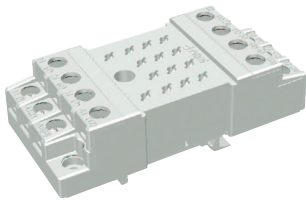


### Accessories

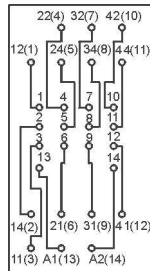
## GZ14U

For R15 - 4 CO

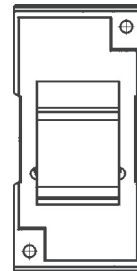
Screw terminals  
Max. tightening moment  
for the terminal: 0,7 Nm  
35 mm rail mount  
acc. to PN-EN 60715  
96,8 x 46,4 x 33,3 mm  
Four poles  
10 A, 250 V AC



### Connection diagram

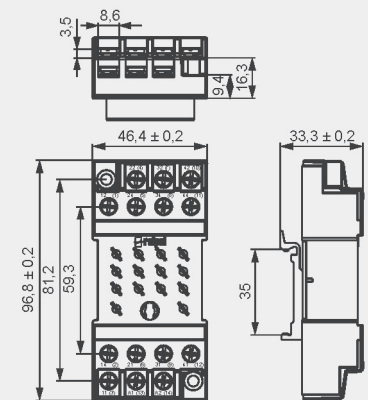


### Adaptor



GZ14 0737

### Dimensions

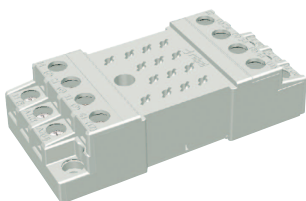


### Accessories

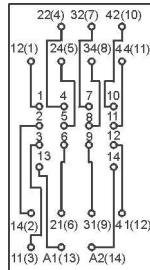
## GZ14

For R15 - 4 CO

Screw terminals  
Max. tightening moment  
for the terminal: 0,7 Nm  
On panel mounting  
96,8 x 46,4 x 24,5 mm  
Four poles  
10 A, 250 V AC



### Connection diagram

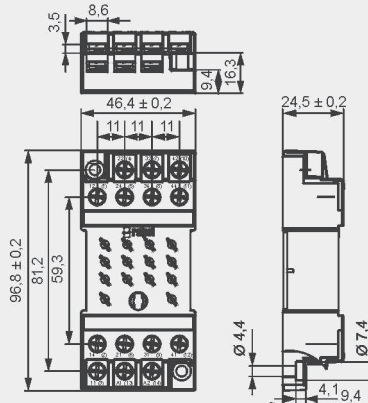


### Mounting dimensions



GZ14 0737

### Dimensions

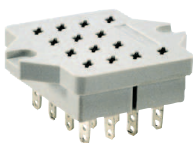


### Accessories

## GOP14

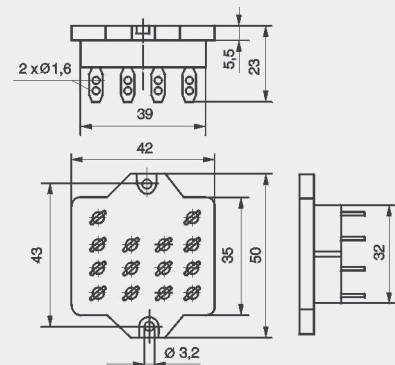
For R15 - 4 CO

Solder terminals  
50 x 42 x 23 mm  
Four poles  
10 A, 250 V AC



R15 0736 R15 5922

### Dimensions



### Accessories

# Plug-in sockets and accessories

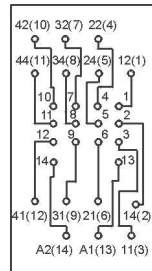
## GZ14Z

For R15 - 4 CO

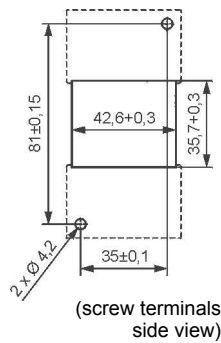
Screw terminals  
Max. tightening moment  
for the terminal: 0,7 Nm  
**On panel mounting, behind**  
92,2 x 46 x 23 mm  
Four poles  
10 A, 250 V AC



### Connection diagram

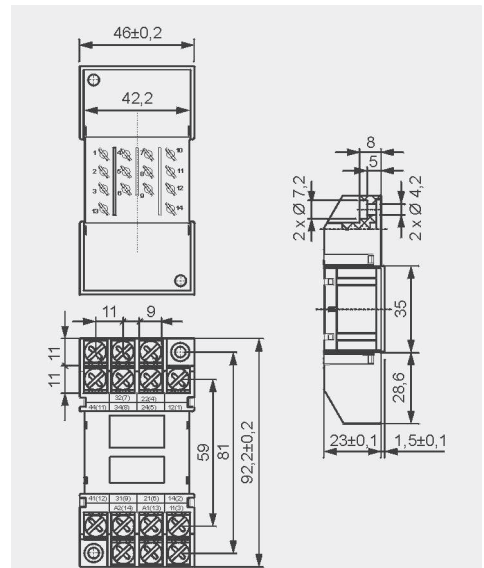


### Mounting dimensions



GZ14 0737

### Dimensions

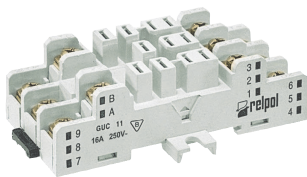


### Accessories

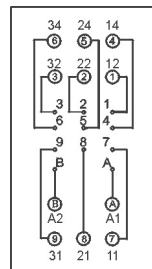
## GUC11

For RUC faston 4,8x0,5, RUC-M

Screw terminals  
Max. tightening moment  
for the terminal: 0,7 Nm  
35 mm rail mount  
acc. to PN-EN 60715  
or on panel mounting  
82 x 42,2 x 26,5 mm  
Three poles  
16 A, 250 V AC

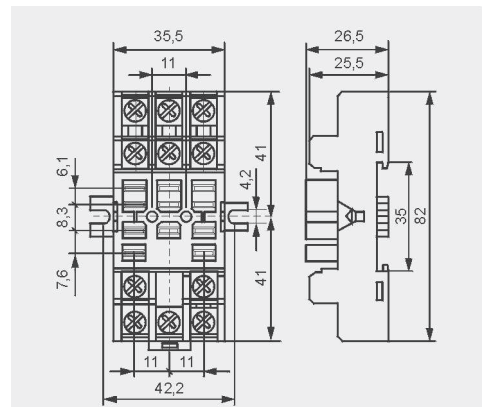


### Connection diagram



MBA

### Dimensions

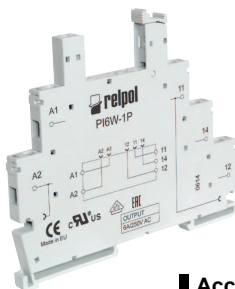


### Accessories

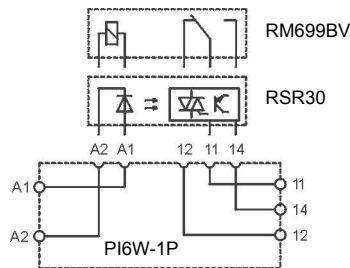
## PI6W-1P

For RM699BV, RSR30

Screw terminals  
Max. tightening moment  
for the terminal: 0,3 Nm  
35 mm rail mount  
acc. to PN-EN 60715  
98,5 x 6,2 x 85,5 mm  
One pole  
6 A, 250 V AC



### Connection diagram

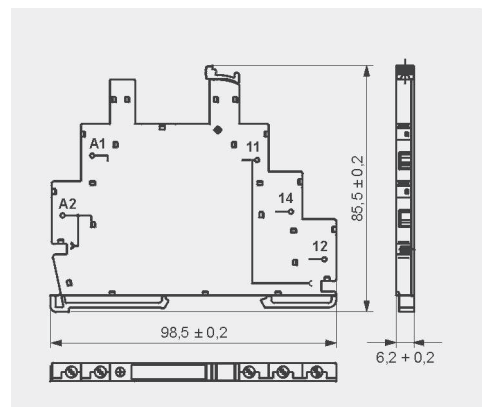


ZG20



PI6W-1246

### Dimensions



⚠ For RUC faston 4,8 x 0,5 and RUC-M, with GUC11 socket, max. switching voltages and coil voltages of relays are limited to 250 V AC / DC.

Ⓢ Solid state relays type RSR30 - see [www.repol.com.pl](http://www.repol.com.pl)

### PRECAUTIONS:

1. Ensure that the parameters of the product described in its specification provide a safety margin for the appropriate operation of the device or system and never use the product in circumstances which exceed the parameters of the product. 2. Never touch any live parts of the device. 3. Ensure that the product has been connected correctly. An incorrect connection may cause malfunction, excessive heating or risk of fire. 4. In case of any risk of any serious material loss or death or injuries of humans or animals, the devices or systems shall be designed so to equip them with double safety system to guarantee their reliable operation.



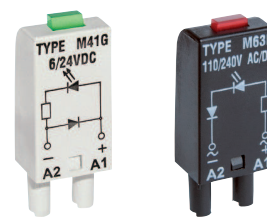
## Signalling / protecting modules type M...

### For sockets type:

GZT80, GZM80, GZS80, GZMB80, GZT92, GZM92, GZS92, ES 32, GZT2, GZM2, GZMB2, GZT3, GZM3, GZT4, GZM4, GZMB4

Modules type M... are parallelly connected with relay coil.

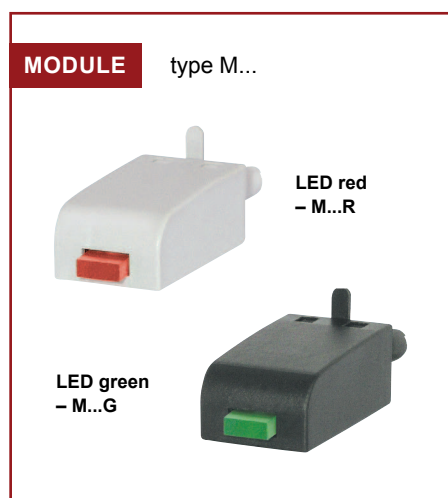
Polarity P: -A1/+A2. Polarity N: +A1/-A2.



Modules type M...	Layout	Voltage	Type of module ① ②
<b>Module D (polarization P)</b> It limits overvoltage on DC coils.		6/230 V DC	M21P
<b>Module D (polarization N)</b> It limits overvoltage on DC coils.		6/230 V DC	M21N
<b>Module LD (polarization P)</b> It limits overvoltage on DC coils. Coil energizing indication.		6/24 V DC 24/60 V DC 110/230 V DC	M31R, M31G M32R, M32G M33R, M33G
<b>Module LD (polarization N)</b> It limits overvoltage on DC coils. Coil energizing indication.		6/24 V DC 24/60 V DC 110/230 V DC	M41R, M41G M42R, M42G M43R, M43G
<b>Module RC</b> It protects against EMC disturbance. It limits overvoltage.		6/24 V AC 24/60 V AC 110/240 V AC	M51 M52 M53
<b>Module L</b> Coil energizing indication.		6/24 V AC/DC 24/60 V AC/DC 110/230 V AC/DC	M61R, M61G M62R, M62G M63R, M63G
<b>Module LV</b> It limits overvoltage on AC and DC coils. Coil energizing indication.		6/24 V AC/DC 24/60 V AC/DC 110/230 V AC/DC	M91R, M91G M92R, M92G M93R, M93G
<b>Module V</b> It limits overvoltage on AC and DC coils. No indication.		24 V AC 130 V AC 230 V AC	M71 M72 M73
<b>Module R</b> It limits overvoltage on AC coils.		110/230 V AC	M103

① M...R - LED red, M...G - LED green

② When ordering modules indicate their color: gray or black.



## Interconnection strips ZGGZ80



PI85-...-00L.  
(RM85 + GZM80)

ZGGZ80

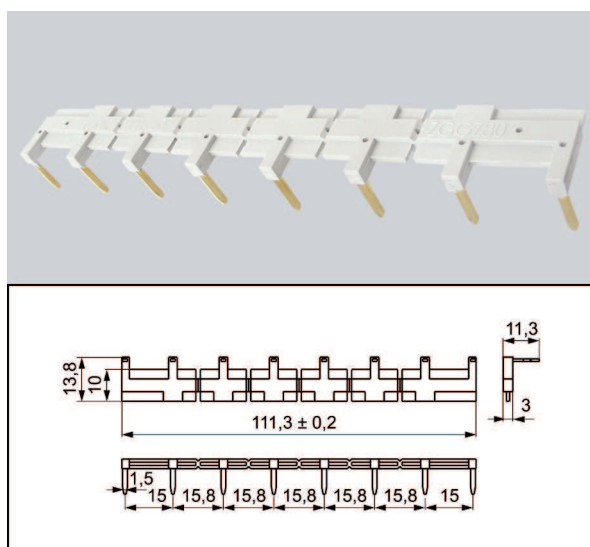
### ZGGZ80 for:

Plug-in sockets	Relays for plug-in sockets	Interface relays ③
GZT80	RM84, RM85, RM85 inrush, RM85 105 °C sensitive, RMB841, RMB851, RM87L ④, RM87P ④, RM87N ④	PI84-...-M...G (RM84 + GZT80)
GZM80		PI84-...-00L. (RM84 + GZM80)
GZS80		PI85-...-M...G (RM85 + GZT80)
GZT92		PI85-...-00L. (RM85 + GZM80)
GZM92		
GZS92		
ES 32	RM96 1 CO	

③ Interface relay PI84 (PI85) is offered as a set: plug-in socket GZT80 or GZM80 + miniature relay RM84 (RM85) + signalling / protecting module type M... + retainer / retractor clip GZT80-0040 + description plate GZT80-0035. ④ Also versions RM87. sensitive

### Interconnection strip ZGGZ80

- designed for the co-operation with plug-in sockets of miniature relays and with interface relays PI84 and PI85, which are equipped with screw terminals; sockets and relays are mounted on 35 mm rail mount acc. to PN-EN 60715,
- bridges common input signals (coil terminals A1 or A2) or output signals - see photo at the top,
- maximum permissible current is 10 A / 250 V AC,
- possibility of connection of 8 sockets or relays,
- colours of strips: **ZGGZ80-1** grey, **ZGGZ80-2** black.



## Interconnection strips ZGGZ4



PIR2-...-00L.  
(R2N + GZM2)

ZGGZ4

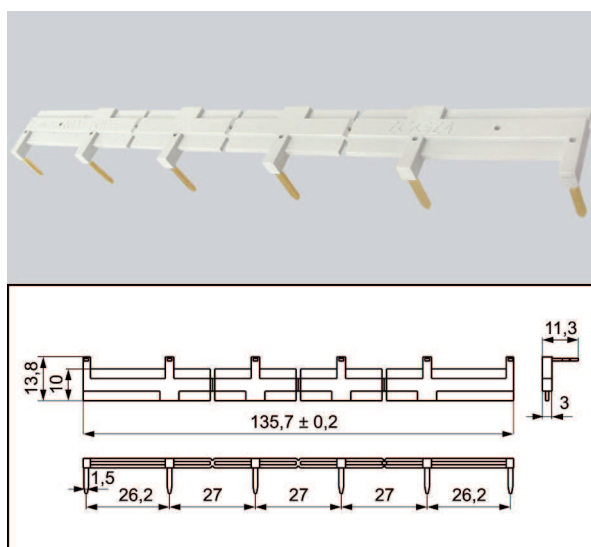
### ZGGZ4 for:

Plug-in sockets	Relays for plug-in sockets	Interface relays <sup>⑥</sup>
GZT2	R2N	PIR2-...-00L. (R2N + GZM2)
GZM2		PIR3-...-00L. (R3N + GZM3)
GZT3	R3N	PIR4-...-00L. (R4N + GZM4)
GZM3		
GZT4	R4N	
GZM4		

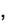

<sup>⑥</sup> Interface relay **PIR2 (PIR3, PIR4)** is offered as a **set**: plug-in socket **GZM2 (GZM3, GZM4)** + miniature industrial relay **R2N (R3N, R4N)** + signalling / protecting module **type M...** + retainer / retractor clip **GZT4-0040** + description plate **GZT4-0035**.








### Interconnection strip ZGGZ4


- designed for the co-operation with plug-in sockets of miniature industrial relays and with interface relays PIR2, PIR3 and PIR4, which are equipped with screw terminals; sockets and relays are mounted on 35 mm rail mount acc. to PN-EN 60715,
- bridges common input signals (coil terminals A1 or A2) or output signals - see photo at the top,
- maximum permissible current is 10 A / 250 V AC,
- possibility of connection of 6 sockets or relays,
- colours of strips: **ZGGZ4-1** grey, **ZGGZ4-2** black.



## Additional features for industrial relays

Industrial relays for plug-in sockets: R2N, R3N, R4N, R15 - 2 CO , R15 - 3 CO  with **WT features as standard** (**W** - mechanical indicator + **T** - lockable front test button). **Detailed information** on additional features of individual relays can be found in the data sheets on the side of "Ordering codes".

Type 	Description	For industrial relays
<b>W</b>	mechanical indicator	R2N, R3N, R4N, (R15 - 2 CO, 3 CO  )
<b>T</b>	lockable front test button, orange colour - AC coils, green colour - DC coils	R2N, R3N, R4N, (R15 - 2 CO, 3 CO  )
<b>L</b>	light indicator (LED diode), located inside the relay	R2N, R3N, R4N, RY2, (R15 - 2 CO, 3 CO, 4 CO  ) RUC, RUC-M
<b>D</b>	surge suppression element (diode) - only for DC coils	R2N, R3N, R4N, RY2, (R15 - 2 CO, 3 CO, 4 CO  )
<b>V</b>	surge suppression element (varistor) - only for AC coils	(R15 - 2 CO, 3 CO  )
<b>K</b>	test button without block function	(R15 - 4 CO  ), RUC

 Available combinations:

**WT, WTL, WTD, WTL D** - in relays R2N, R3N, R4N for plug-in sockets


**L, D, LD** - in relays RY2 for plug-in sockets

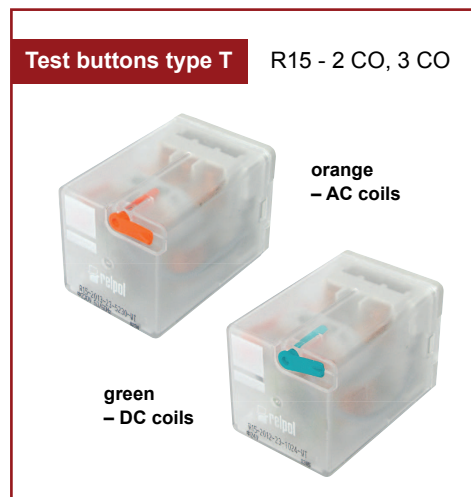
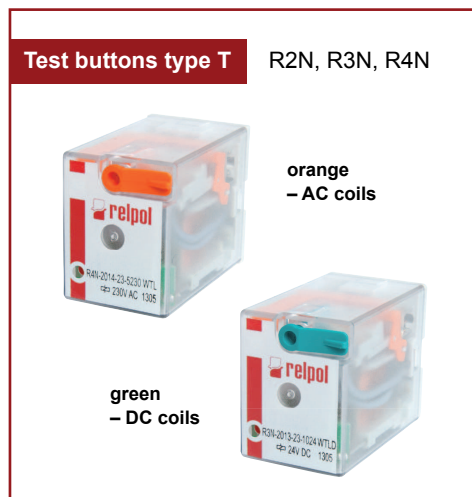
**WT, WTL, WTD, WTL D, WTV, WTL V** - in relays R15 - 2 CO, 3 CO for plug-in sockets

**K, L, D, KL, KD, LD, KLD** - in relays R15 - 4 CO for plug-in sockets

**K, L, KL** - in relays RUC

**L** - in relays RUC-M

 Voltage versions, in covers



## Test buttons (no latching) and plugs

**Test buttons (no latching)** are recommended for R2N...WT, R3N...WT, R4N...WT, R15...WT 2 CO, R15...WT 3 CO relays - **for applications that do not allow permanent contact latching**. By manual operation (pressing the button) relay contacts can get switched for as long time as long the button is pressed. Contacts return to initial position as soon as pressure is released from the button. Those operations can be done while the coil is deenergized.

Button **R4P-0001** or **R15-M404** can be easily inserted by the Customer after removal of button type **T** (see Fig. 2). Button type **T** can be removed with screwdriver as shown on Fig. 1.

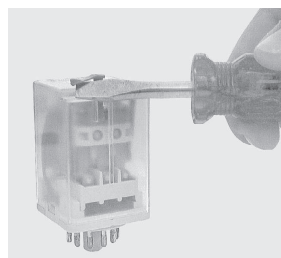


Fig. 1

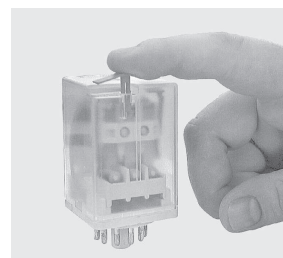
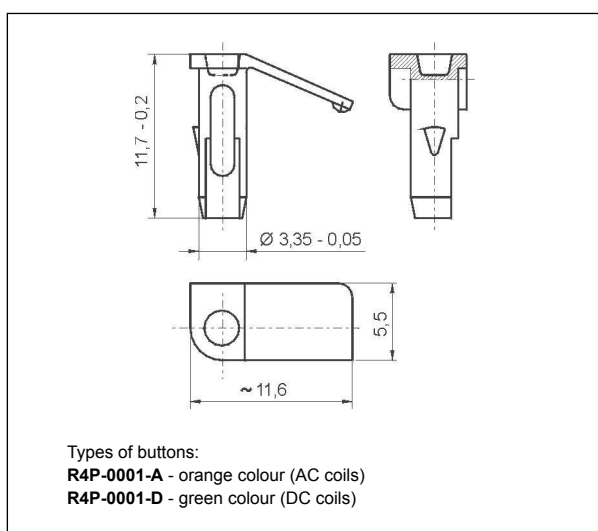
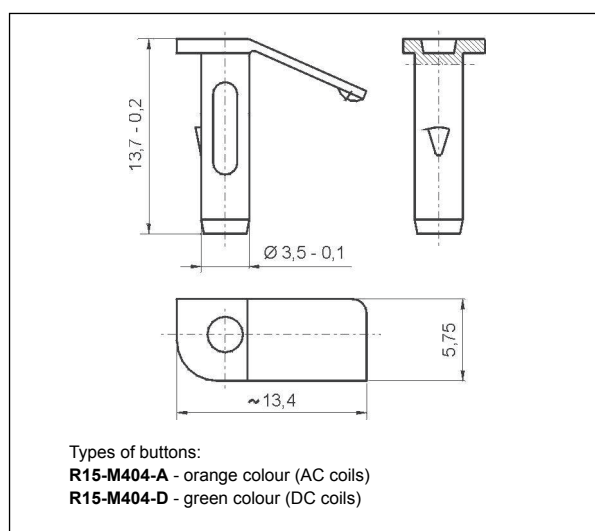


Fig. 2

### Dimensions - test button R4P-0001 for R2N...WT, R3N...WT, R4N...WT

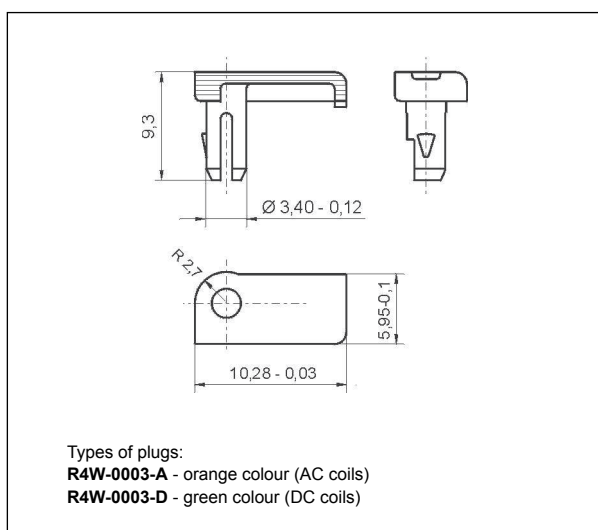


### Dimensions - test button R15-M404 for R15...WT 2 CO, R15...WT 3 CO



**Plugs R4W-0003** or **R15-M203** can substitute button type **T** if **manual operation (latching and testing) is not allowed**. Changing button type **T** for plug can be done by Customer themselves in the same way as changing button type **T** for button (no latching).

### Dimensions - plug R4W-0003 for R2N...WT, R3N...WT, R4N...WT



### Dimensions - plug R15-M203 for R15...WT 2 CO, R15...WT 3 CO

