



HESTORE.HU

elektronikai alkatrész áruház

EN: This Datasheet is presented by the manufacturer.

Please visit our website for pricing and availability at www.hestore.hu.



FCIconnect.com

Copyright FCI.

List of "SFV__R-3/4STBE1HLF" customer document

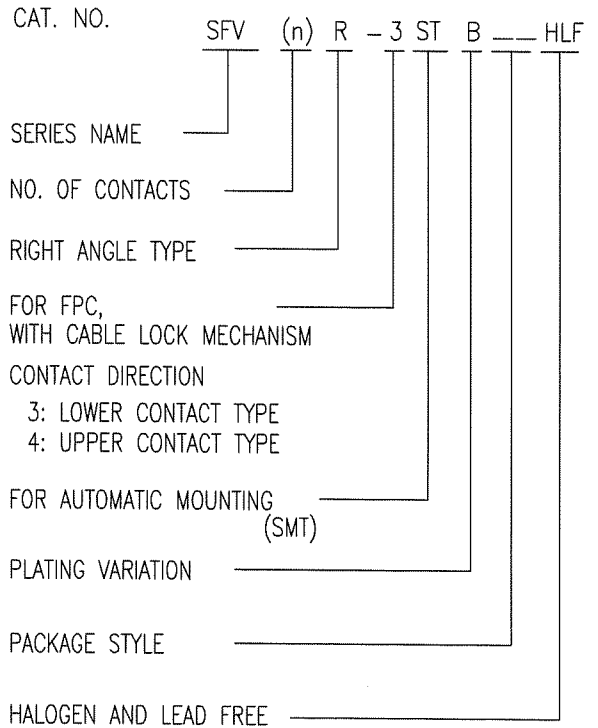
DOCUMENT NO.	LIST
10116954(Sheet1)	DOCUMENT LIST
10116954(Sheet2)	CAT.NO.TABLE FOR 0.5mm CONTACT SPACING CONNECTOR (SFV__R-3/4STB_HLF)
10116954(Sheet3)	CONNECTOR USED FOR FPC WITH 0.5mm CONTACT SPACING (SFV__R-3STB_HLF)
10116954(Sheet4)	CONNECTOR USED FOR FPC WITH 0.5mm CONTACT SPACING (SFV__R-4STB_HLF)
10116954(Sheet5)	CAT.NO.TABLE FOR PLASTIC TAPE PACKAGED 0.5mm CONTACT SPACING CONNECTOR (SFV__R-3/4STBE1HLF)
10116954(Sheet6)	PLASTIC TAPE PACKAGED 0.5mm CONTACT SPACING CONNECTOR (SFV__R-3STBE1HLF)
10116954(Sheet7)	PLASTIC TAPE PACKAGED 0.5mm CONTACT SPACING CONNECTOR (SFV__R-4STBE1HLF)
10116954(Sheet8)	RECOMMENDED CABLE (FPC) (SFV__R-3/4STB_HLF)
GS-12-0783	SPEC.
BJM-SFV102	HANDLING PROCEDURES

mat'l. code				surface ISO 1302 <input checked="" type="checkbox"/>		tolerance ISO 406 ISO 1101		projection 		product family 58EF		CODE JP			
ltr A		ecn no J11-0011		dr S.W.		date 2011-1-14		tolerances unless otherwise specified		title 0.5mm SPACING FPC CONNECTOR DOCUMENT LIST (Cat. No. : SFV__R-3/4STBE1HLF)					
				angles linear				mm 		scale X					
				dr <i>S. Nishimura</i>		2011-1-14				dwg no 10116954		sheet 1 of 8 size A4			
				enrg <i>S. Nishimura</i>		2011-1-14				type Product Customer Drawing					
				chr <i>N. Yamada</i>		2011-1-14									
				appd <i>M. Uemura</i>		Jan 11									
sheet index		revision sheet		A		A		A		A		Rev. A			
		1 2		3 4		5 6		7 8							

form: A4

CAT. NO. & DIMENSIONS

NO. OF CONTACTS (n)	CAT. NO.	DIMENSIONS (NOTE2)			
		A ± 0.2	B ± 0.2	C ± 0.1	D ± 0.1
4	SFV 4R-3/4STB__HLF	7.5	5.9	1.5	1.6
5	SFV 5R-3/4STB__HLF	8.0	6.4	2.0	2.1
6	SFV 6R-3/4STB__HLF	8.5	6.9	2.5	2.6
7	SFV 7R-3/4STB__HLF	9.0	7.4	3.0	3.1
8	SFV 8R-3/4STB__HLF	9.5	7.9	3.5	3.6
9	SFV 9R-3/4STB__HLF	10.0	8.4	4.0	4.1
10	SFV10R-3/4STB__HLF	10.5	8.9	4.5	4.6
11	SFV11R-3/4STB__HLF	11.0	9.4	5.0	5.1
12	SFV12R-3/4STB__HLF	11.5	9.9	5.5	5.6
13	SFV13R-3/4STB__HLF	12.0	10.4	6.0	6.1
14	SFV14R-3/4STB__HLF	12.5	10.9	6.5	6.6
15	SFV15R-3/4STB__HLF	13.0	11.4	7.0	7.1
16	SFV16R-3/4STB__HLF	13.5	11.9	7.5	7.6
17	SFV17R-3/4STB__HLF	14.0	12.4	8.0	8.1
18	SFV18R-3/4STB__HLF	14.5	12.9	8.5	8.6
19	SFV19R-3/4STB__HLF	15.0	13.4	9.0	9.1
20	SFV20R-3/4STB__HLF	15.5	13.9	9.5	9.6
21	SFV21R-3/4STB__HLF	16.0	14.4	10.0	10.1
22	SFV22R-3/4STB__HLF	16.5	14.9	10.5	10.6
23	SFV23R-3/4STB__HLF	17.0	15.4	11.0	11.1
24	SFV24R-3/4STB__HLF	17.5	15.9	11.5	11.6
25	SFV25R-3/4STB__HLF	18.0	16.4	12.0	12.1
26	SFV26R-3/4STB__HLF	18.5	16.9	12.5	12.6
27	SFV27R-3/4STB__HLF	19.0	17.4	13.0	13.1
28	SFV28R-3/4STB__HLF	19.5	17.9	13.5	13.6
29	SFV29R-3/4STB__HLF	20.0	18.4	14.0	14.1
30	SFV30R-3/4STB__HLF	20.5	18.9	14.5	14.6
31	SFV31R-3/4STB__HLF	21.0	19.4	15.0	15.1
32	SFV32R-3/4STB__HLF	21.5	19.9	15.5	15.6
33	SFV33R-3/4STB__HLF	22.0	20.4	16.0	16.1
34	SFV34R-3/4STB__HLF	22.5	20.9	16.5	16.6
35	SFV35R-3/4STB__HLF	23.0	21.4	17.0	17.1



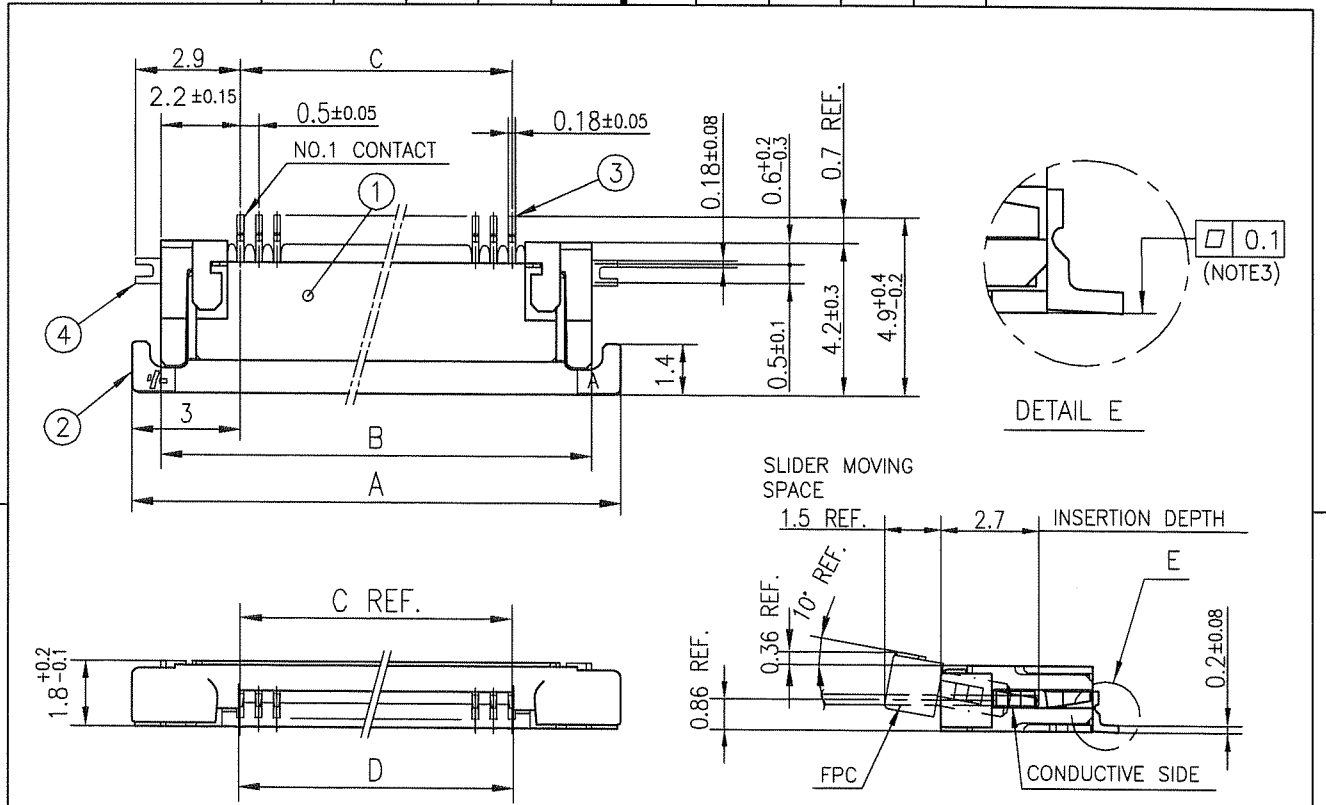
NOTES

1. THIS PRODUCT IS THE CONNECTOR USED FOR FPC AND COPES WITH AUTOMATIC MOUNTING (SMT).
2. SEE PART DRAWINGS FOR DIMENSIONS A~D.
3. THIS PRODUCT IS THE CONNECTOR WITH CABLE LOCK MECHANISM.

FCI connect.com

Copyright FCI.

mat'l. code				surface ISO 1302 <input checked="" type="checkbox"/>		tolerance ISO 406 ISO 1101		projection		product family 58EF		CODE JP	
ltr		ecn no		dr		date		tolerances unless otherwise specified		title		sheet 2 of 8	
A								mm		CAT. NO. TABLE FOR 0.5 mm CONTACT SPACING CONNECTOR (Cat. No. : SFV__R-3/4STB__HLF)		size A4	
				angles		linear		scale \propto		dwg no 10116954			
				dr		S. Withler 2011-1-14				type Product Customer Drawing			
				enrg		S. Withler 2011-1-14						Rev. A	
				chr		Y. Sampudia 2011-1-14							
				appd		[Signature] 2011-1-14							
sheet index		revision sheet											

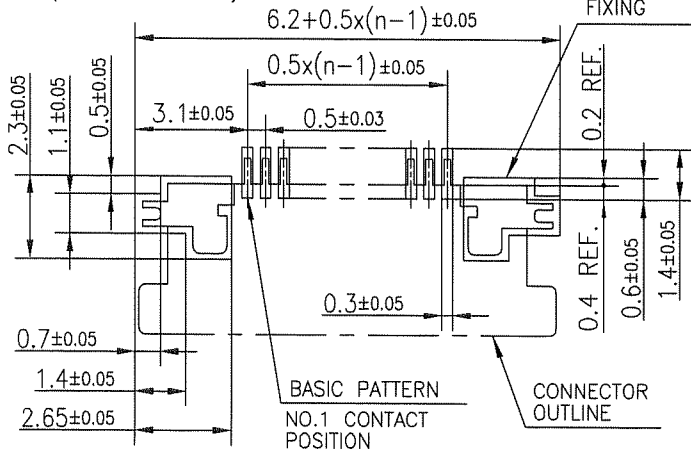


PT. NO.	PARTS NAME	MATERIAL	Q'TY	NOTE
1	HOUSING	13~35pin : LCP RESIN GLASS REINFORCED (UL94V-0)	1	COLOR : BLACK (HALOGEN FREE)
		4~12pin : POLYAMIDE RESIN GLASS REINFORCED (UL94V-0)		
2	SLIDER	PPS RESIN GLASS REINFORCED (UL94V-0)	1	COLOR : GRAY (HALOGEN FREE)
3	CONTACT	PHOSPHOR BRONZE	n	PLATING : GOLD
4	MOUNTING PLATE		2	PLATING : MATTE TIN

RECOMMENDED PC BOARD LAYOUT (COMPONENT SIDE)

PATTERN FOR MOUNTING PLATE FIXING

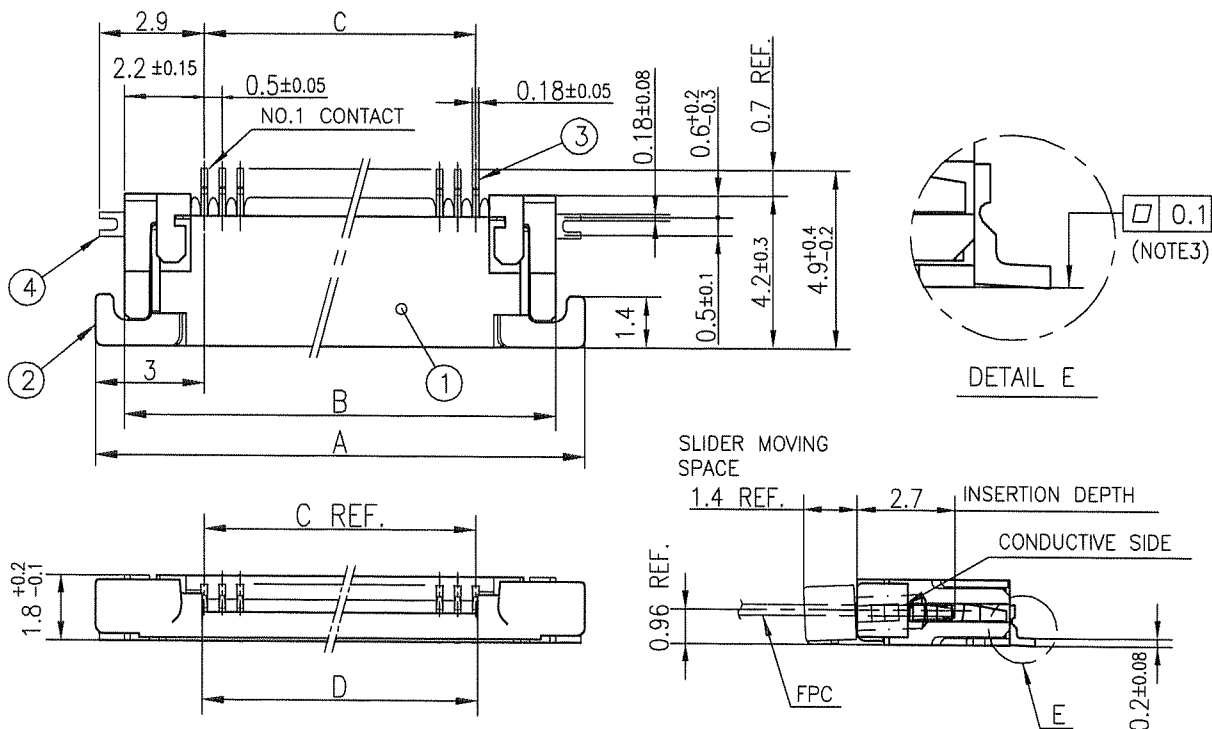
n : NO. OF CONTACTS



NOTES

1. THIS PRODUCT IS THE CONNECTOR USED FOR FPC AND COPES WITH AUTOMATIC MOUNTING (SMT).
2. THIS PRODUCT IS LOWER CONTACT TYPE CONNECTOR WITH CABLE LOCK MECHANISM.
3. FLATNESS OF CONTACT TERMINAL AND MOUNTING PLATE MUST BE WITHIN TOLERANCE IN E PORTION DETAILED DRAWING.
4. THIS PRODUCT MEETS EUROPEAN UNION DIRECTIVES AND OTHER COUNTRY REGULATIONS AS DESCRIBED IN GS-22-008.
5. THE HOUSING WILL WITHSTAND EXPOSURE TO 260°C PEAK TEMPERATURE FOR 10 SECONDS IN A REFLOW SOLDERING OVEN.

mat'l. code		surface ISO 1302		tolerance ISO 406		projection		product family 58EF		CODE JP	
ltr		ecn no		dr		date		tolerances unless otherwise specified		title	
A								±0.2		CONNECTOR USED FOR FPC WITH 0.5 mm CONTACT SPACING (Cat. No. : SFV__R-3STB__HLF)	
				angles		linear		mm		scale	
								X		sheet 3 of 8	
				dr		2011-1-14		FPC		size A4	
				enr		2011-1-14				10116954	
				chr		2011-1-14				type Product Customer Drawing	
				appd		JCM/LL/11				Rev. A	
sheet index		revision sheet									

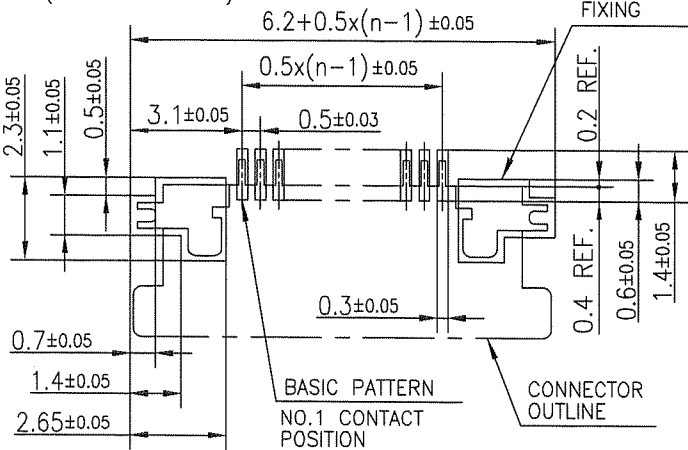


PT. NO.	PARTS NAME	MATERIAL	Q'TY	NOTE
1	HOUSING	13~35pin : LCP RESIN GLASS REINFORCED (UL94V-0)	1	COLOR : BLACK (HALOGEN FREE)
		4~12pin : POLYAMIDE RESIN GLASS REINFORCED (UL94V-0)		
2	SLIDER	PPS RESIN GLASS REINFORCED (UL94V-0)	1	COLOR : GRAY (HALOGEN FREE)
3	CONTACT	PHOSPHOR BRONZE	n	PLATING : GOLD WITH Ni DAM
4	MOUNTING PLATE		2	PLATING : MATTE TIN

n : NO. OF CONTACTS

RECOMMENDED PC BOARD LAYOUT
(COMPONENT SIDE)

PATTERN FOR MOUNTING PLATE FIXING



NOTES

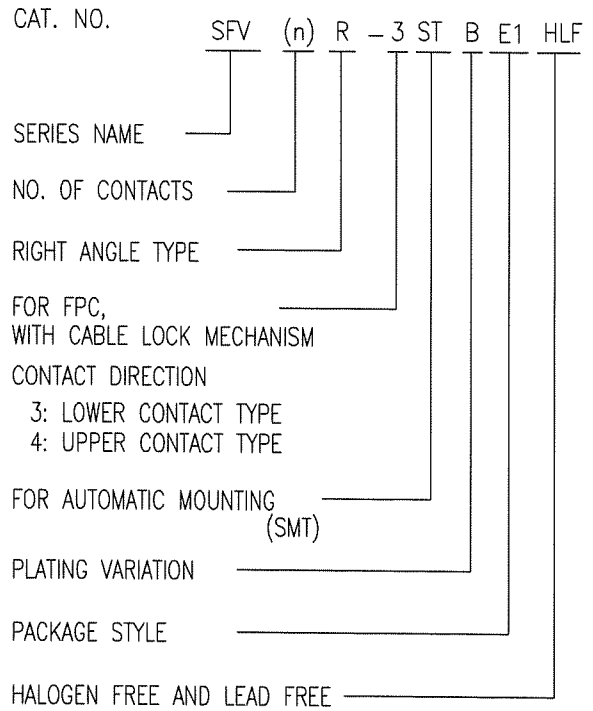
1. THIS PRODUCT IS THE CONNECTOR USED FOR FPC AND COPES WITH AUTOMATIC MOUNTING (SMT).
2. THIS PRODUCT IS UPPER CONTACT TYPE CONNECTOR WITH CABLE LOCK MECHANISM.
3. FLATNESS OF CONTACT TERMINAL AND MOUNTING PLATE MUST BE WITHIN TOLERANCE IN E PORTION DETAILED DRAWING.
4. THIS PRODUCT MEETS EUROPEAN UNION DIRECTIVES AND OTHER COUNTRY REGULATIONS AS DESCRIBED IN GS-22-008.
5. THE HOUSING WILL WITHSTAND EXPOSURE TO 260°C PEAK TEMPERATURE FOR 10 SECONDS IN A REFLOW SOLDERING OVEN.

mat'l. code		surface	tolerance	projection	product family	58EF	CODE	JP
ltr		ecn no	dr	date	title			
A					CONNECTOR USED FOR FPC WITH 0.5 mm CONTACT SPACING (Cat. No. : SFV__R-4STB__HLF)			
sheet index		revision sheet	dr		dwg no		sheet 4 of 8	size
			engr		10116954		A4	
			chr		type		Product Customer Drawing	
			appd				Rev. A	



CAT. NO. & DIMENSIONS

NO. OF CONTACTS (n)	CAT. NO.	DIMENSIONS (NOTE3)		
		F ± 5	G ± 0.3	H ± 0.1
4	SFV 4R-3/4STBE1HLF	20.4	16	—
5	SFV 5R-3/4STBE1HLF	20.4	16	—
6	SFV 6R-3/4STBE1HLF	20.4	16	—
7	SFV 7R-3/4STBE1HLF	28.4	24	—
8	SFV 8R-3/4STBE1HLF	28.4	24	—
9	SFV 9R-3/4STBE1HLF	28.4	24	—
10	SFV10R-3/4STBE1HLF	28.4	24	—
11	SFV11R-3/4STBE1HLF	28.4	24	—
12	SFV12R-3/4STBE1HLF	28.4	24	—
13	SFV13R-3/4STBE1HLF	28.4	24	—
14	SFV14R-3/4STBE1HLF	28.4	24	—
15	SFV15R-3/4STBE1HLF	28.4	24	—
16	SFV16R-3/4STBE1HLF	28.4	24	—
17	SFV17R-3/4STBE1HLF	28.4	24	—
18	SFV18R-3/4STBE1HLF	28.4	24	—
19	SFV19R-3/4STBE1HLF	28.4	24	—
20	SFV20R-3/4STBE1HLF	28.4	24	—
21	SFV21R-3/4STBE1HLF	28.4	24	—
22	SFV22R-3/4STBE1HLF	28.4	24	—
23	SFV23R-3/4STBE1HLF	36.4	32	28.4
24	SFV24R-3/4STBE1HLF	36.4	32	28.4
25	SFV25R-3/4STBE1HLF	36.4	32	28.4
26	SFV26R-3/4STBE1HLF	36.4	32	28.4
27	SFV27R-3/4STBE1HLF	36.4	32	28.4
28	SFV28R-3/4STBE1HLF	36.4	32	28.4
29	SFV29R-3/4STBE1HLF	36.4	32	28.4
30	SFV30R-3/4STBE1HLF	36.4	32	28.4
31	SFV31R-3/4STBE1HLF	48.4	44	40.4
32	SFV32R-3/4STBE1HLF	48.4	44	40.4
33	SFV33R-3/4STBE1HLF	48.4	44	40.4
34	SFV34R-3/4STBE1HLF	48.4	44	40.4
35	SFV35R-3/4STBE1HLF	48.4	44	40.4



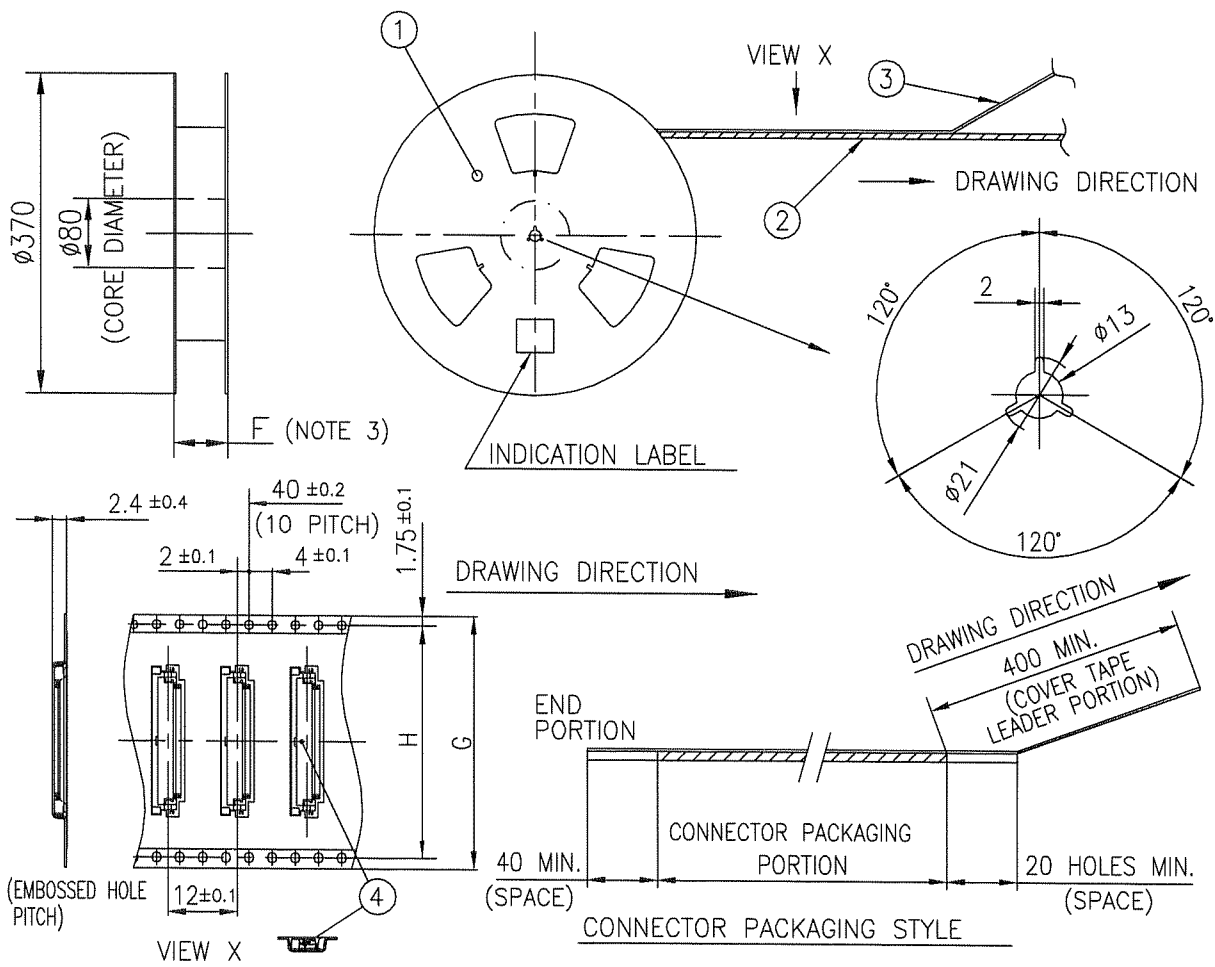
NOTES

1. THIS PRODUCT IS THE CONNECTOR USED FOR FPC AND COPES WITH AUTOMATIC MOUNTING (SMT).
2. THIS CATALOG NO. INDICATES PLASTIC TAPE PACKAGED
3. SEE PART DRAWINGS FOR DIMENSIONS F~H.
4. THIS PRODUCT IS THE CONNECTOR WITH CABLE LOCK MECHANISM.



Copyright FCI.

mat'l. code				surface ISO 1302 <input checked="" type="checkbox"/>		tolerance ISO 406 ISO 1101		projection		product family 58EF		CODE JP	
ltr ecn no dr date				tolerances unless otherwise specified				mm		title			
A				angles linear				scale \propto		CAT. NO. TABLE FOR PLASTIC TAPE PACKAGED 0.5 mm CONTACT SPACING CONNECTOR (Cat. No. : SFV__R-3/4STBE1HLF)			
				dr		S. H. T. 2011-1-14		FCI		dwg no		sheet 5 of 8 size	
				enr		S. H. T. 2011-1-14				10116954		A4	
				chr		V. Ramoju 2011-1-14				type Product Customer Drawing			
				appd		MCM Jan 14/11							
sheet index		revision sheet										Rev. A	

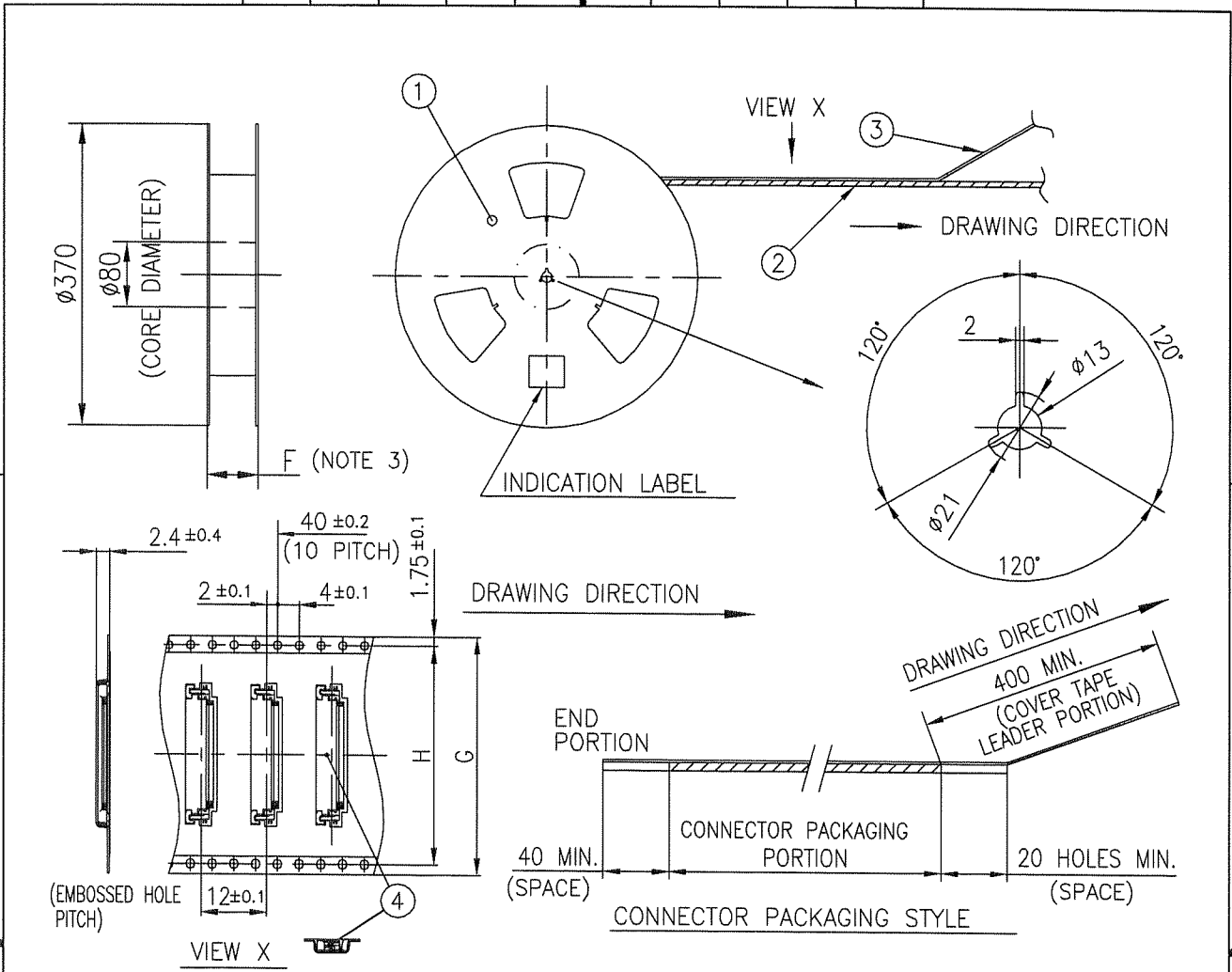


PT. NO.	PARTS NAME	CAT. NO.	MATERIAL	Q'TY	NOTE
1	REEL	_____	CARDBOARD	1	COLOR : WHITE
2	PLASTIC (EMBOSS) TAPE	_____	A-PET	_____	COLOR : TRANSPARENCY
3	COVER	_____	POLYESTER	_____	COLO : TRANSPARENCY
4	CONNECTOR	SFV__R-3STB__HLF	SEE ATTACHED DWG.	3000	LOWER CONTACT TYPE WITH CABLE LOCK MECHANISM

- NOTES
- THIS IS PLASTIC TAPE PACKAGED CONNECTOR USED FOR FPC AND COPES WITH AUTOMATIC MOUNTING (SMT).
 - SEE JIS C 0806 (PACKING OF ELECTRONIC COMPONENTS ON CONTINUOUS TAPES (SURFACE MOUNTING DEVICES)) FOR SHAPE AND DIMENSIONS OF PLASTIC (EMBOSS) TAPE AND REEL.
 - F DIMENSION IS PORTION OF THE CORE.

mat'l. code		surface <input checked="" type="checkbox"/> ISO 1302 <input checked="" type="checkbox"/> ISO 406 <input checked="" type="checkbox"/> ISO 1101		tolerance		projection		product family		58EF		CODE JP	
ltr		ecn no		dr		date		tolerances unless otherwise specified		mm		title	
A								±5		mm		PLASTIC TAPE PACKAGED 0.5 mm CONTACT SPACING CONNECTOR (Cat. No. : SFV__R-3STBE1HLF)	
				angles		linear		±5'		scale		dwg no	
				±5'				X		sheet 6 of 8		size	
				dr		S. Watanabe		2011-1-14		10116954		A4	
				enrg		S. Watanabe		2011-1-14		type		Product Customer Drawing	
				chr		Y. Yamashita		2011-1-14					
				appd		M. Matsuda		Jan 11					
sheet index		revision sheet										Rev. A	

FCI
 FCIconnect.com
 Copyright FCI.



PT. NO.	PARTS NAME	CAT. NO.	MATERIAL	Q'TY	NOTE
1	REEL	_____	CARDBOARD	1	COLOR : WHITE
2	PLASTIC (EMBOSS) TAPE	_____	A-PET	_____	COLOR : TRANSPARENCY
3	COVER	_____	POLYESTER	_____	COLOR : TRANSPARENCY
4	CONNECTOR	SFV__R-4STB__HLF	SEE ATTACHED DWG.	3000	UPPER CONTACT TYPE WITH CABLE LOCK MECHANISM

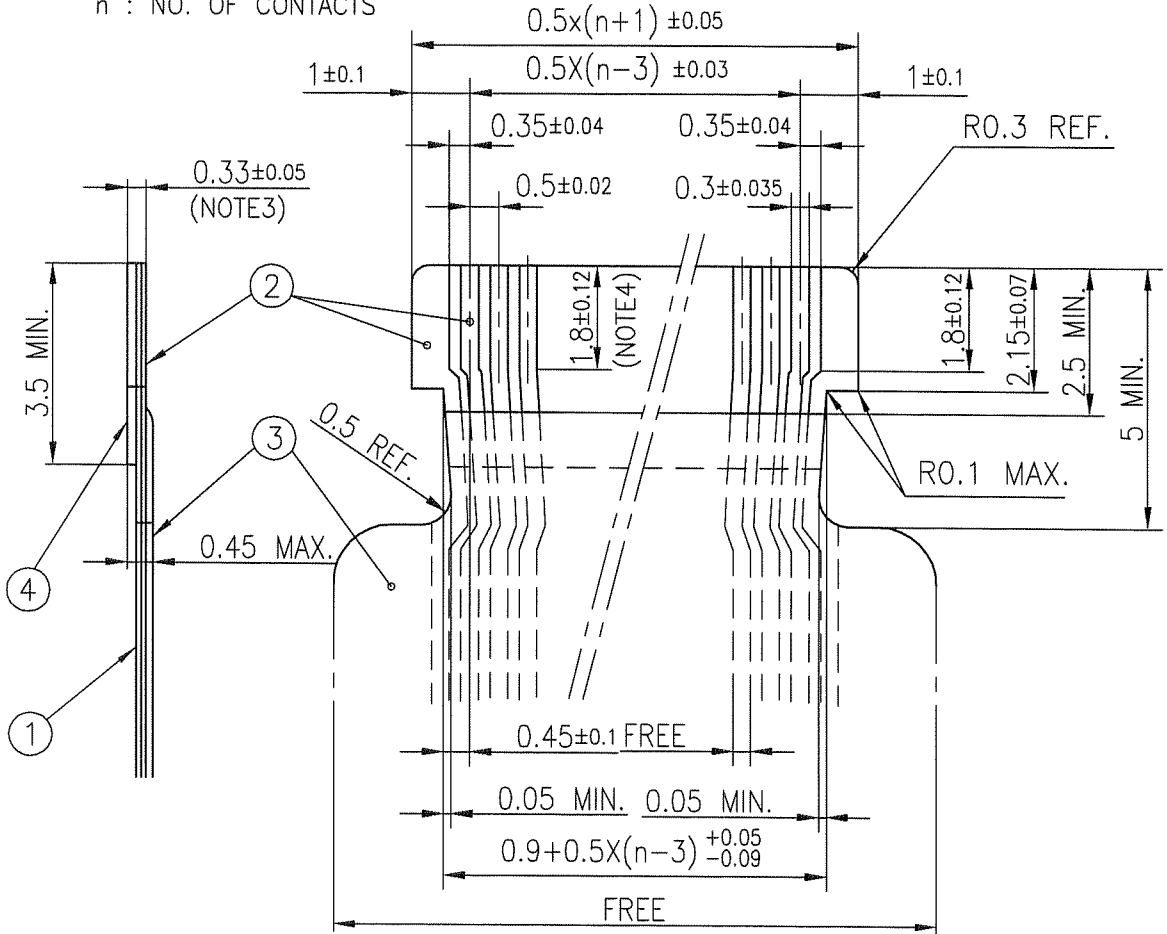
- NOTES
1. THIS IS PLASTIC TAPE PACKAGED CONNECTOR USED FOR FPC AND COPES WITH AUTOMATIC MOUNTING (SMT).
 2. SEE JIS C 0806 (PACKING OF ELECTRONIC COMPONENTS ON CONTINUOUS TAPES (SURFACE MOUNTING DEVICES)) FOR SHAPE AND DIMENSIONS OF PLASTIC (EMBOSS) TAPE AND REEL.
 3. F DIMENSION IS PORTION OF THE CORE.

mat'l. code		surface <input checked="" type="checkbox"/> ISO 1302 <input checked="" type="checkbox"/> ISO 406 <input checked="" type="checkbox"/> ISO 1101		projection		product family 58EF		CODE JP	
ltr A		ecn no		dr		date		title	
								PLASTIC TAPE PACKAGED 0.5 mm CONTACT SPACING CONNECTOR (Cat. No. : SFV__R-4STBE1HLF)	
		angles linear		±5		mm		scale \propto	
		dr		S. Watanabe		2011-1-14		dwg no sheet 7 of 8 size	
		enrg		S. Watanabe		2011-1-14		10116954 A4	
		chr		Z. Kamada		2011-1-14			
		appd		D. M. [Signature]		JAN 14 11		type Product Customer Drawing	
sheet index		revision sheet						Rev. A	

FCJ
 FCconnect.com
 Copyright FCJ

RECOMMENDED CABLE (FPC)

n : NO. OF CONTACTS



PT. NO.	PARTS NAME	MATERIAL	THICKNESS (°m)
1	BASE FILM	POLYIMIDE OR POLYESTER OR EQUAL	25
2	CONDUCTOR	COPPER FOIL(PLATING : GOLD)	35
3	OVERLAY	POLYIMIDE OR POLYESTER OR EQUAL	—
4	SUPPORTING TAPE	POLYESTER OR POLYIMIDE OR EQUAL	188

NOTES

1. NO BURR AT EACH PORTION.
2. NO PEELING IN COMMON USE.
3. TOTAL THICKNESS LIMIT OF EACH MATERIAL (INCLUDING ADHESIVE AGENT) IS SPECIFIED.
4. THIS DIMENSION INDICATES THE RANGE FOR 0.3±0.035 CONDUCTOR WIDTH.

mat'l. code				surface <input checked="" type="checkbox"/> ISO 1302 <input type="checkbox"/> tolerance <input checked="" type="checkbox"/> ISO 406 <input type="checkbox"/> ISO 1101		projection		product family 58EF		CODE JP	
ltr ecn no dr date				tolerances unless otherwise specified		mm		title			
A				angles linear		scale \times		RECOMMENDED CABLE (Cat. No. : SFV__R-3/4STB__HLF)			
dr				S. Hattori 2011-1-14				dwg no		sheet 8 of 8 size	
enrg				S. Hattori 2011-1-14				10116954		A4	
chr				Y. Yamada 2011-1-14				type		Product Customer Drawing	
appd				M. Ueda 2011-1-14							
sheet index		revision sheet								Rev. A	