



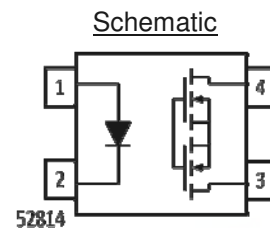
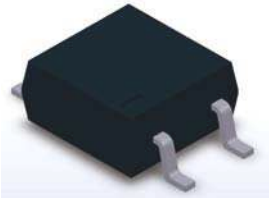
**HESTORE.HU**

elektronikai alkatrész áruház

**EN:** This Datasheet is presented by the manufacturer.

Please visit our website for pricing and availability at [www.hestore.hu](http://www.hestore.hu).

## 4PIN MINI FLAT PACKAGE SOLID STATE RELAY ELM4XXA(BMS) SERIES



### Pin Configuration

- 1, LED Anode
- 2, LED Cathode
- 3, MOSFET

### Features

- Compliance Halogen Free(Br < 900ppm, Cl < 900ppm, Br+Cl < 1500ppm)
- Normally open signal pole signal throw relay
- Small 4pin SOP package in the 400V & 600V load voltage series
- Lower operation current
- Low-level off state leakage current
- Low on resistance
- Compliance with EU REACH
- Pb free and RoHS compliant
- UL and cUL (approved)
- VDE (approved)
- SEMKO (approved)
- NEMKO (approved)
- FIMKO (approved)
- CQC (approved)
- Qualified to AEC-Q101 test guidelines

### Description

The ELM4XXA(BMS) is solid state relays containing an AlGaAs infrared LEDs on the light emitting side (input side) optically coupled to a high voltage output detector circuit. The detector consists of a photovoltaic diode array and MOSFETs on the output side. The single channel configuration is equivalent to 1 form A EMR. The devices in a 4-pin small outline SMD package

### Applications

- Exchange equipment
- Measurement and testing equipment
- FA/OA equipment
- Industrial controls
- Security

**Absolute Maximum Ratings (T<sub>A</sub>=25 °C, unless otherwise specified)**

	Parameter	Symbol	Rating		Unit
			ELM440A	ELM460A	
Input	Forward Current	I <sub>F</sub>	50		mA
	Reverse Voltage	V <sub>R</sub>	5		V
	Peak Forward Current*1	I <sub>FP</sub>	1		A
	Power Dissipation	P <sub>in</sub>	75		mW
Output	Break Down Voltage*2	V <sub>L</sub>	400	600	V
	Continuous Load Current*2	I <sub>L</sub>	120	50	mA
	Pulse Load Current*3	I <sub>LPeak</sub>	0.3	0.15	A
	Power Dissipation	P <sub>out</sub>	500		mW
Total Power Dissipation		P <sub>T</sub>	550		mW
Isolation Voltage*4		V <sub>iso</sub>	3750		Vrms
Storage Temperature		T <sub>STG</sub>	-40 to 150		°C
Operating Temperature		T <sub>OPR</sub>	-40 to 125		°C
Soldering Temperature*5		T <sub>SOL</sub>	260		°C

Notes:

\*1. f =100Hz, Duty Cycle = 0.1%

\*2. Indicate the peak AC and DC values

\*3. A connection: 100ms (1 shot), V<sub>L</sub> = DC or Peak AC

\*4. AC for 1 minute, R.H. = 40 ~ 60% R.H. In this test, pins 1, 2 are shorted together, and pins 3, 4 are shorted together.

\*5. For 10 seconds

**Electro-Optical Characteristics (T<sub>A</sub>=25 °C)**

	Parameter	Symbol	Condition	Min.	Typ.	Max.	Unit	
Input	Forward Voltage	V <sub>F</sub>	I <sub>F</sub> = 10mA	-	1.18	1.5	V	
	Reverse Current	I <sub>R</sub>	V <sub>R</sub> = 5V	-	-	1	μA	
Output	Off State leakage Current	I <sub>leak</sub>	I <sub>F</sub> = 0mA, V <sub>L</sub> = Max.	-	-	1	μA	
	On Resistance	ELM440A	I <sub>F</sub> = 10mA, I <sub>L</sub> = Max. t = 1s	-	20	30	Ω	
		ELM460A			40	70		
	Output Capacitance	ELM440A	C <sub>out</sub>	V <sub>L</sub> = 0V, f = 1MHz	-	45	-	pF
ELM460A		30						
Transfer Characteristics	LED turn on Current	ELM440A ELM460A	I <sub>F(on)</sub>	I <sub>L</sub> = Max.	-	1	5	mA
	LED turn off current	ELM440A ELM460A	I <sub>F(off)</sub>	I <sub>L</sub> = 1μA	0.2	0.6	-	mA
	Turn On Time	ELM440A	T <sub>on</sub>	I <sub>F</sub> = 10 mA, I <sub>L</sub> = MAX. R <sub>L</sub> = 200Ω ,	-	0.1	0.5	ms
		ELM460A						
	Turn Off Time	ELM440A	T <sub>off</sub>			0.2		ms
		ELM460A						
	Isolation Resistance		R <sub>I-O</sub>	V <sub>I-O</sub> = 500V DC	5×10 <sup>10</sup>	-	-	Ω
Isolation Capacitance		C <sub>I-O</sub>	V = 0V, f = 1MHz	-	1.5	-	pF	

Typical Electro-Optical Characteristics Curves

Figure 1. Load current vs Ambient temperature

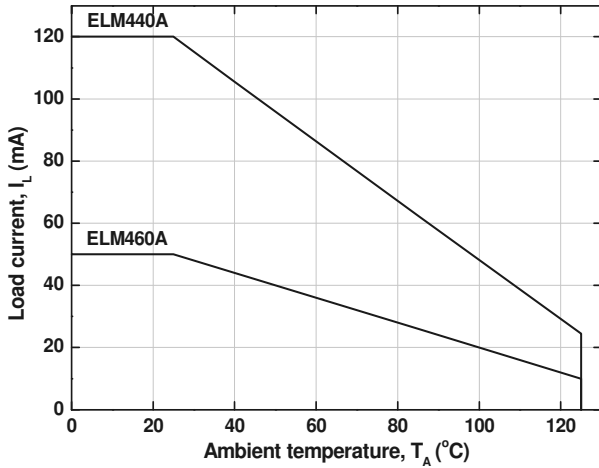


Figure 2. On Resistance vs Ambient Temperature

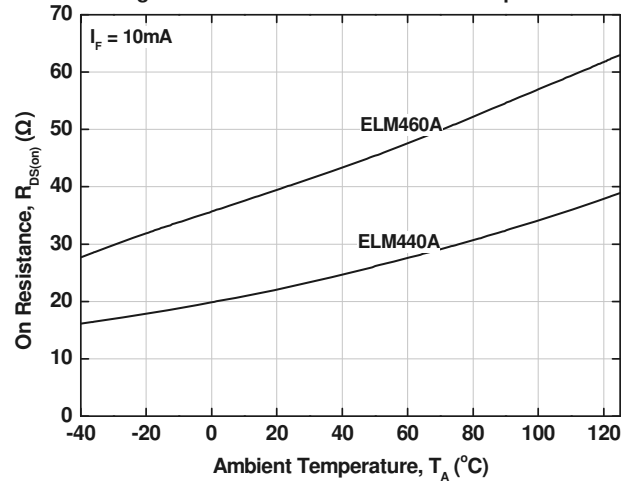


Figure 3. Switching Time vs Ambient Temperature

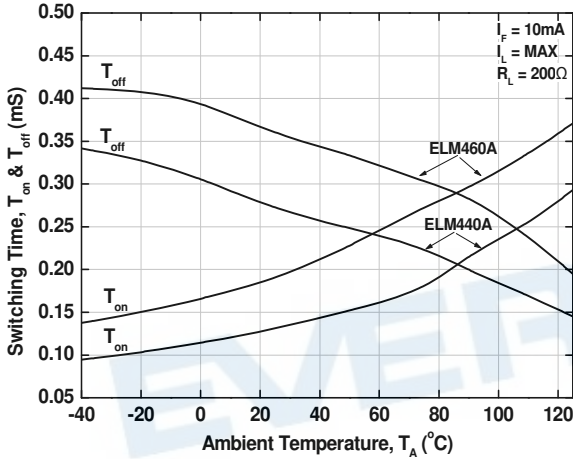


Figure 4. Switching time vs LED forward current

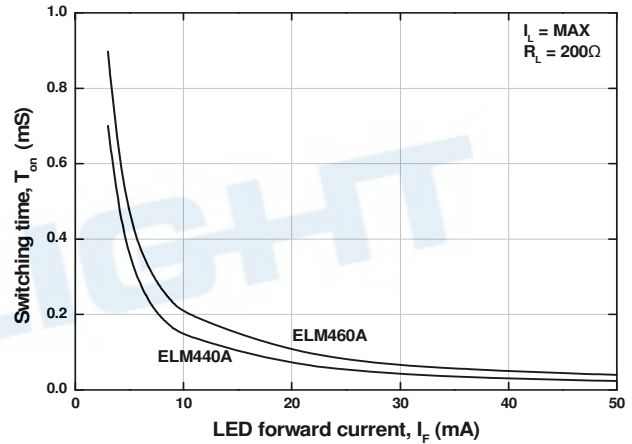


Figure 5. Switching time vs LED forward current

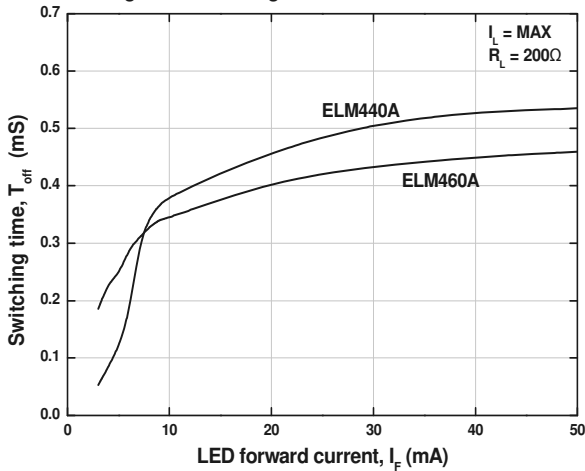


Figure 6. Normalized LED Operate on Current vs Ambient Temperature

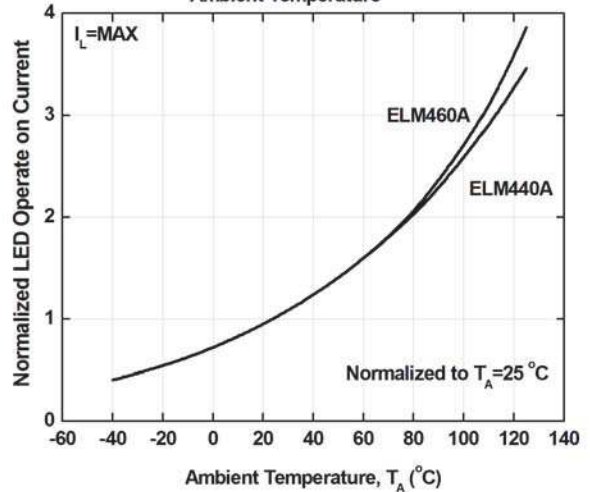


Figure 7. Normalized LED Operate off Current vs Ambient Temperature

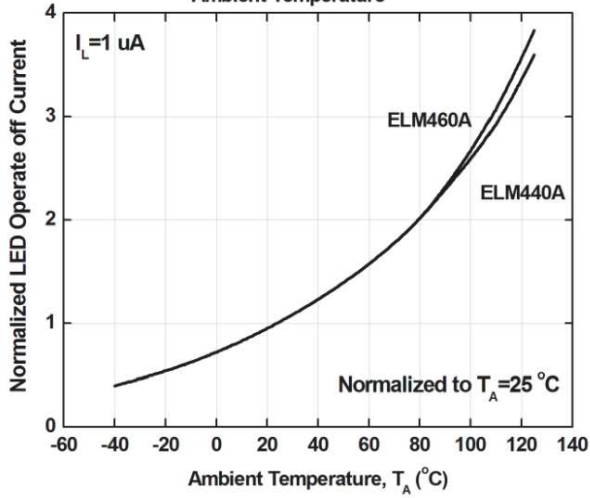


Figure 8. LED Dropout Voltage vs Ambient Temperature

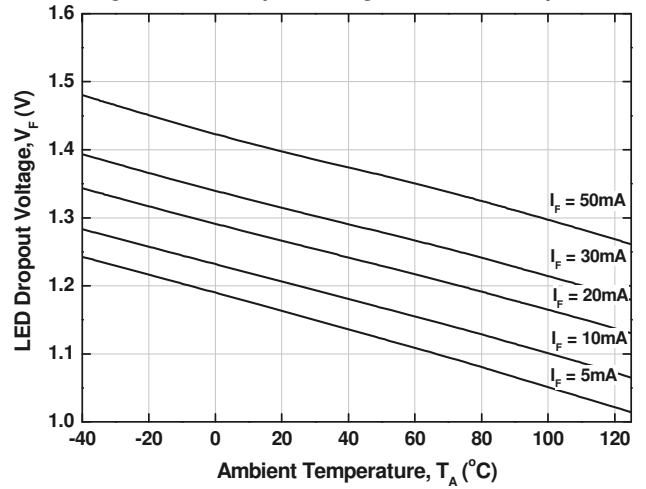


Figure 9. Load voltage vs Load current

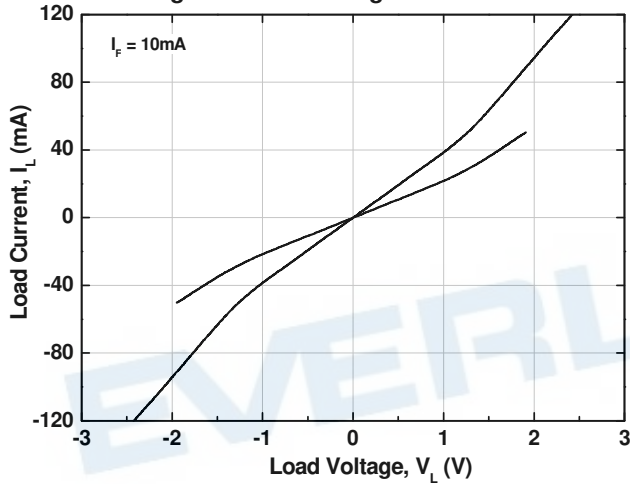


Figure 10. Off state leakage Current vs Load voltage

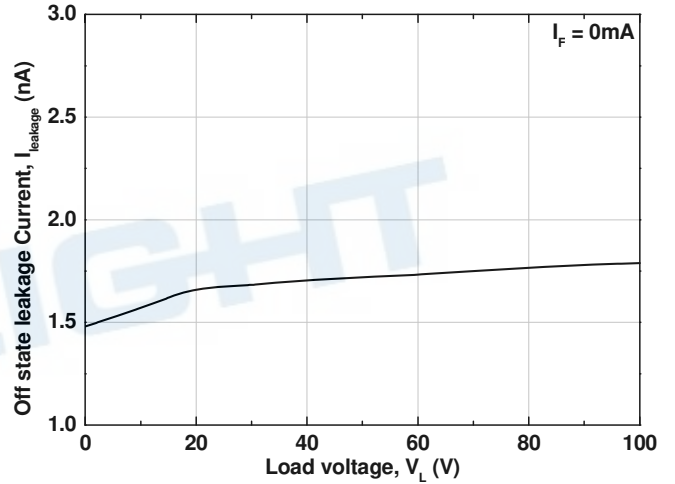
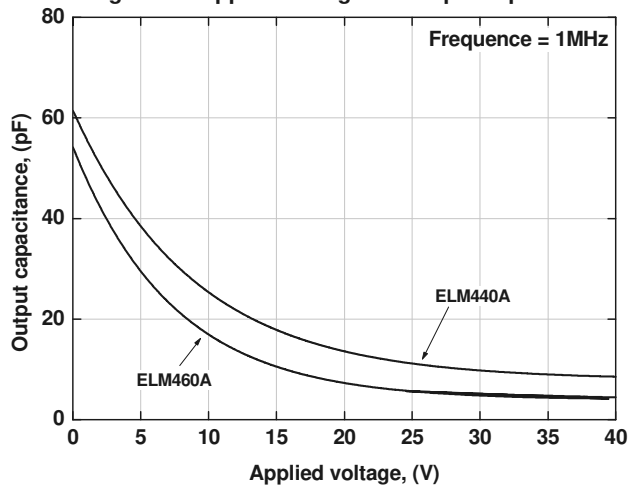
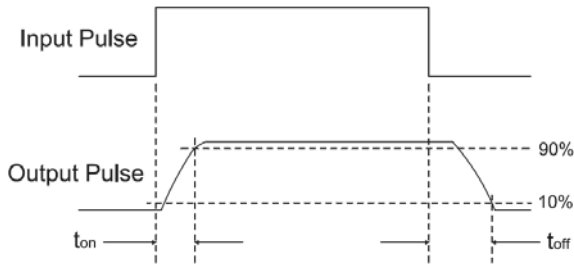


Figure 11. Applied voltage VS Output capacitance



**Turn on/Turn off Time**



**Order Information**

**Part Number**

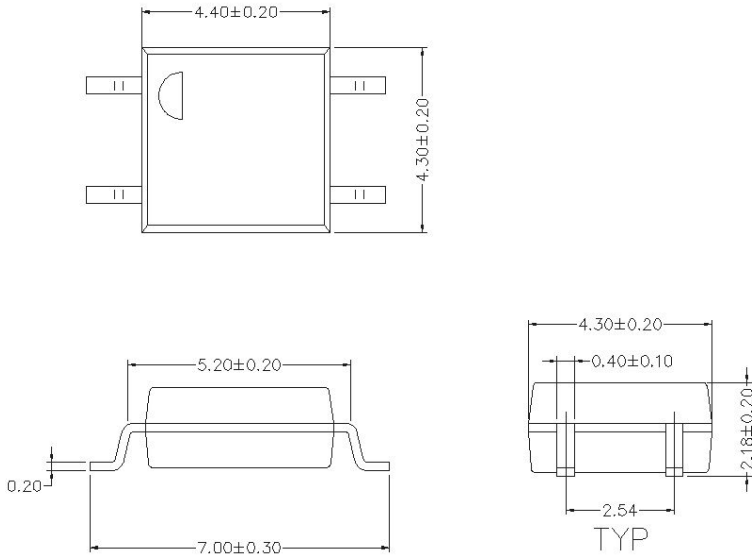
**ELM4XXA(X)(BMS)-VG**

**Note:**

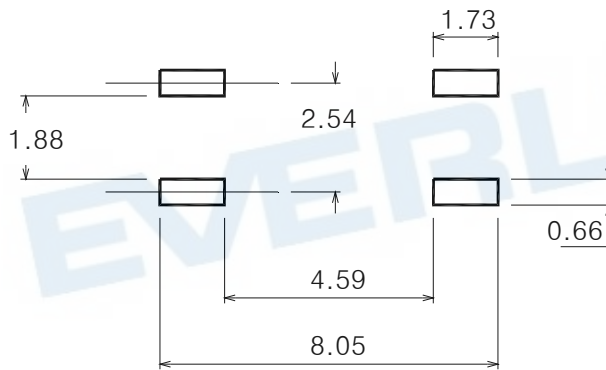
- 4XXA = Part No.(440A:400V 460A:600V)
- X = Tape and reel option (TA, TB or none)
- BMS = Customer code
- V = VDE (option)
- G = Halogen free

Option	Description	Packing quantity
None	Standard SMD option	100 units per tube
-V	Standard SMD option + VDE	100 units per tube
(TA)	TA Tape & reel option	3000 units per reel
(TB)	TB Tape & reel option	3000 units per reel
(TA)-V	TA Tape & reel option + VDE	3000 units per reel
(TB)-V	TB Tape & reel option + VDE	3000 units per reel

Package Dimension (Dimensions in mm)



Recommended Pad Layout for Surface Mount Leadform



Device Marking

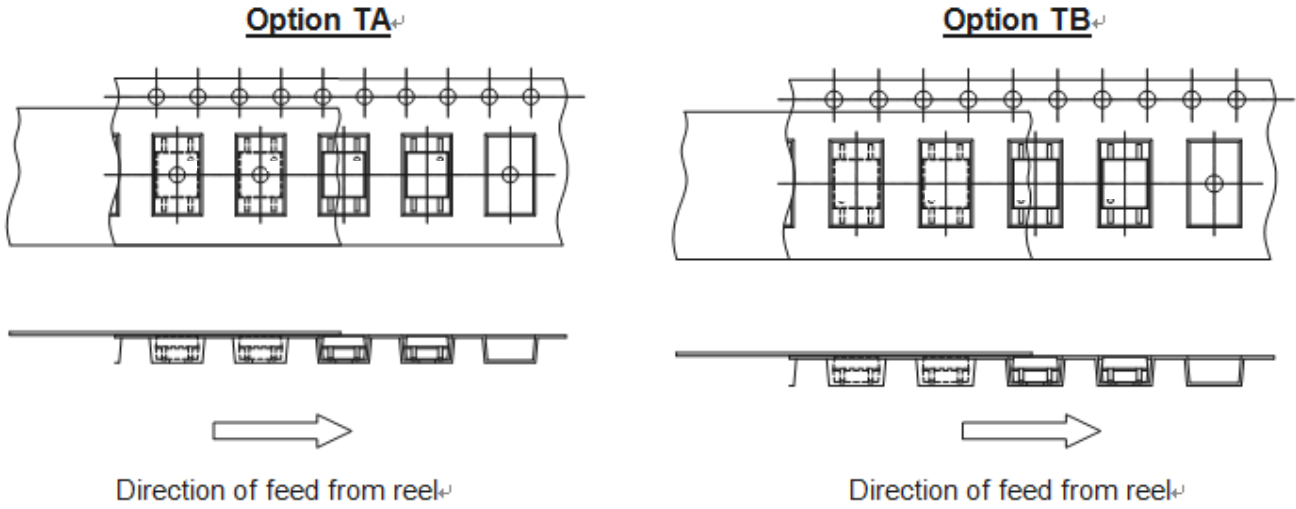


Notes

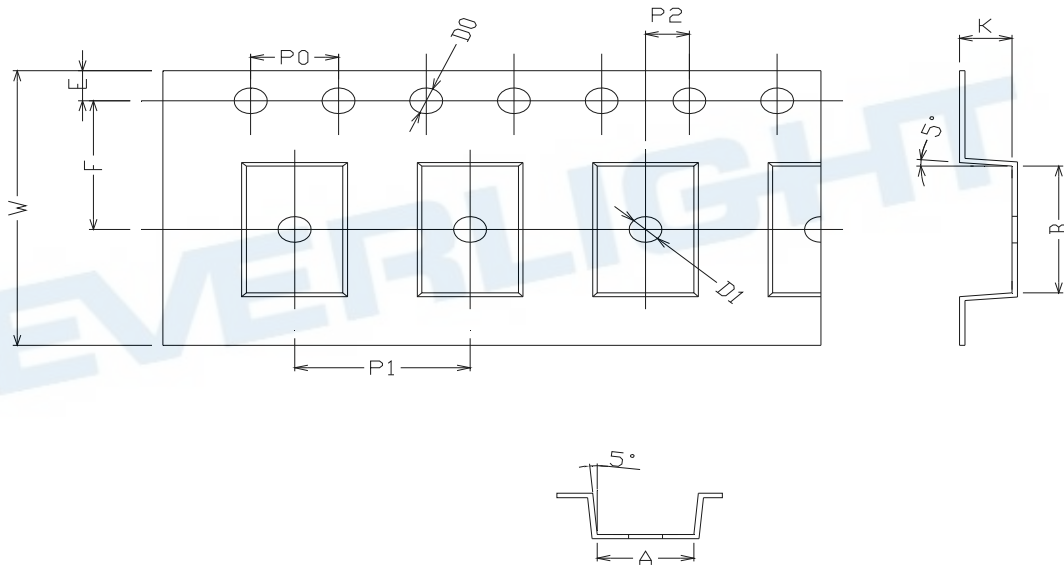
- EL denotes Everlight
- M440A denotes Part Number
- Y denotes 1 digit Year code
- WW denotes 2 digit Week code
- V denotes VDE approved (optional)



**Tape & Reel Packing Specifications**



**Tape dimensions**

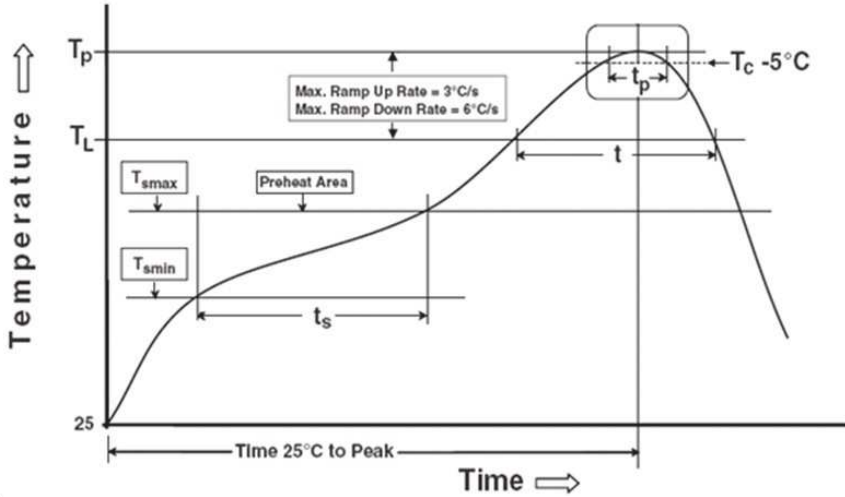


Dimension No.	<b>A</b>	<b>B</b>	<b>Do</b>	<b>D1</b>	<b>E</b>	<b>F</b>
Dimension (mm)	4.4 ± 0.1	7.4 ± 0.1	1.5 + 0.1/-0	1.5 ± 0.1	1.75 ± 0.1	7.5 ± 0.05
Dimension No.	<b>Po</b>	<b>P1</b>	<b>P2</b>	<b>t</b>	<b>W</b>	<b>K</b>
Dimension (mm)	4.0 ± 0.15	8.0 ± 0.1	2.0 ± 0.1	0.25 ± 0.03	16.0 ± 0.2	2.4 ± 0.1

**Precautions for Use**

1. Soldering Condition

1.1 (A) Maximum Body Case Temperature Profile for evaluation of Reflow Profile



Note:

Reference: IPC/JEDEC J-STD-020D

**Preheat**

Temperature min ( $T_{smin}$ )	150 °C
Temperature max ( $T_{smax}$ )	200°C
Time ( $T_{smin}$ to $T_{smax}$ ) ( $t_s$ )	60-120 seconds
Average ramp-up rate ( $T_{smax}$ to $T_p$ )	3 °C/second max

**Other**

Liquidus Temperature ( $T_L$ )	217 °C
Time above Liquidus Temperature ( $t_L$ )	60-100 sec
Peak Temperature ( $T_P$ )	260°C
Time within 5 °C of Actual Peak Temperature: $T_P - 5^\circ C$	30 s
Ramp- Down Rate from Peak Temperature	6°C /second max.
Time 25°C to peak temperature	8 minutes max.
Reflow times	3 times

## DISCLAIMER

1. Above specification may be changed without notice. EVERLIGHT will reserve authority on material change for above specification.
2. The graphs shown in this datasheet are representing typical data only and do not show guaranteed values.
3. When using this product, please observe the absolute maximum ratings and the instructions for use outlined in these specification sheets. EVERLIGHT assumes no responsibility for any damage resulting from use of the product which does not comply with the absolute maximum ratings and the instructions included in these specification sheets.
4. These specification sheets include materials protected under copyright of EVERLIGHT. Reproduction in any form is prohibited without the specific consent of EVERLIGHT.
5. This product is not intended to be used for military, aircraft, automotive, medical, life sustaining or life saving applications or any other application which can result in human injury or death. Please contact authorized Everlight sales agent for special application request.
6. Statements regarding the suitability of products for certain types of applications are based on Everlight's knowledge of typical requirements that are often placed on Everlight products in generic applications. Such statements are not binding statements about the suitability of products for a particular application. It is the customer's responsibility to validate that a particular product with the properties described in the product specification is suitable for use in a particular application. Parameters provided in datasheets and/or specifications may vary in different applications and performance may vary over time. All operating parameters, including typical parameters, must be validated for each customer application by the customer's technical experts. Product specifications do not expand or otherwise modify Everlight's terms and conditions of purchase, including but not limited to the warranty expressed therein.