



HESTORE.HU

elektronikai alkatrész áruház

EN: This Datasheet is presented by the manufacturer.

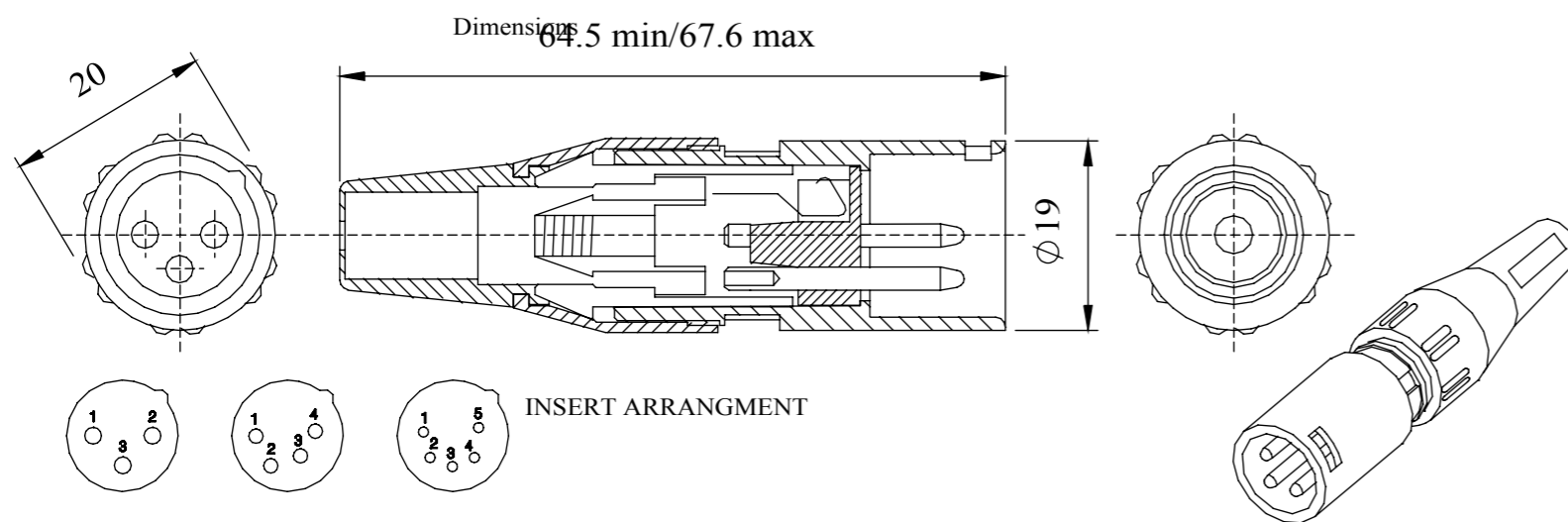
Please visit our website for pricing and availability at www.hestore.hu.

A range of audio and video connectors incorporating many innovative features.
 Assembly and disassembly is screwless and is achieved by a few turns of the back shell.
 -Available in satin nickel or matt black finish, with silver gold plated contacts.
 -The strain relief collet ensures a positive cable grip.
 -Generous solder buckets enable easier cable assembly as well as catering for larger conductive sizes.
 -A range of coloured plastic coding rings is also available, each with a single number moulded in, offering a quick and easy system of channel identification.

Mechanical Properties

Cable retention
 Cable range
 Housing
 Contact base
 Contacts
 Strain Relief
 Sealing ring
 Chuck
 Screw collar
 Screen
 Interchangeable
 Connector ident
 Ident options

Chuck and screw collar
 Ø 2.8mm to Ø 8.0mm
 Zinc high pressure diecasting
 satin nickel or black chrome
 Valox DR48
 Brass, 3 microns silver anti-tarnish
 finish or 0.5 microns gold
 P.V.C. (black)
 Santoprene (UL 94 HB)
 Acetal (UL 94 HB)
 Zinc high pressure diecasting
 satin nickel or black chrome
 Spring Steel, 3 microns silver
 anti-tarnish
 Spring on coloured rings
 Acetal (UL 94 HB)
 Black, Brown, Red, Orange, Yellow,
 Green, Blue, Violet, Grey, White



Electrical

Rated Voltage
 Test Voltage
 Insulation Resistance
 After damp heat
 Contact Resistance
 Current Rating at 40 deg C
 Current Rating at 70 deg C
 Terminal wire sizes
 Climatic
 Climatic category
 Temperature Range
 Damp heat, steady state

50 V a.c.
 1000 V r.m.s.
 103 MΩ
 500 MΩ
 10 mΩ max
 3 pin - 15 amp
 4 pin - 10
 5 pin - 7.5 amp
 3 pin - 7.5 amp
 4 pin - 5
 5 pin - 3 amp
 3 pin 2.5 mm² / 14 AWG
 4 pin 1.5 mm² / 16 AWG
 5 pin 1.0 mm² / 18 AWG
 25/070/04
 -25°C to +70°C
 4 days

Deltron Part No	Silver Contacts		Gold Contacts	
	Nickel	Black	Nickel	Black
3-Way	701-0300	709-0300	705-0300	713-0300
4-Way	701-0400	709-0400	705-0400	713-0400
5-Way	701-0500	709-0500	705-0500	713-0500

