



HESTORE.HU

elektronikai alkatrész áruház

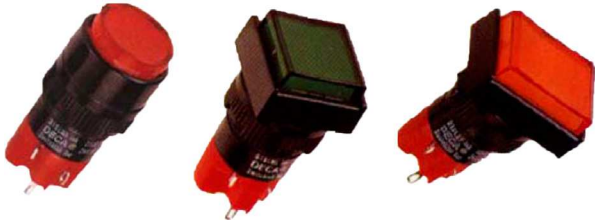
EN: This Datasheet is presented by the manufacturer.

Please visit our website for pricing and availability at www.hestore.hu.

Round

Square

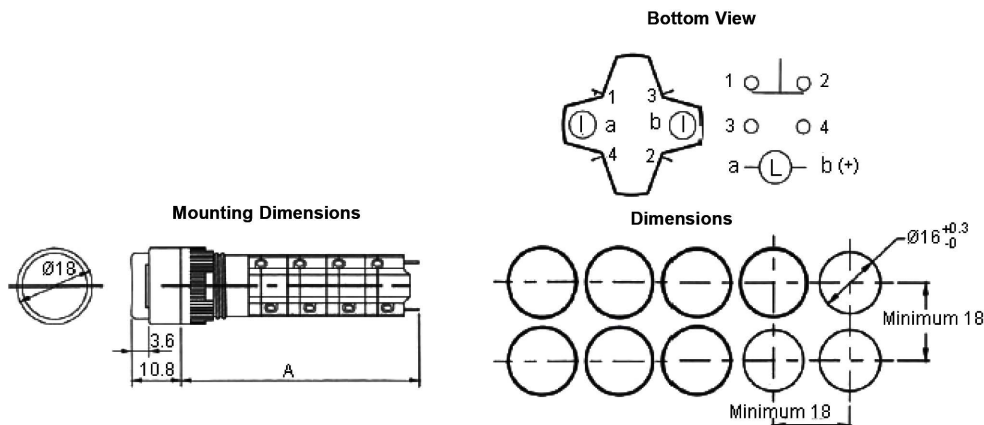
Rectangular



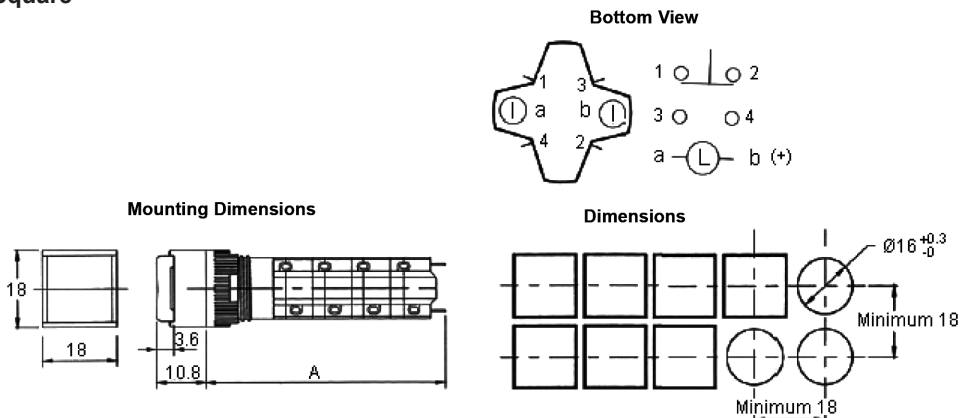
Specifications

Switch System	: Each contact block has one double break snap action switching mechanism
Switch Mode	: Momentary or alternate action, 1-4 poles
Contact Material	: Soldering type-silver is standard; socket type-pin with golden plating
Body Material	: High-grade temperature thermoplastic Contact housing moulded in electrical high-grade thermosetting plastic
Operating Travel	: 3mm
Actuating Force	: 2-5 N depending on number of contact block
Mechanical Lifetime	: > 2 million operations
Electric Rating	: 250V AC 5A, 125V AC 8A, 250V DC 0.2A and 24V DC 6A

Round

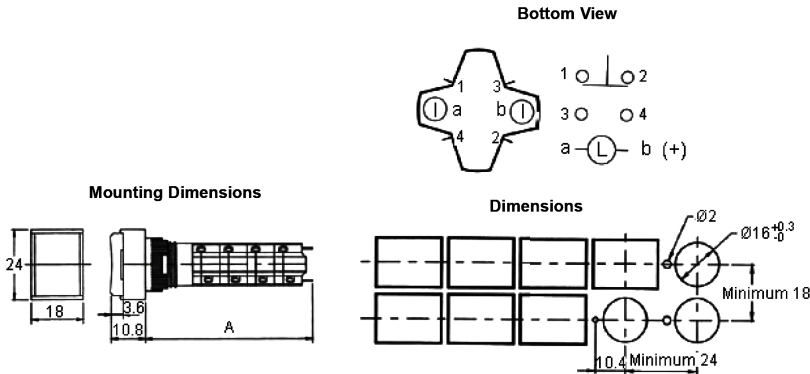


Square



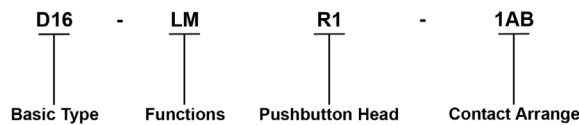
Dimensions : Millimetres

Rectangular



Dimensions : Millimetres

Part Number Explanation



Basic Type : D16 = Ø16 mm.

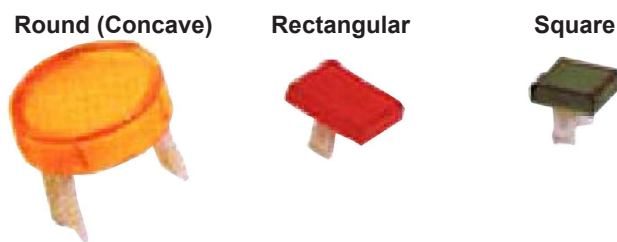
Functions : LM = Soldering type pushbutton switches with momentary action
LA = Soldering type pushbutton switches with alternate action.

Pushbutton Head : R1 S1 T1



Contact Arrange : 1AB = 1 NO + 1 NC, 2AB = 2 NO + 2 NC

Lens



Part Number Table

Description	Part Number
Lens, Blue, Round, 18mm, for D16	50-001-01
Lens, Green, Round, 18mm, for D16	50-001-02
Lens, Orange, Round, 18mm, for D16	50-001-03
Lens, Red, Round, 18mm, for D16	50-001-04
Lens, White, Round, 18mm, for D16	50-001-05
Lens, Yellow, Round, 18mm, for D16	50-001-06

Description	Part Number
Lens, Blue, 18mm × 18mm, for D16	50-003-01
Lens, Green, 18mm × 18mm, for D16	50-003-02
Lens, Orange, 18mm × 18mm, for D16	50-003-03
Lens, Red, 18mm × 18mm, for D16	50-003-04
Lens, White, 18mm × 18mm, for D16	50-003-05
Lens, Yellow, 18mm × 18mm, for D16	50-003-06

Description	Part Number
Lens, Blue, 18mm × 24mm, for D16	50-002-01
Lens, Green, 18mm × 24mm, for D16	50-002-02
Lens, Orange, 18mm × 24mm, for D16	50-002-03

Description	Part Number
Lens, Red, 18mm × 24mm, for D16	50-002-04
Lens, White, 18mm × 24mm, for D16	50-002-05
Lens, Yellow, 18mm × 24mm, for D16	50-002-06

Cap



Protection Cap



Spray Cover

Specifications

- 50-011-01 : For square head (90°)
- 50-010-01 : Most requirement of IP65, two pieces of transparent plastic, rectangular head
- 50-011-02 : For rectangular head (90°)

Part Number Table

Description	Part Number
Cover, Protection, 18mm × 18mm, for D16	50-011-01
Cover, Splashguard, 18mm × 24mm, for D16	50-010-01
Cover, Protection, 18mm × 24mm, for D16	50-011-02