



HESTORE.HU

elektronikai alkatrész áruház

EN: This Datasheet is presented by the manufacturer.

Please visit our website for pricing and availability at www.hestore.hu.

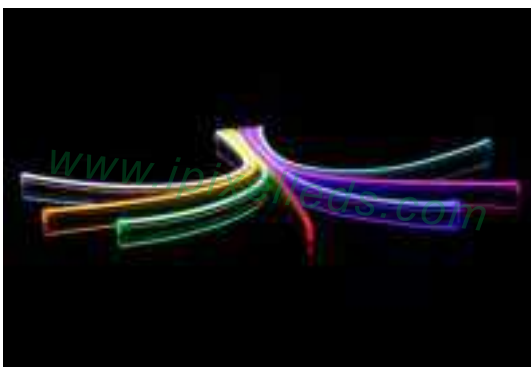


Single color Mini size LED Neon Flex 6*12mm



Product Description

Single color mini Neon Flexible strip made of silicon material Fire resistance, Anti - UV, Anti - Corrosion and deformation resistance Very soft and easy to be bend to make any small sign or LOGO Standard 5 meters/ reel,



but can be customized within 50meters

The cutting unit length is 25mm(12V), or 50mm(24V) per section Cutting mark on the side of neon body Waterproof IP65 Rated for outdoor



Product Datasheet

Product Number	N006120BB1LZ	N006120BC1LZ
LED Quantity	120 leds/m	
LED Type	SMD 2835	
Material	Silicon	
Luminance /M	R: 70 G: 121 B: 27 W:215	
CCT	R/G/B/P/Y/V/IB/GY 3000-3500 K 8000-9000 K	
Cutting unit	25 MM	50 MM
Operating Voltage	DC12V	DC24V
Power (W)	8 W/M	
Dimension	5000*6*12 MM	
IP	IP65	
Net Weight	0.45kg/roll (5m)	
Operation Temperature	- 40 ~ 50 °C	

Application



Hotels, restaurants, nights clubs.

Advertising signs, brightening.

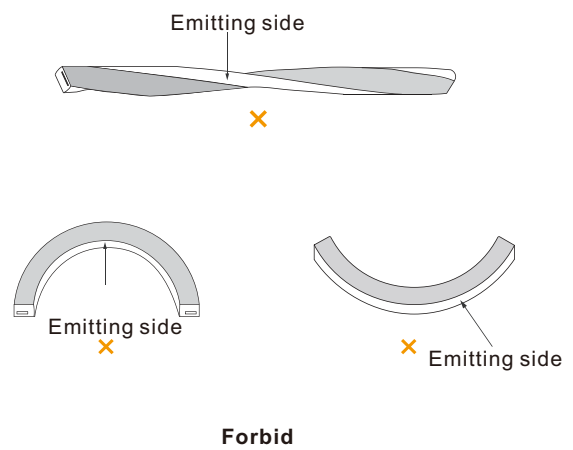
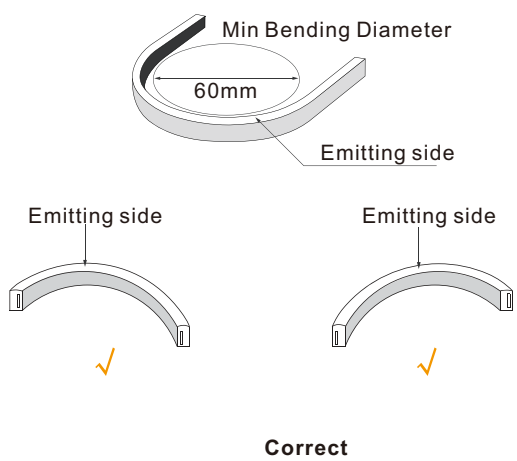


Back lighting, edge lighting.

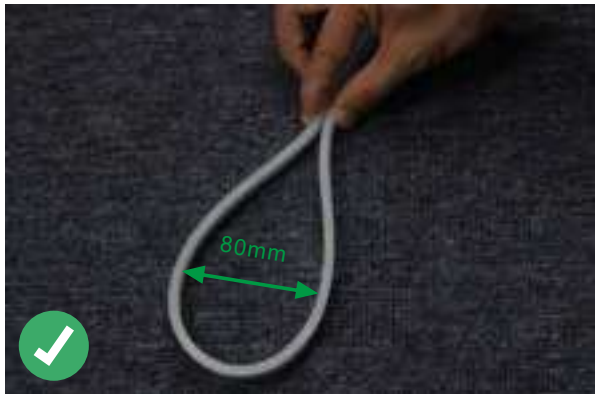
Dancefloor background.



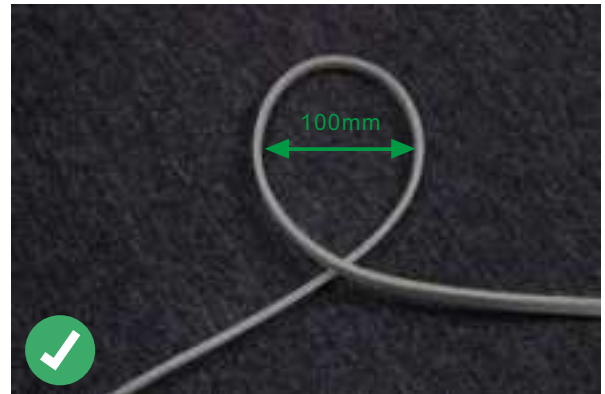
Correct bending way



Correct bending



Face to the lighting surface and fold the strip.
The minimum bending diameter is 80mm



Lighting surface upwards and the strip can be bent to right or left naturally, The minimum bending diameter is 100mm

Incorrect bending way



Face to the side surface (as the picture shows),
Do not bend it downward to damage the strip.



(as the picture shows) please do not twist the strip,
or it will be damaged



Installation



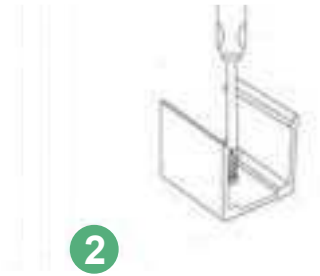
clips
50x8x13mm(LxWxH)



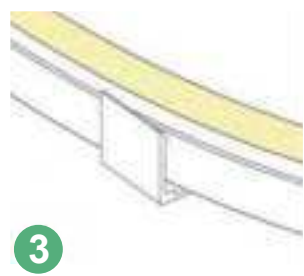
profile
1000x8x13mm(LxWxH)



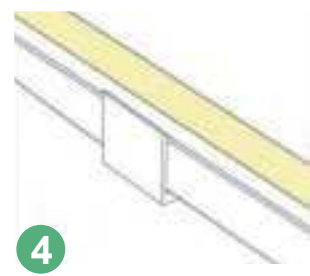
1



2



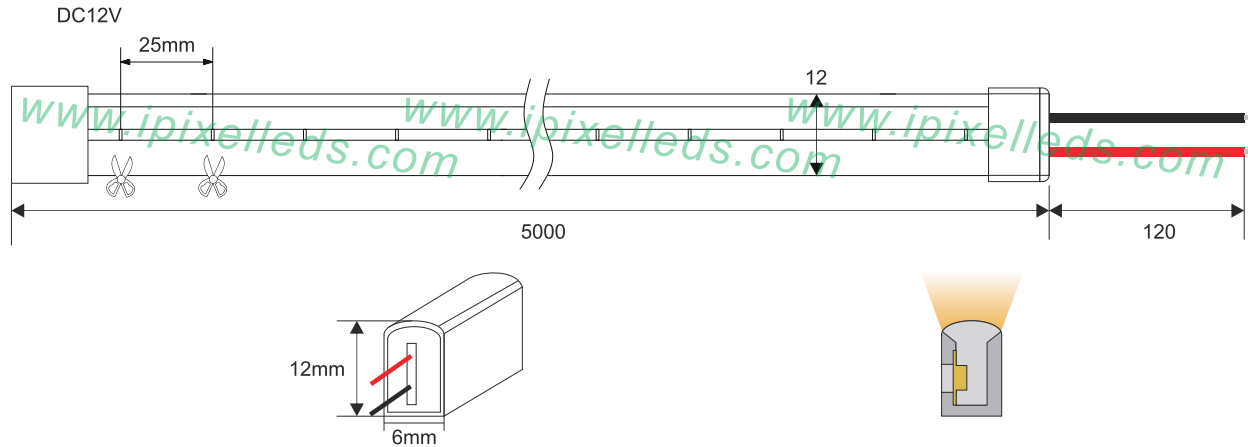
3



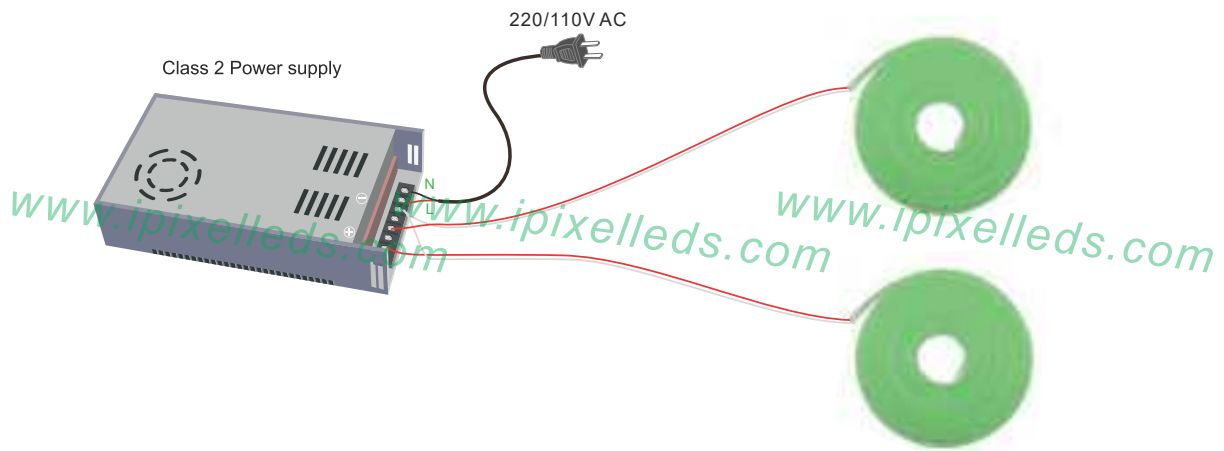
4



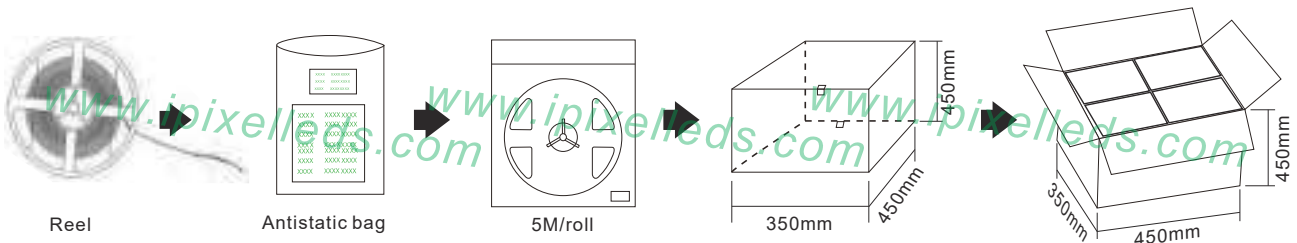
Outline Dimension (unit:mm)



Connection



Product packaging



Product number	Standard length	Quantity / volume	outer carton size	Weight(kg)/reel
N006120BB1LZ	5M	240 Reels	L450xW350xH450mm	0.45kg
/				/
/				/
/				/
/				/
/				/