



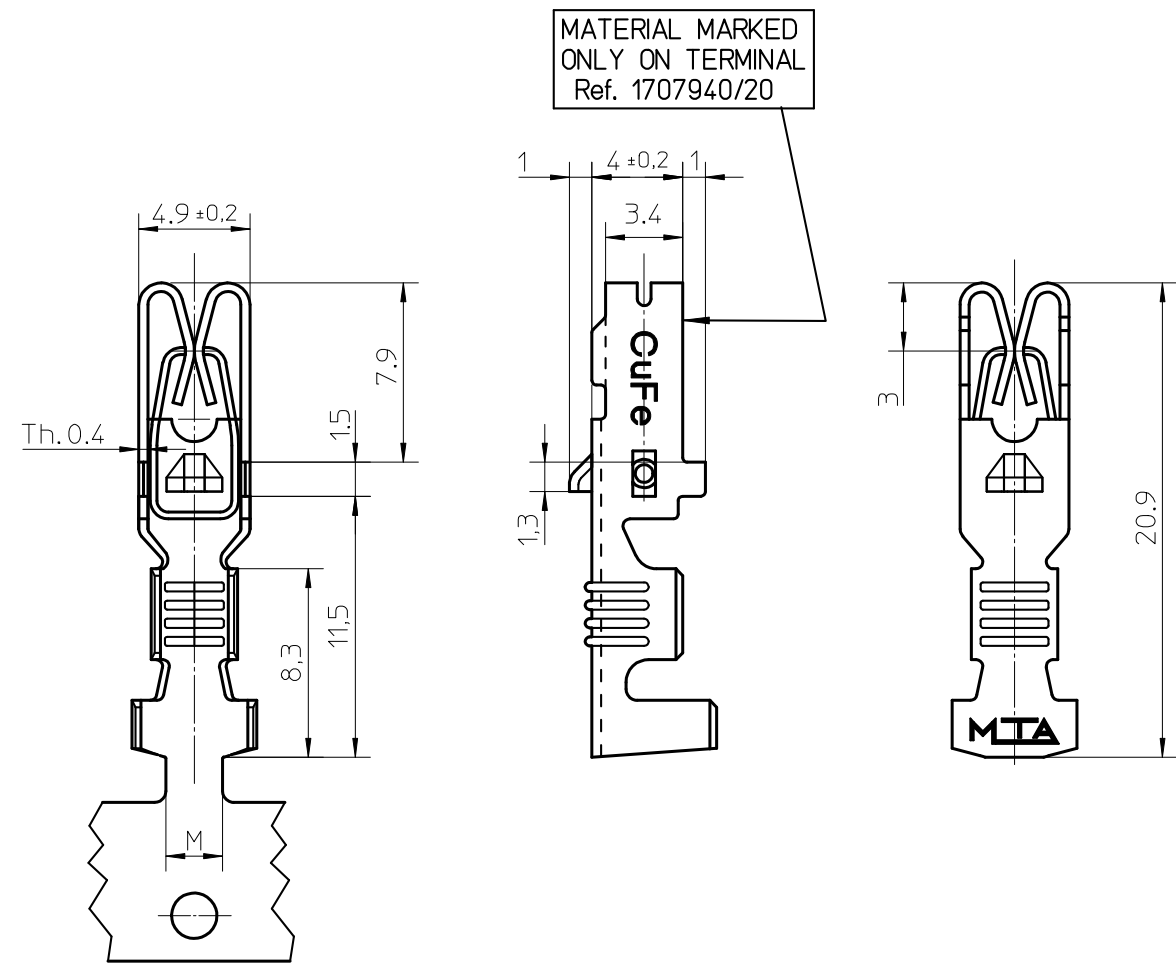
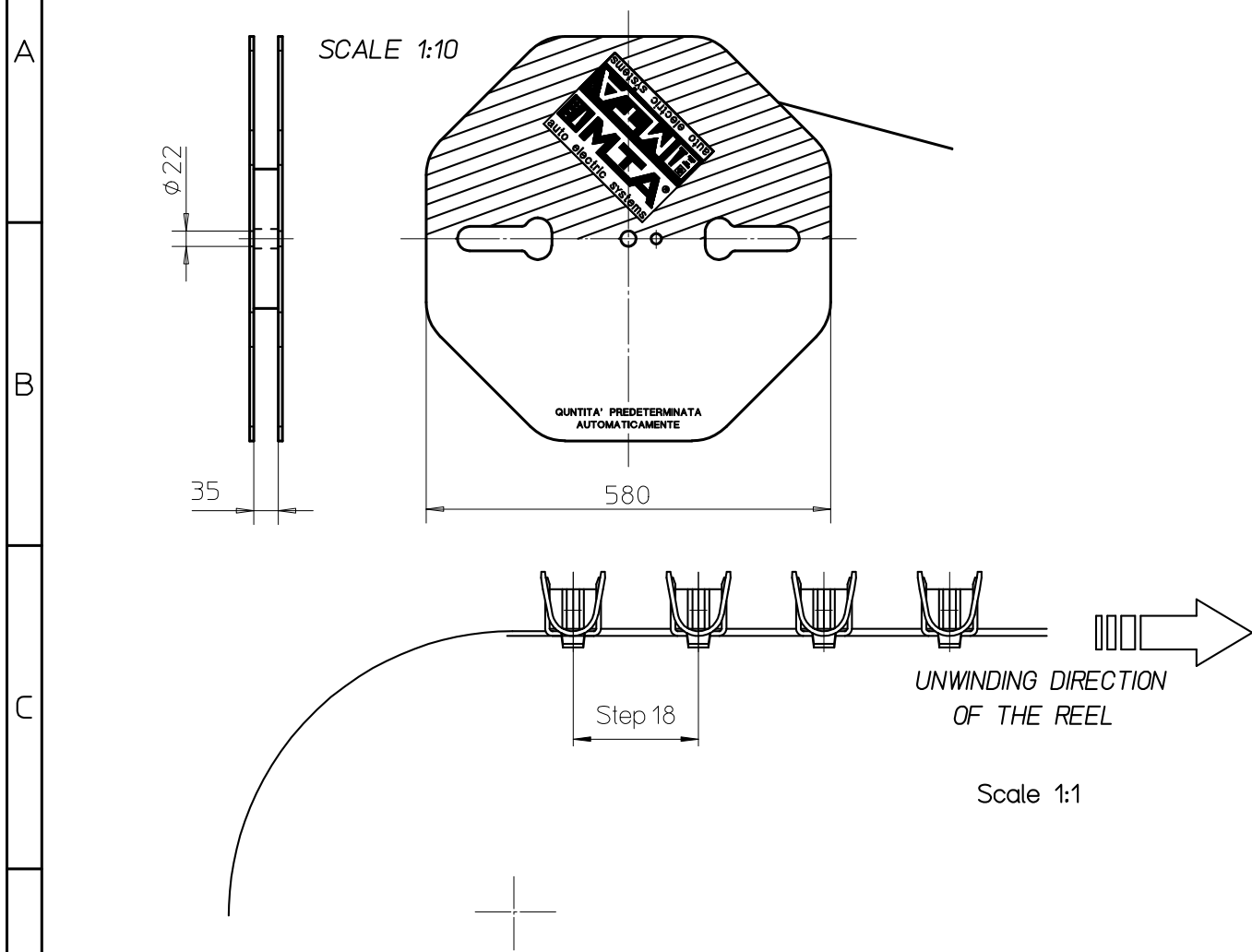
HESTORE.HU

elektronikai alkatrész áruház

EN: This Datasheet is presented by the manufacturer.

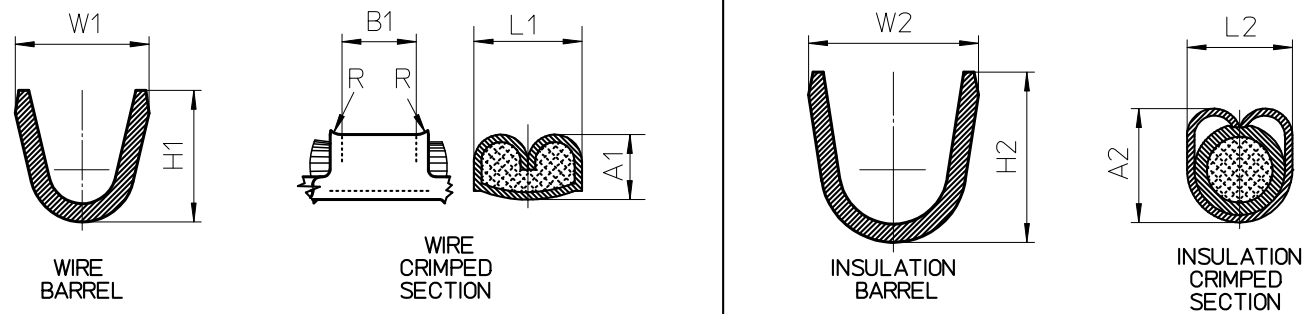
Please visit our website for pricing and availability at www.hestore.hu.

REV	DESCRIPTION	NAME	DATE
13	TERMINAL CONFIGURATION MODIFIED	D.VACCHELLI	19/04/04
14	MARKING MATERIAL UPDATED	S.BEDUSCHI	30/08/16



UNCONTROLLED COPY
 in case of drawing updating/revision
 NO AUTOMATIC
 resubmission will follow

CRIMP STATEMENTS



VALUES OBTAINED USING A 1.5t PRESS

MTA P/N	DRAW N.	MATERIAL	RATED CURRENT (A)	Wire sec. (sqmm)	CONDUCTOR			INSULATION			TEAR OUT FORCE (N)	M		
					H1	W1	A1 ± 0.05	L1	B1	H2			W2	A2
1707920/10	B0-018.003A	CuSn + STEEL CLIP	14	0.5	3.5	3.2	1.35	2.60	3.20	4.8	5	-	3.65	>70
				0.75			1.45	2.60	3.20			-	3.64	>90
				1			1.55	2.60	3.20			-	3.64	>115
				1.5			1.65	2.60	3.20			-	3.65	>155
1707930/10	B0-018.003B	CuSn + STEEL CLIP	20	2	4	3.8	1.80	3.05	3.20	4.8	5.5	-	4.12	>195
				2.5			1.90	3.06	3.20			-	4.14	>235
				3			2.00	3.10	3.20			-	4.14	>360
1707940/20	B0-018.003C	COPPER ALLOY+ STEEL CLIP	37	4	6.3	5.6	2.4	3.68	3.20	6.4	6.2	-	5.30	>320
				6			2.55	3.71	3.20			-	5.25	>400

MTA	MTA P/N	1707920/10	Denom.	TERMINAL UNI F630 WITH CLIP		
	Draw No.	B0-018.003A	Used for	SECTION CABLE 0.5-1.5 sqmm		
	Date	Name	Draw for	CLIENT		
Draft.	30/11/1992	M.CORBANI	Scale	Weight(g)	Lin.Tol.*	Ang.Tol.*
Chk	-	-	3 : 1	1,4	0,5	1
Verif.	05/10/16	M.CORBANI	Dimensions in (mm)	Sheet 1/1		
PQApp	06/10/16	M.ROSSI	CAD Software PTC Drafting			
App.	11/10/16	G.SPATARO	Note			

REV 14 All proprietary rights reserved by MTA S.p.A. - This drawing shall not be reproduced, or in any way utilized, for the manufacture of the component or unit herein illustrated and must not be released to other parties, without written consent. Any infringement will be legally pursued.