



**HESTORE.HU**

elektronikai alkatrész áruház

**EN:** This Datasheet is presented by the manufacturer.

Please visit our website for pricing and availability at [www.hestore.hu](http://www.hestore.hu).

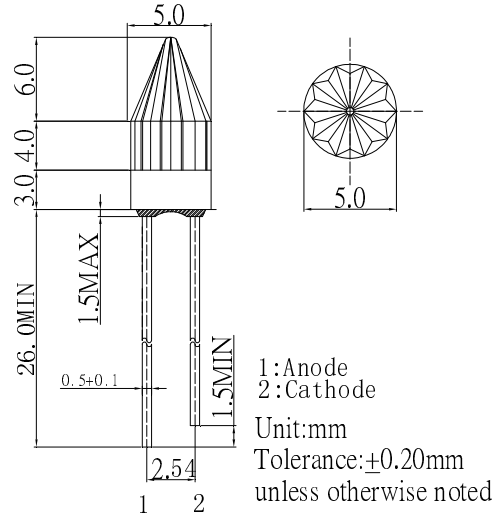
### ■ Features

- High Luminous LEDs
- 5mm Rocket Standard Directivity
- Superior Weather-resistance
- Candle Lighting Flashing Type

### ■ Applications

- Toys
- Games
- Audio
- Other Lighting

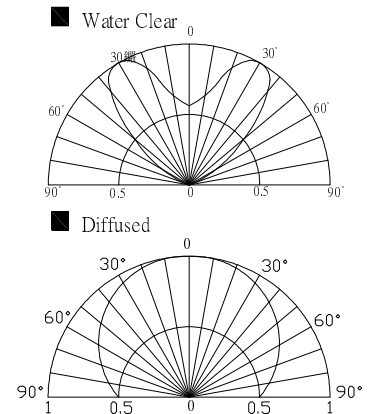
### ■ Outline Dimension



### ■ Absolute Maximum Rating (Ta=25°C)

| Item                       | Symbol  | Value      | Unit |
|----------------------------|---------|------------|------|
| Power Supply               | Voltage | 5.0        | V    |
| Operating Temperature      | Topr    | -30 ~ +85  | °C   |
| Storage Temperature        | Tstg    | -40 ~ +100 | °C   |
| Lead Soldering Temperature | Tsol    | 260°C/5sec | -    |

### ■ Directivity



\*Pulse width Max.10ms Duty ratio max 1/10

### ■ Electrical -Optical Characteristics (Ta=25°C)

| Part Number | Color      |   |     | V <sub>F</sub> (V)   |      |      | I <sub>v</sub> (mcd)* |      |                            | CCT(K)/λD(nm)* |      |      | 2θ <sub>1/2</sub> (deg) |
|-------------|------------|---|-----|----------------------|------|------|-----------------------|------|----------------------------|----------------|------|------|-------------------------|
|             |            |   |     | Min.                 | Typ. | Max. | Typ.                  | Typ. | Max.                       | Min.           | Typ. | Max. | Typ.                    |
|             |            |   |     | I <sub>F</sub> =20mA |      |      | I <sub>F</sub> =20mA  |      |                            |                |      |      |                         |
| OS2MDK58A1B | Warm White | M | 2.5 | 3.3                  | 5.0  | 500  | 750                   | -    | 2000-2400K(X:0.51, Y:0.41) |                |      | 100  |                         |
| OS2MDK58K2B | Warm White | M | 2.5 | 3.3                  | 5.0  | 220  | 330                   | -    | 2000-2400K(X:0.51, Y:0.41) |                |      | 180  |                         |
| OSY5MK58A1B | Yellow     | Y | 2.5 | 3.3                  | 5.0  | 750  | 1120                  | -    | 585                        | 590            | 595  | 100  |                         |
| OSY5MK58K2B | Yellow     | Y | 2.5 | 3.3                  | 5.0  | 220  | 330                   | -    | 585                        | 590            | 595  | 180  |                         |

\*1 Tolerance of measurements of Chromaticity coordinates is ±10%

\*2 Tolerance of measurements of Dominant wavelength is ±1nm

\*3 Tolerance of measurements of luminous intensity is ±15%

\*4 Tolerance of measurements of forward voltage is ±0.1V

\*5 Tolerance of measurements of Frequency is ±20%