



HESTORE.HU

elektronikai alkatrész áruház

EN: This Datasheet is presented by the manufacturer.

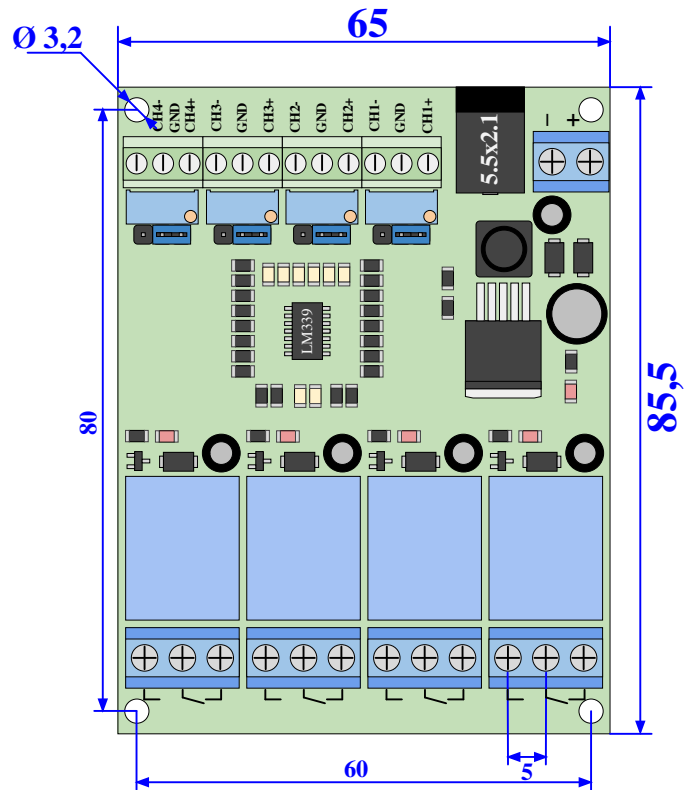
Please visit our website for pricing and availability at www.hestore.hu.

REL-COMP-12V-4CH

Feszültség komparátor relé modul, 12V, 4 csatorna, LM339

100.463.59

Unit: mm



Function table:

	Function1: if IN+ higher than Ref: RELAY ON
	Function2: if IN+ higher than IN-: RELAY ON
	Function3: if IN- higher than Ref: RELAY OFF

