



HESTORE.HU

elektronikai alkatrész áruház

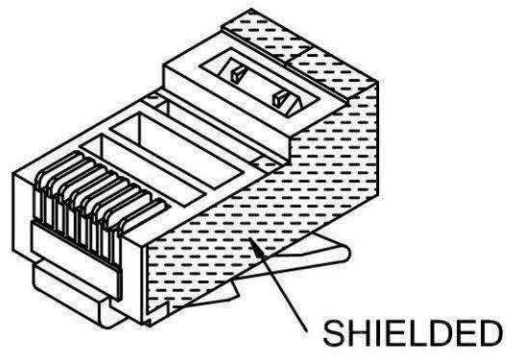
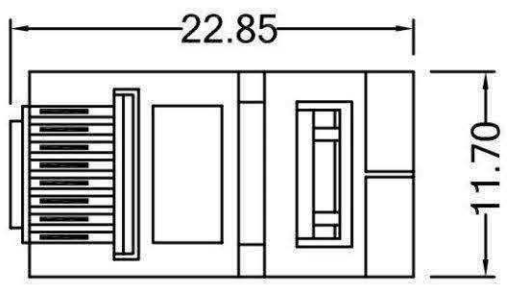
EN: This Datasheet is presented by the manufacturer.

Please visit our website for pricing and availability at www.hestore.hu.

1 2 3 4 5 6 7 8

A

A



B

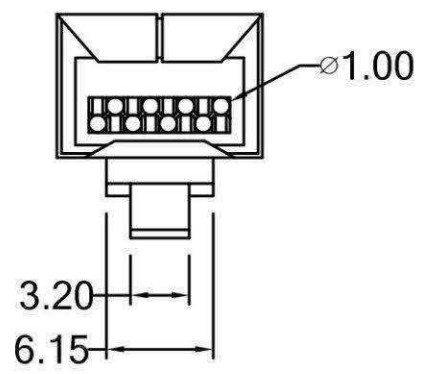
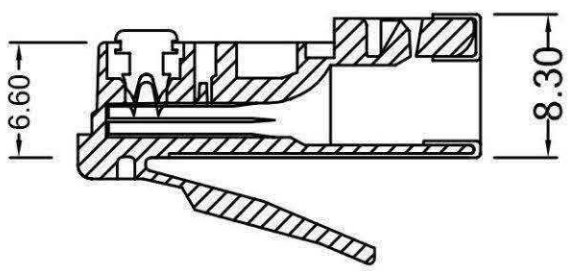
B

C

C

D

D



E

E

F

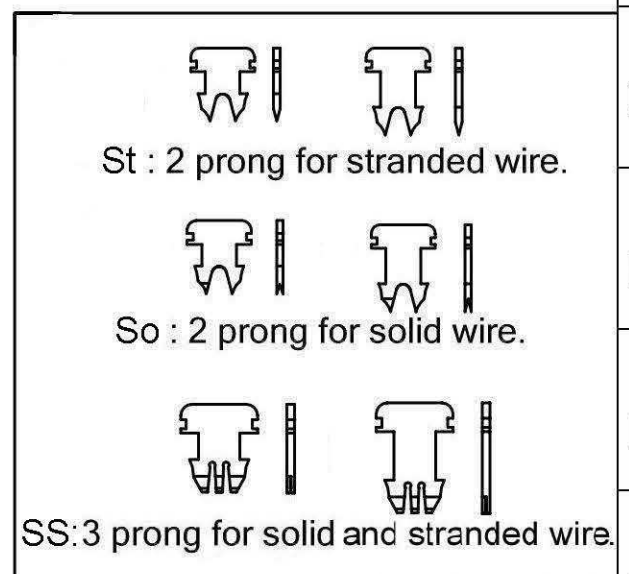
F

MATERIAL & FINISH

Body: Polycarbonate, UL94V-2, clean
 Terminal: 0.35 mm thickness copper alloy, underplated with 100 uin Nickel, and plated with selective Gold in contact region and gold flash on remainder of terminal.

SPECIFICATION:

Voltage : 125 VAC
 Current : 1.5 A
 Contact Resistance : 30 milliohms max.
 Insulation Resistance : 500 megaohms min.
 Dielectric Withstanding Voltage : 1000 VAC



G

G

H

H

RoHS Compliant		T&T Connection System Co., Ltd.	
APPD. 核准	 SCALE 比例 参考	TOLERANCE 零件公差	PART NAME 品名
DWG. 製圖		0.00 ± 0.1 ANG ±	
DATE 制表日	UNIT 單位	SIZE. 線徑尺寸	PART NO.
2011/9/9	M M	A 4	
	PAGE 張數	REV. 版本	
	1 OF 1	A	

1 2 3 4 5 6 7 8