

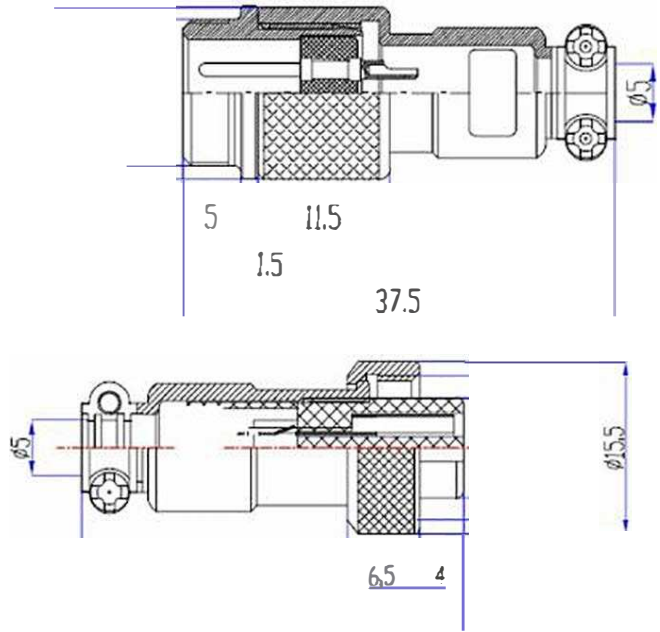


HESTORE.HU

elektronikai alkatrész áruház

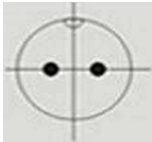




EN: This Datasheet is presented by the manufacturer.

Please visit our website for pricing and availability at www.hestore.hu.



Material and Specifications

Coupling	Threaded Coupling	Termination	Solder
Shell Material	Zinc Alloy with Nickel plated	Mating Cycle	500 Times
Insert Material	Bakelite	Temperature Range	-20°C ~ +85°C
Contact Material	Copper (Silver plated/Gold)	Cable Diameter	≤ Φ5.0mm
		Protection Degree	IP55

Core Number	2 Core	3 Core	4 Core	5 Core	6 Core
Contact Arrangement					
Contact Diameter, Number	Φ 1.2*2	Φ 1.2*3	Φ 1.2*4	Φ 1.2*5	Φ 1.2*6
Rated Current(A)	5	5	5	5	5
Working Voltage	250	250	250	250	250
	<u>(AC,V,RMS)</u>				