



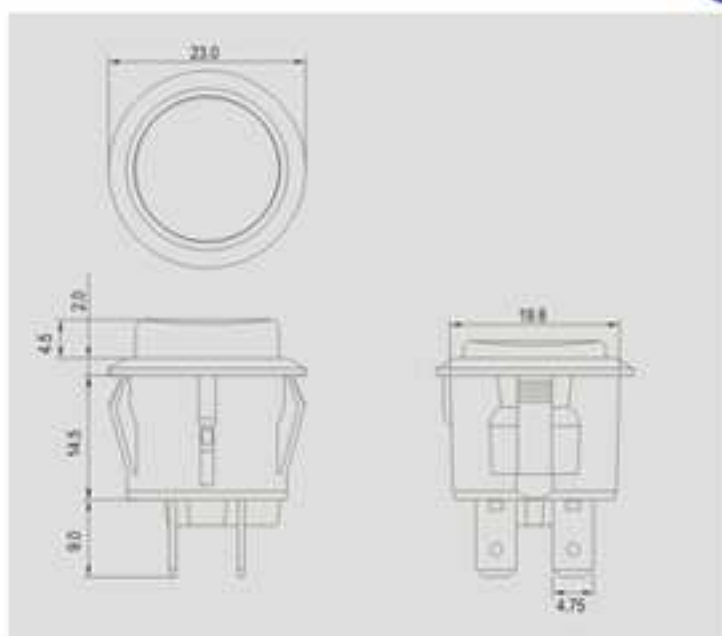
**HESTORE.HU**

elektronikai alkatrész áruház

**EN:** This Datasheet is presented by the manufacturer.

Please visit our website for pricing and availability at [www.hestore.hu](http://www.hestore.hu).

# R13-527



Rating	10A 125V AC 1/2HP 6A 250V AC 1/2HP
Contact resistance	50mΩ Max
Insulation resistance	DC 500V 100MΩ Min
Dielectric strength	AC 1000V 1 minute
Cut-out	

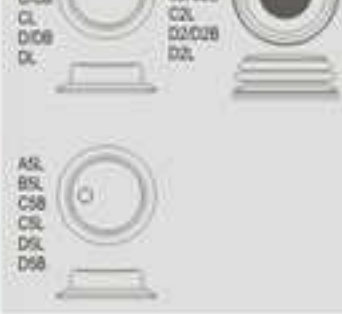
0.7-3.0 mm max

Cut-out for X2 BUTTON



0.7-2.5 mm max

### BUTTON



### FEATURES

- \* MATERIAL: Frames are nylon (UL flame:94V-2). Terminals are silver plated brass.
- \* Illuminated actuators are molded in PC, available with red, amber and green colors.
- \* Snap-in mounting, easy to install switch into panel.
- \* Water proof and dust proof to fit IP-65.



### Ordering number instruction

R13-527       -    

FUNCTION		TERMINAL
Non-illuminated button (不帶燈)		0 2  .187" SQ
<b>B</b>		
<b>D</b>		
Illuminated / Different button (帶燈/按鈕不同)		
<b>B L</b>		125VAC 33KΩ / 250VAC 150KΩ
<b>B 5 L</b>		125VAC 33KΩ / 250VAC 150KΩ
<b>D 5 B</b>		125VAC 33KΩ / 250VAC 150KΩ
Momentary / Non-illuminated button (彈回/不帶燈)		
<b>A</b>		
<b>C</b>		
Momentary / Non-illuminated / Different button (彈回/不帶燈 / 按鈕不同)		
<b>A L</b>		125VAC 33KΩ / 250VAC 150KΩ
<b>A 5 L</b>		125VAC 33KΩ / 250VAC 150KΩ
<b>C B</b>		125VAC 33KΩ / 250VAC 150KΩ
<b>C 5 B</b>		125VAC 33KΩ / 250VAC 150KΩ
Independent circuit (獨立通路)		
<b>CL</b>		
<b>C 5 L</b>		
<b>DL</b>		
<b>D 5 L</b>		
Waterproof (防水)		
<b>A 2</b>		
<b>A 2 L</b>		125VAC 33KΩ / 250VAC 150KΩ
<b>B 2</b>		
<b>B 2 L</b>		125VAC 33KΩ / 250VAC 150KΩ
<b>C 2</b>		
<b>C 2 B</b>		125VAC 33KΩ / 250VAC 150KΩ
<b>C 2 L</b>		
<b>D 2</b>		
<b>D 2 B</b>		125VAC 33KΩ / 250VAC 150KΩ
<b>D 2 L</b>		