



**HESTORE.HU**

elektronikai alkatrész áruház

**EN:** This Datasheet is presented by the manufacturer.

Please visit our website for pricing and availability at [www.hestore.hu](http://www.hestore.hu).

REV.	DESCRIPTION	DRAWN	DATE
1	INITIAL RELEASE	TIM	2017/12/21

**SPECIFICATION:**

**1. ELECTRICAL**

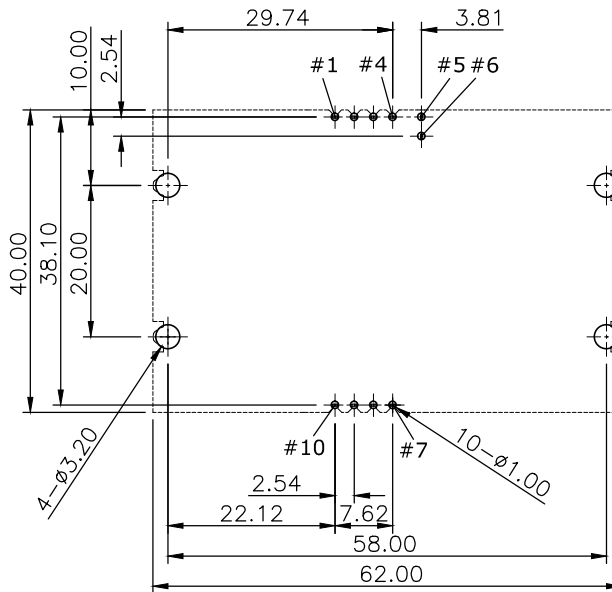
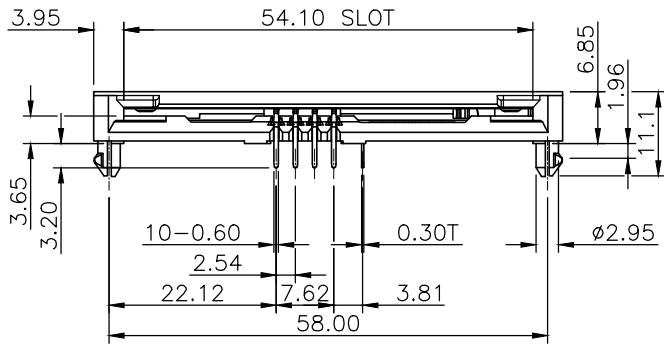
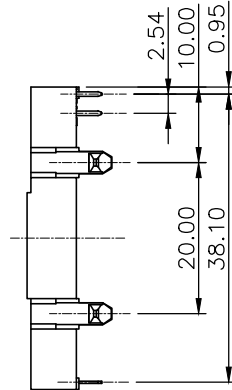
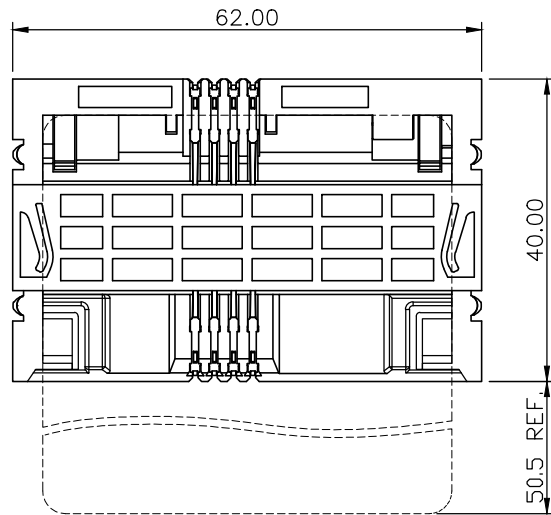
- 1.1 Current Rating: 1.0A per pin
- 1.2 Voltage Rating: 50V DC
- 1.3 Contact Resistance: 100mΩ Max
- 1.4 Insulation Resistance: 500MΩ Min
- 1.5 Dielectric Withstanding Voltage: 500VAC

**2. MECHANICAL**

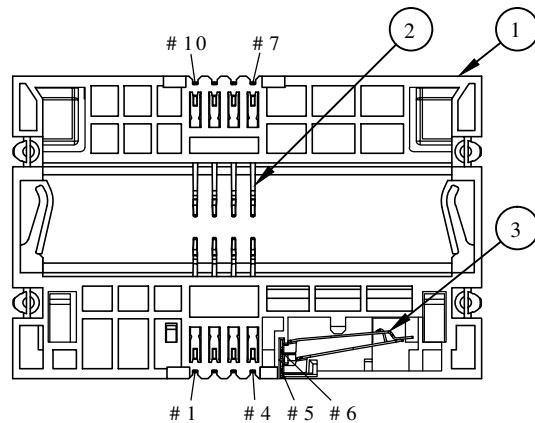
- 2.1 Durability: 10,000 Cycle

**3. ENVIRONMENTAL**

- 3.1 Operating temperature range: -40 °C~ +85°C
- 3.2 Storage temperature range: -40 °C~ +85°C



**RECOMMENDED LAYOUT ( TOP VIEW )**  
**GENERAL TOLERANCE: ±0.05mm**



SWITCH CIRCUIT				
WHEN CARD IS EJECTED	WHEN CARD IS INSERTED			
CLOSE 	OPEN 			
3 SWITCH	Phosphor Bronze, GOLD PLATED UNDER NICKEL Solder Tail: Tin plating over Nickel			
2 CONTACT	Brass, Contact area: 3u"Gold plating over Nickel Solder Tail: Tin plating over Nickel			
1 HOUSING	PBT, UL94V-0, Black			
NO.	PART NAME	DESCRIPTION		
UNLESS OTHERWISE SPECIFIED TOLERANCE				
UNIT:	DECIMAL	LINEAR	ANGLES	
m m	X.	±0.50	±5°	
	X.X	±0.25	±3°	
	X.XX	±0.12	±1°	
www.attend.com.tw				
DRAWN	Tim	2017/12/21	DRAWN NAME:	
CHECKED	Fros	2017/12/21	Smart Card Socket Nomal Close, DIP Type	
APPROVED	Ken	2017/12/21	PRODUCT NO. 116B-DBC0-01	
	SCALE 1/1	SHEET 1/1	SIZE A4	FILE NAME 116B-DBC0-01_B_1