



HESTORE.HU

elektronikai alkatrész áruház

EN: This Datasheet is presented by the manufacturer.

Please visit our website for pricing and availability at www.hestore.hu.

VINYL-INSULATED (EASY ENTRY) RING TERMINALS

MAXIMUM ELECTRIC CURRENT:

A.W.G.	16	14
AMP.	18	30

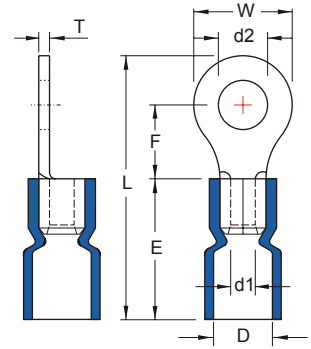
MAXIMUM ELECTRICAL RATING: 105°C 600 VOLTS MAX.

INSULATION MATERIAL: VINYL

INSULATION COLOR:

16-14 A.W.G.: BLUE

TERMINAL MATERIAL: COPPER



WIRE RANGE A.W.G. mm ²	ITEM NO.		STUD SIZE		DIMENSION <small>inch mm</small>							CRIMPING TOOL	Q'TY BOX																																																																																																																																					
	BRAZED SEAM	BUTTED SEAM		d2	W	F	L	E	D	d1	T																																																																																																																																							
16-14 A.W.G.	RVEB2-2	RVE2-2	#2	.087 2.2	.260 6.6	.189 4.8	.760 19.3	.453 11.5	.177 4.5	.091 2.3	.031 0.8	IZUMI MODEL 34 WITH DIE INDEX COLOR:BLUE OR K.S. MODEL KST2000A HRI-126J WITH DIE INDEX COLOR:BLUE	1000																																																																																																																																					
	RVEB2-2.5	RVE2-2.5	#2	.098 2.5									RVEBS2-3.2	RVES2-3.2	#4	.126 3.2	.217 5.5	.220 5.6	.776 19.7	1000	RVEB2-3.2	RVE2-3.2	#4	.126 3.2	.189 4.8	.760 19.3	1000	RVEBL2-3.2	RVEL2-3.2	#4	.126 3.2	.335 8.5	.307 7.8	.917 23.3	1000	RVEBS2-3.7	RVES2-3.7	#6	.146 3.7	.260 6.6	.189 4.8	.760 19.3	1000	RVEBM2-3.7	RVEM2-3.7	#6	.146 3.7	.248 6.3	.823 20.9	1000	RVEBL2-3.7	RVEL2-3.7	#6	.146 3.7	.335 8.5	.291 7.4	.917 23.3	1000	RVEBS2-4	RVES2-4	#8	.169 4.3	.260 6.6	.248 6.3	.823 20.9	1000	RVEBL2-4	RVEL2-4	#8	.169 4.3	.335 8.5	.307 7.8	.917 23.3	1000	RVEBS2-5	RVES2-5	#10	.209 5.3	1000	1.5-2.5 mm ²	RVEBL2-5	RVEL2-5	#10	.209 5.3	.374 9.5	.287 7.3	1000	RVEB2-6	RVE2-6	1/4	.252 6.4	.472 12.0	.433 11.0	1.114 28.3	1000	RVEB2-7	RVE2-7	1/4	.291 7.4	1000	RVEB2-8	RVE2-8	5/16	.331 8.4	1000	RVEB2-9	RVE2-9	5/16	.386 9.8	.535 13.6	.547 13.9	1.260 32.0	1000	RVEB2-10	RVE2-10	3/8	.413 10.5	1000	RVEBL2-10	RVEL2-10	3/8	.413 10.5	.756 19.2	.630 16.0	1.453 36.9	1000	RVEB2-12	RVE2-12	1/2	.512 13.0	1000	RVEB2-14	RVE2-14	9/16	.591 15.0	1.063 27.0	.827 21.0	1.803 45.8	1000	RVEB2-16	RVE2-16	5/8	.669 17.0	1000	RVEB2-20	RVE2-20
	RVEBS2-3.2	RVES2-3.2	#4	.126 3.2	.217 5.5	.220 5.6	.776 19.7						1000																																																																																																																																					
	RVEB2-3.2	RVE2-3.2	#4	.126 3.2									.189 4.8	.760 19.3	1000																																																																																																																																			
	RVEBL2-3.2	RVEL2-3.2	#4	.126 3.2	.335 8.5	.307 7.8	.917 23.3						1000																																																																																																																																					
	RVEBS2-3.7	RVES2-3.7	#6	.146 3.7	.260 6.6	.189 4.8	.760 19.3						1000																																																																																																																																					
	RVEBM2-3.7	RVEM2-3.7	#6	.146 3.7									.248 6.3	.823 20.9	1000																																																																																																																																			
	RVEBL2-3.7	RVEL2-3.7	#6	.146 3.7	.335 8.5	.291 7.4	.917 23.3						1000																																																																																																																																					
	RVEBS2-4	RVES2-4	#8	.169 4.3	.260 6.6	.248 6.3	.823 20.9						1000																																																																																																																																					
	RVEBL2-4	RVEL2-4	#8	.169 4.3	.335 8.5	.307 7.8	.917 23.3						1000																																																																																																																																					
RVEBS2-5	RVES2-5	#10	.209 5.3	1000																																																																																																																																														
1.5-2.5 mm ²	RVEBL2-5	RVEL2-5	#10	.209 5.3	.374 9.5	.287 7.3	1000																																																																																																																																											
	RVEB2-6	RVE2-6	1/4	.252 6.4	.472 12.0	.433 11.0	1.114 28.3	1000																																																																																																																																										
	RVEB2-7	RVE2-7	1/4	.291 7.4				1000																																																																																																																																										
	RVEB2-8	RVE2-8	5/16	.331 8.4				1000																																																																																																																																										
	RVEB2-9	RVE2-9	5/16	.386 9.8	.535 13.6	.547 13.9	1.260 32.0	1000																																																																																																																																										
	RVEB2-10	RVE2-10	3/8	.413 10.5				1000																																																																																																																																										
	RVEBL2-10	RVEL2-10	3/8	.413 10.5	.756 19.2	.630 16.0	1.453 36.9	1000																																																																																																																																										
	RVEB2-12	RVE2-12	1/2	.512 13.0				1000																																																																																																																																										
	RVEB2-14	RVE2-14	9/16	.591 15.0	1.063 27.0	.827 21.0	1.803 45.8	1000																																																																																																																																										
	RVEB2-16	RVE2-16	5/8	.669 17.0				1000																																																																																																																																										
RVEB2-20	RVE2-20	3/4	.827 21.0	1000																																																																																																																																														