



HESTORE.HU

elektronikai alkatrész áruház

EN: This Datasheet is presented by the manufacturer.

Please visit our website for pricing and availability at www.hestore.hu.

Ninigi

D A T A S H E E T

P L C C S O C K E T



Specification:

- 1) Insulator: Thermoplastic (UL94V-0)
- 2) Contact: Copper Alloy
- 3) Storage Temperature: -20°C ~ 85°C
- 4) Operating Temperature: 0°C ~ 70°C
- 5) Contact Resistance: 20 mΩ max. (initial)
- 6) Insulation Resistance: 1000 MΩ min.
- 7) Dielectric Withstanding Voltage: 1000 VAC (1 minute)

PLCC 20x

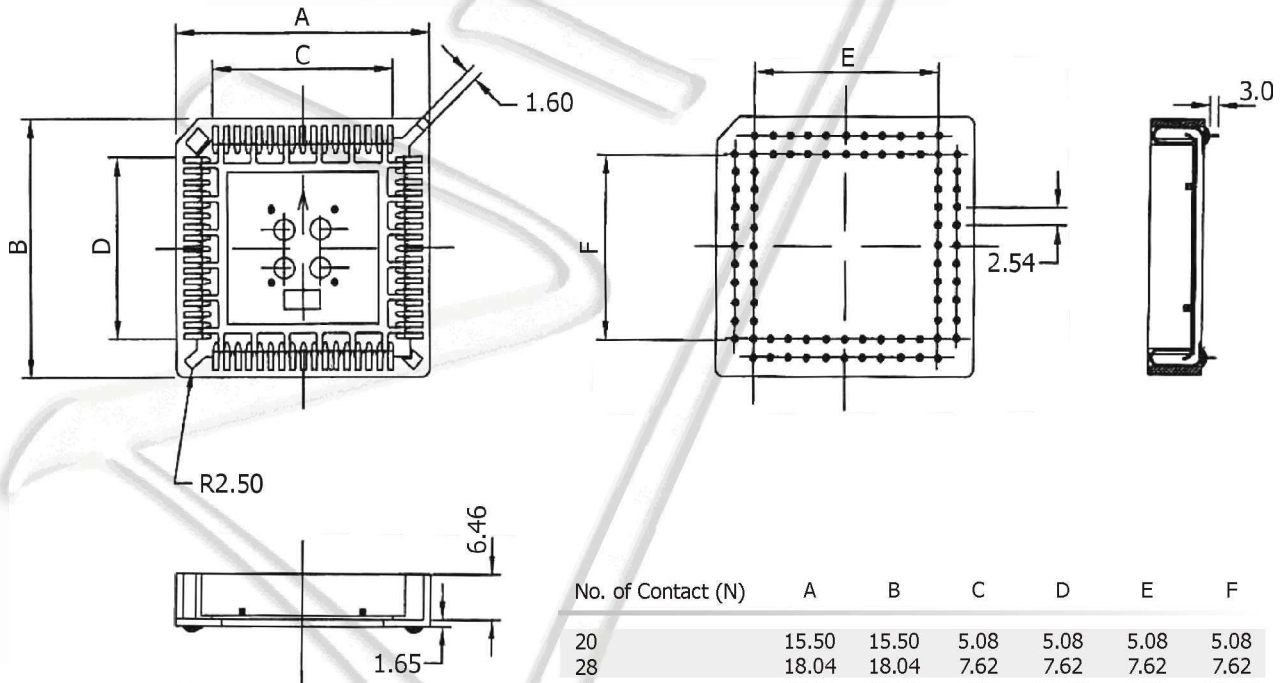
Contact Plating:

none: TIN
G: Gold Flash
S: Selective Gold

No. of Contacts:

N = 20; 28; 32; 44; 52; 68; 84

PLCC Socket



No. of Contact (N)	A	B	C	D	E	F
20	15.50	15.50	5.08	5.08	5.08	5.08
28	18.04	18.04	7.62	7.62	7.62	7.62
32	18.04	20.54	7.62	10.16	7.62	10.16
44	23.48	23.48	12.70	12.70	12.70	12.70
52	25.88	25.88	15.24	15.24	15.24	15.24
68	31.66	31.66	20.32	20.32	20.32	20.32
84	36.66	36.66	25.40	25.40	15.40	25.40

All dimensions in mm.