

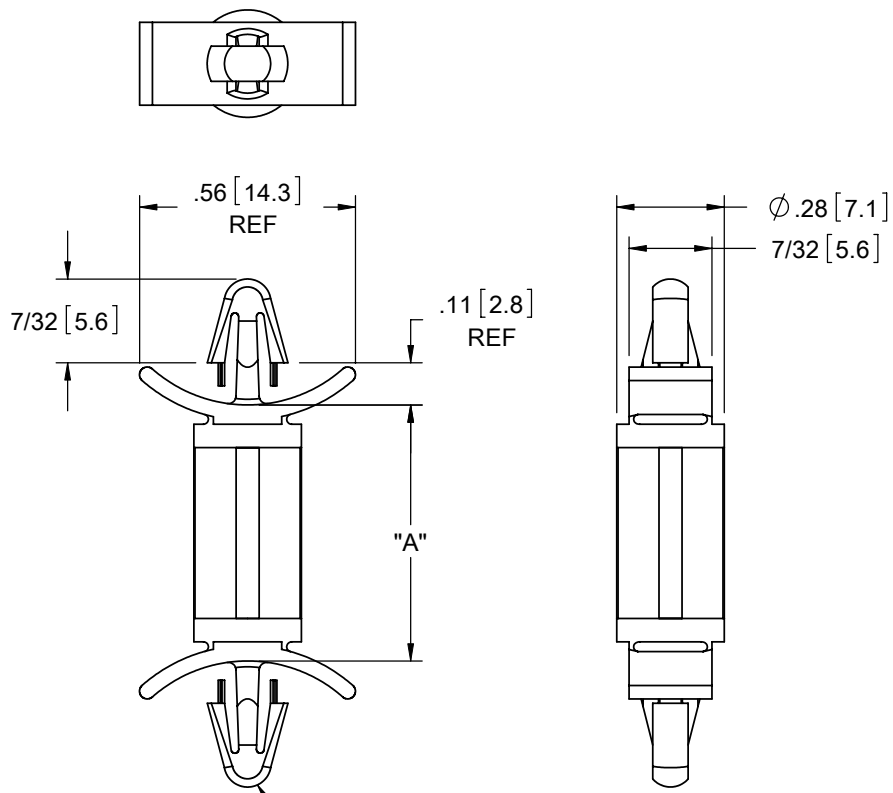


HESTORE.HU

elektronikai alkatrész áruház

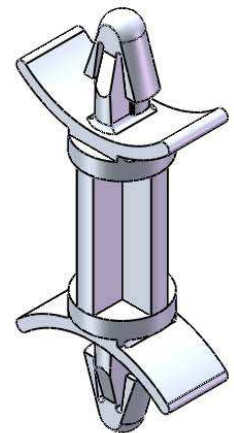
EN: This Datasheet is presented by the manufacturer.

Please visit our website for pricing and availability at www.hestore.hu.



TO SNAP-LOCK IN A .156±.003
[4±0.08] DIA. HOLE, IN A
.031-.078 [0.79-1.98] PANEL THICKNESS
(BOTH ENDS)

MATERIAL: NYLON 6/6 UL 94 V-2 (RMS-01) COLOR: NATURAL PART NO.	MATERIAL: NYLON 6/6 UL 94 V-0 (RMS-19) COLOR: NATURAL PART NO.	DIM. "A"±.015 [0.4]
DLCBS-3-01	DLCBS-3-19	3/16 [4.8]
DLCBS-4-01	DLCBS-4-19	1/4 [6.4]
DLCBS-6-01	DLCBS-6-19	3/8 [9.5]
DLCBS-8-01	DLCBS-8-19	1/2 [12.7]
DLCBS-10-01	DLCBS-10-19	5/8 [15.9]
DLCBS-12-01	DLCBS-12-19	3/4 [19.1]
DLCBS-14-01	DLCBS-14-19	7/8 [22.2]



- NOTES:
 1. MATERIAL: NYLON 6/6 UL 94 HB (RMS-73)
 COLOR: NATURAL.
 AVAILABLE BY SPECIAL ORDER ONLY.
 TO ORDER USE P/N DLCBS-X-73
 2. ALTERNATE UNITS FOR REFERENCE ONLY.

TITLE: DUAL LOCKING CIRCUIT BOARD SUPPORT, TYPE 1				DWG IN IN [MM]		FINAL		QR	
CREATED USING SOLIDWORKS		FILE #: DLCBS1	DWN: SK	APP: RT					
TOLERANCES UNLESS NOTED		SHEET: 1 OF 1	SHEET SIZE: A	DT: 11/22/06	CHKD: SJ	PART #		PRINT TYPE	
XX=±.010 .XXX=±.005 FRAC.=±1/64 ANG.=±1°		RE: RICHCO, INC.		RICHCO, INC. ENG@RICHCO-INC.COM (773) 539-4060		SEE TABLE		CA	

REV.	DESCRIPTION	ENGR.	DATE
C	REDRAWN, SEE ECN #1208 FOR CHANGES	SK	11/29/06
-	SEE ENGINEERING FOR REVISIONS A AND B	---	----