

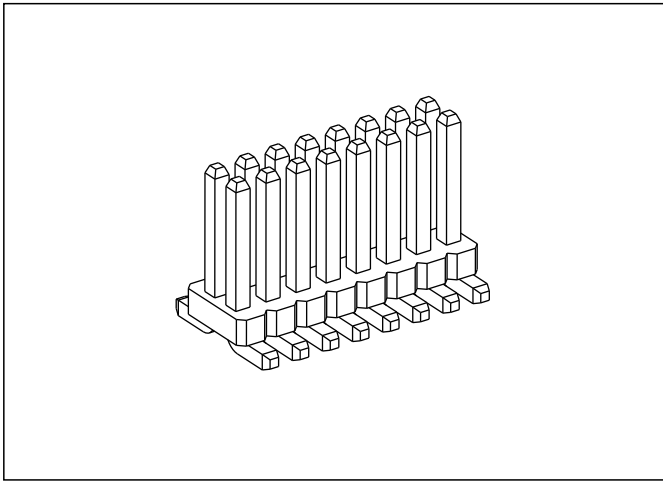


**HESTORE.HU**

elektronikai alkatrész áruház

**EN:** This Datasheet is presented by the manufacturer.

Please visit our website for pricing and availability at [www.hestore.hu](http://www.hestore.hu).

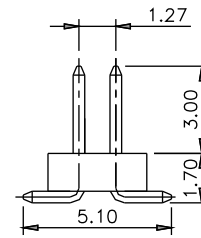
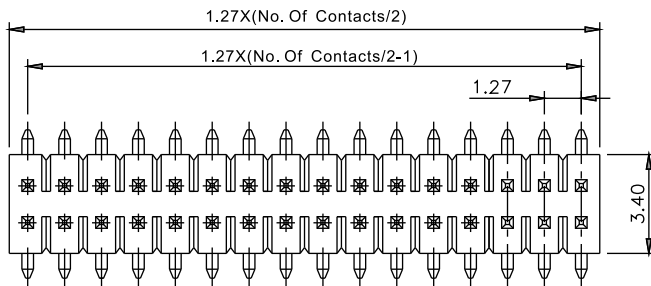


■ **Specifications**

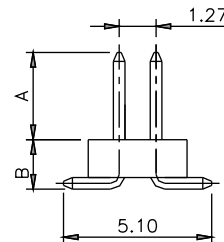
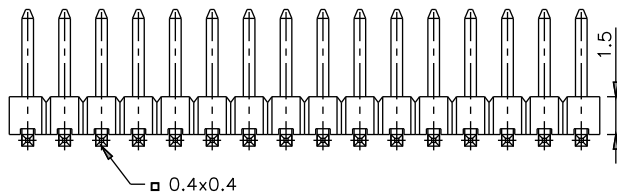
Current rating:1.0AAC/DC  
Voltage rating:50V AC/DC  
Contact resistance:20m ohm. max.  
Insulation resistance:1000M ohm. Min.  
Withstanding voltage:500V AC for one minute  
Operating temperature range:-25°C to +105°C

■ **Material and Finish**

Insulator:High Temp. Plastic(UL94V-0)  
Contact:Copper Alloy  
Plating:Gold Plated



2199SB-XXG-SM-3017



2199SB-XXG-SM-AB

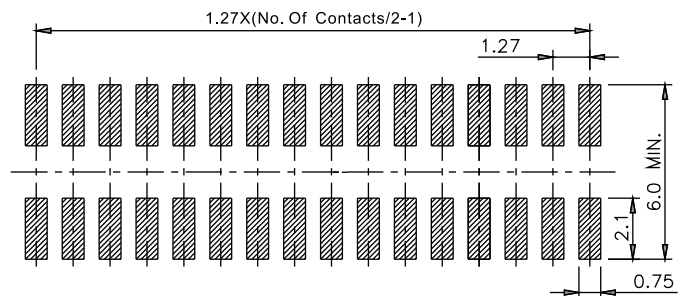
■ **Ordering Information**

**2199SB-XXG-SM-AB**

①    ②    ③    ④    ⑤

|                              |                   |            |
|------------------------------|-------------------|------------|
| ① SB: Straight Double Rows   | ② No. Of Contacts | ④ SMD Type |
|                              | ③ G: Gold Plated  |            |
| ⑤ Standard:3017<br>AB:Height |                   |            |

■ **Recommended PCB Layout**



Unit:mm