



**HESTORE.HU**

elektronikai alkatrész áruház

**EN:** This Datasheet is presented by the manufacturer.

Please visit our website for pricing and availability at [www.hestore.hu](http://www.hestore.hu).

# DATA SHEET

## GENERAL PURPOSE CHIP RESISTORS

RC1206  
5%, 1%  
RoHS compliant



**SCOPE**

This specification describes RC1206 series chip resistors with lead-free terminations made by thick film process.

**APPLICATIONS**

- All general purpose application

**FEATURES**

- Halogen Free Epoxy
- RoHS compliant
  - Products with lead free terminations meet RoHS requirements
  - Pb-glass contained in electrodes, resistor element and glass are exempted by RoHS
- Reducing environmentally hazardous wastes
- High component and equipment reliability
- Saving of PCB space
- None forbidden-materials used in products/production

**ORDERING INFORMATION - GLOBAL PART NUMBER & I2NC**

Both part numbers are identified by the series, size, tolerance, packing type, temperature coefficient, taping reel and resistance value.

**YAGEO BRAND ordering code**

**GLOBAL PART NUMBER (PREFERRED)**

**RC1206** X R - XX XXXX L  
 (1) (2) (3) (4) (5) (6)

**(1) TOLERANCE**

F = ±1%  
 J = ±5% (for Jumper ordering, use code of J)

**(2) PACKAGING TYPE**

R = Paper taping reel

**(3) TEMPERATURE COEFFICIENT OF RESISTANCE**

- = Base on spec

**(4) TAPING REEL**

07 = 7 inch dia. Reel  
 10 = 10 inch dia. Reel  
 13 = 13 inch dia. Reel

**(5) RESISTANCE VALUE**

There are 2~4 digits indicated the resistor value. Letter R/K/M is decimal point, no need to mention the last zero after R/K/M, e.g. 1K2, not 1K20.  
 Detailed resistance rules show in table of "Resistance rule of global part number".

**(6) DEFAULT CODE**

Letter L is system default code for order only (Note)

| Resistance rule of global part number |  |
|---------------------------------------|--|
| Resistance code rule                  | Example                                  |
| OR                                    | 0R = Jumper                              |
| XRXX<br>(1 to 9.76 Ω)                 | 1R = 1 Ω<br>1R5 = 1.5 Ω<br>9R76 = 9.76 Ω |
| XXRX<br>(10 to 97.6 Ω)                | 10R = 10 Ω<br>97R6 = 97.6 Ω              |
| XXXR<br>(100 to 976 Ω)                | 100R = 100 Ω                             |
| XKXX<br>(1 to 9.76 KΩ)                | 1K = 1,000 Ω<br>9K76 = 9760 Ω            |
| XMXX<br>(1 to 9.76 MΩ)                | 1M = 1,000,000 Ω<br>9M76 = 9,760,000 Ω   |

**ORDERING EXAMPLE**

The ordering code of a RC1206 chip resistor, value 56 Ω with ±1% tolerance, supplied in 7-inch tape reel is: RC1206FR-0756RL.

**NOTE**

1. All our RSMD products meet RoHS compliant and Halogen Free. "LFP" of the internal 2D reel label mentions "Lead Free Process"
2. On customized label, "LFP" or specific symbol can be printed

**PHYCOMP BRAND ordering codes**

Both GLOBAL PART NUMBER (preferred) and I2NC (traditional) codes are acceptable to order Phycomp brand products.

**GLOBAL PART NUMBER (PREFERRED)**

For detailed information of GLOBAL PART NUMBER and ordering example, please refer to page 2.

**I2NC CODE**

**2322 / 2350**    **XXX XXXXX L**  
 (1)                      (2)    (3)    (4)

| TYPE/<br>I206 | START<br>IN <sup>(1)</sup> | TOL.<br>(%) | RESISTANCE<br>RANGE | PAPER / PE TAPE ON REEL (units) <sup>(2)</sup> |                      |           |
|---------------|----------------------------|-------------|---------------------|--|----------------------|-----------|
|               |                            |             |                     | 5,000  | 10,000/not preferred | 20,000    |
| RC01          | 2322                       | ±5%         | 1 to 10 MΩ          | 711 61xxx                                      | 711 51xxx            | 711 81xxx |
| RC02          | 2322                       | ±1%         | 1 to 10 MΩ          | 724 6xxxx                                      | 724 7xxxx            | 724 8xxxx |
| HRC01         | 2350                       | ±5%         | 11 to 22 MΩ         | 520 10xxx                                      | -                    | -         |
| Jumper        | 2322                       | -           | 0 Ω                 | 711 91032                                      | 711 91005            | 711 92004 |

| Resistance decade <sup>(3)</sup> | Last digit |
|----------------------------------|------------|
| 0.01 to 0.0976 Ω                 | 0          |
| 0.1 to 0.976 Ω                   | 7          |
| 1 to 9.76 Ω                      | 8          |
| 10 to 97.6 Ω                     | 9          |
| 100 to 976 Ω                     | 1          |
| 1 to 9.76 KΩ                     | 2          |
| 10 to 97.6 KΩ                    | 3          |
| 100 to 976 KΩ                    | 4          |
| 1 to 9.76 MΩ                     | 5          |
| 10 to 97.6 MΩ                    | 6          |

Example: 0.02 Ω = 0200 or 200  
 0.3 Ω = 3007 or 307  
 1 Ω = 1008 or 108  
 33 KΩ = 3303 or 333  
 10 MΩ = 1006 or 106

- (1) The resistors have a 12-digit ordering code starting with 2322 / 2350.
- (2) The subsequent 4 or 5 digits indicate the resistor tolerance and packaging.
- (3) The remaining 4 or 3 digits represent the resistance value with the last digit indicating the multiplier as shown in the table of "Last digit of I2NC".
- (4) Letter L is system default code for order only <sup>(Note)</sup>

**ORDERING EXAMPLE**

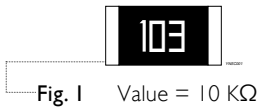
The ordering code of a RC02 resistor, value 56 Ω with ±1% tolerance, supplied in tape of 10,000 units per reel is: 232272465609L or RC1206FR-0756RL.

**NOTE**

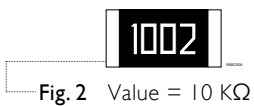
- 1. All our RSMD products meet RoHS compliant and Halogen Free. "LFP" of the internal 2D reel label mentions "Lead Free Process"
- 2. On customized label, "LFP" or specific symbol can be printed

**MARKING**

**RC1206**



E-24 series: 3 digits  
First two digits for significant figure and 3rd digit for number of zeros



Both E-24 and E-96 series: 4 digits  
First three digits for significant figure and 4th digit for number of zeros

For further marking information, please see special data sheet “Chip resistors marking”

**CONSTRUCTION**

The resistor is constructed on top of a high-grade ceramic body. Internal metal electrodes are added on each end to make the contacts to the thick film resistive element. The composition of the resistive element is a noble metal imbedded into a glass and covered by a second glass to prevent environment influences. The resistor is laser trimmed to the rated resistance value. The resistor is covered with a protective epoxy coat, finally the two external terminations (matte tin on Ni-barrier) are added. See fig.3

**OUTLINES**

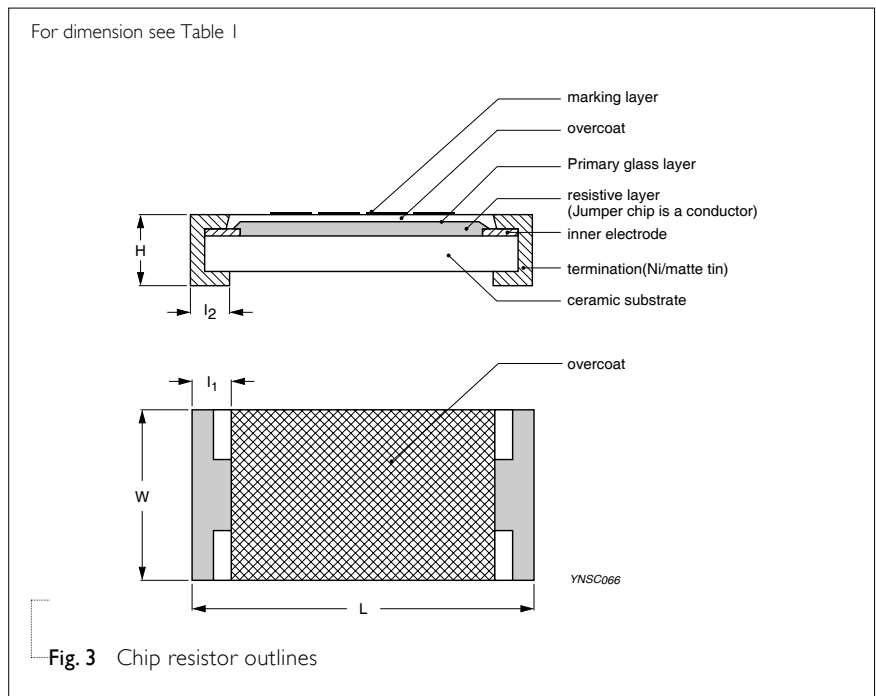


Fig. 3 Chip resistor outlines

**DIMENSIONS**

| Table I             |             |
|---------------------|-------------|
| TYPE                | RC1206      |
| L (mm)              | 3.10 ± 0.10 |
| W (mm)              | 1.60 ± 0.10 |
| H (mm)              | 0.55 ± 0.10 |
| l <sub>1</sub> (mm) | 0.45 ± 0.20 |
| l <sub>2</sub> (mm) | 0.40 ± 0.20 |

**ELECTRICAL CHARACTERISTICS**

Table 2

| CHARACTERISTICS                 | RC1206 1/4 W              |             |
|---------------------------------|---------------------------|-------------|
| Operating Temperature Range     | -55 °C to +155 °C         |             |
| Maximum Working Voltage         | 200 V                     |             |
| Maximum Overload Voltage        | 400 V                     |             |
| Dielectric Withstanding Voltage | 500 V                     |             |
| Resistance Range                | 5% (E24) 1 Ω to 22 MΩ     |             |
|                                 | 1% (E24/E96) 1 Ω to 10 MΩ |             |
|                                 | Zero Ohm Jumper < 0.05 Ω  |             |
| Temperature Coefficient         | 1 Ω ≤ R ≤ 10 Ω            | ±200 ppm/°C |
|                                 | 10 MΩ < R ≤ 22 MΩ         | ±200 ppm/°C |
|                                 | 10 Ω < R ≤ 10 MΩ          | ±100 ppm/°C |
| Jumper Criteria                 | Rated Current             | 2 A         |
|                                 | Maximum Current           | 10 A        |

**FOOTPRINT AND SOLDERING PROFILES**

For recommended footprint and soldering profiles, please see the special data sheet “Chip resistors mounting”.

**PACKING STYLE AND PACKAGING QUANTITY**

Table 3 Packing style and packaging quantity

| PRODUCT TYPE | PACKING STYLE         | REEL DIMENSION | QUANTITY PER REEL |
|--------------|-----------------------|----------------|-------------------|
| RC1206       | Paper Taping Reel (R) | 7" (178 mm)    | 5,000 units       |
|              |                       | 10" (254 mm)   | 10,000 units      |
|              |                       | 13" (330 mm)   | 20,000 units      |

**NOTE**

1. For paper tape and reel specification/dimensions, please see the special data sheet “Chip resistors packing”

**FUNCTIONAL DESCRIPTION**

**POWER RATING**

RC1206 rated power at 70°C is 1/4 W

**RATED VOLTAGE**

The DC or AC (rms) continuous working voltage corresponding to the rated power is determined by the following formula:

$$V = \sqrt{P \times R}$$

or max. working voltage whichever is less

Where

$$V = \text{Continuous rated DC or AC (rms) working voltage (V)}$$

$$P = \text{Rated power (W)}$$

$$R = \text{Resistance value (}\Omega\text{)}$$

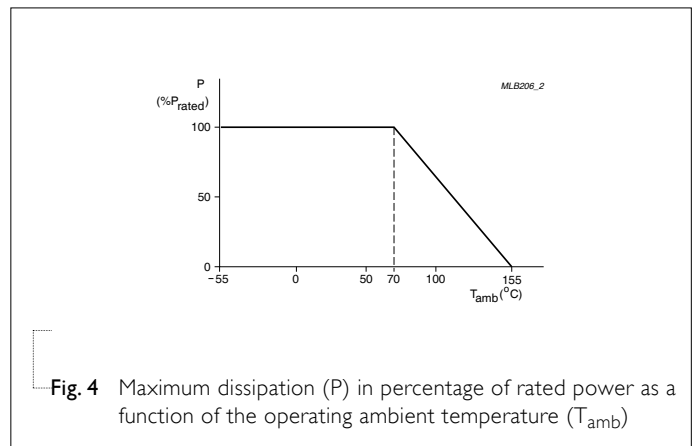


Fig. 4 Maximum dissipation (P) in percentage of rated power as a function of the operating ambient temperature (T<sub>amb</sub>)

**TESTS AND REQUIREMENTS**

**Table 4** Test condition, procedure and requirements

| TEST  | TEST METHOD              | PROCEDURE   | REQUIREMENTS   |
|---|--------------------------|---|--|
| Temperature Coefficient of Resistance (T.C.R.)                    | IEC 60115-1 4.8          | At +25/-55 °C and +25/+125 °C<br><br><b>Formula:</b><br>$T.C.R = \frac{R_2 - R_1}{R_1(t_2 - t_1)} \times 10^6 \text{ (ppm/°C)}$<br><br>Where<br>t <sub>1</sub> =+25 °C or specified room temperature<br>t <sub>2</sub> =-55 °C or +125 °C test temperature<br>R <sub>1</sub> =resistance at reference temperature in ohms<br>R <sub>2</sub> =resistance at test temperature in ohms | Refer to table 2   |
| Life/Endurance  | IEC 60115-1 4.25.1       | At 70±5 °C for 1,000 hours, RCWV applied for 1.5 hours on, 0.5 hour off, still air required   | ±(1.0%+0.05 Ω) for 1% tol.<br>±(3.0%+0.05 Ω) for 5% tol.<br><100 mΩ for Jumper                     |
| High Temperature Exposure/Endurance at Upper Category Temperature | IEC 60068-2-2            | 1,000 hours at 155±5 °C, unpowered  | ±(1.0%+0.05 Ω) for 1% tol.<br>±(2.0%+0.05 Ω) for 5% tol.<br><50 mΩ for Jumper                      |
| Moisture Resistance   | MIL-STD-202G Method-106G | Each temperature / humidity cycle is defined at 8 hours, 3 cycles / 24 hours for 10d. with 25 °C / 65 °C 95% R.H, without steps 7a & 7b, unpowered<br><br>Parts mounted on test-boards, without condensation on parts<br><br>Measurement at 24±2 hours after test conclusion  | ±(0.5%+0.05 Ω) for 1% tol.<br>±(2.0%+0.05 Ω) for 5% tol.<br><100 mΩ for Jumper                     |
| Thermal Shock   | MIL-STD-202G Method-107G | -55/+125 °C<br><br>Number of cycles required is 300. Devices unmounted<br><br>Maximum transfer time is 20 seconds. Dwell time is 15 minutes. Air – Air  | ±(0.5%+0.05 Ω) for 1% tol.<br>±(1%+0.05 Ω) for 5% tol.<br><50 mΩ for Jumper                        |
| Short Time Overload   | IEC60115-1 4.13          | 2.5 times of rated voltage or maximum overload voltage whichever is less for 5 sec at room temperature  | ±(1.0%+0.05 Ω) for 1% tol.<br>±(2.0%+0.05 Ω) for 5% tol.<br><50 mΩ for Jumper<br>No visible damage |

| TEST                               | TEST METHOD          | PROCEDURE   | REQUIREMENTS  |                 |       |           |       |                  |       |                  |       |                    |       |                   |       |                  |       |
|------------------------------------|----------------------|---|---|-----------------|-------|-----------|-------|------------------|-------|------------------|-------|--------------------|-------|-------------------|-------|------------------|-------|
| Board Flex/<br>Bending             | IEC 60068-2-21       | Chips mounted on a 90mm glass epoxy resin PCB (FR4)<br>2 mm bending<br>Bending time: 60±5 seconds   | ±(1.0%+0.05 Ω) for 1%, 5% tol.<br><50 mΩ for Jumper<br>No visible damage  |                 |       |           |       |                  |       |                  |       |                    |       |                   |       |                  |       |
| Low<br>Temperature<br>Operation    | IEC 60068-2-1        | The resistor shall be subjected to a DC rated voltage for 1.5 h-on, 0.5 h-off, at -55±3 °C<br>This constitutes shall be repeated for 96 hours<br>However the applied voltage shall not exceed the maximum operating voltage | ±(0.5%+0.05 Ω) for 1% tol.<br>±(1.0%+0.05 Ω) for 5% tol.<br>No visible damage   |                 |       |           |       |                  |       |                  |       |                    |       |                   |       |                  |       |
| Insulation<br>Resistance           | IEC 60115-1 4.6      | Rated continuous overload voltage (RCOV) for 1 minute<br><br><u>Type</u> <b>RC1206</b><br><u>Voltage (DC)</u> 100 V   | ≥10 GΩ  |                 |       |           |       |                  |       |                  |       |                    |       |                   |       |                  |       |
| Dielectric<br>Withstand<br>Voltage | IEC 60115-1 4.7      | Maximum voltage (V <sub>rms</sub> ) applied for 1 minute<br><br><u>Type</u> <b>RC1206</b><br><u>Voltage (AC)</u> 500 V <sub>rms</sub>   | No breakdown or flashover   |                 |       |           |       |                  |       |                  |       |                    |       |                   |       |                  |       |
| Resistance to<br>Solvent           | IPC/JEDEC J-STD-020D | Isopropylalcohol (C <sub>3</sub> H <sub>7</sub> OH) followed by brushing  | No smeared  |                 |       |           |       |                  |       |                  |       |                    |       |                   |       |                  |       |
| Noise                              | IEC 60115-1 4.12     | Maximum voltage (V <sub>rms</sub> ) applied   | <table border="1"> <thead> <tr> <th>Resistors range</th> <th>Value</th> </tr> </thead> <tbody> <tr> <td>R &lt; 100 Ω</td> <td>10 dB</td> </tr> <tr> <td>100 Ω ≤ R &lt; 1 KΩ</td> <td>20 dB</td> </tr> <tr> <td>1 KΩ ≤ R &lt; 10 KΩ</td> <td>30 dB</td> </tr> <tr> <td>10 KΩ ≤ R &lt; 100 KΩ</td> <td>40 dB</td> </tr> <tr> <td>100 KΩ ≤ R &lt; 1 MΩ</td> <td>46 dB</td> </tr> <tr> <td>1 MΩ ≤ R ≤ 22 MΩ</td> <td>48 dB</td> </tr> </tbody> </table> | Resistors range | Value | R < 100 Ω | 10 dB | 100 Ω ≤ R < 1 KΩ | 20 dB | 1 KΩ ≤ R < 10 KΩ | 30 dB | 10 KΩ ≤ R < 100 KΩ | 40 dB | 100 KΩ ≤ R < 1 MΩ | 46 dB | 1 MΩ ≤ R ≤ 22 MΩ | 48 dB |
| Resistors range                    | Value                |   |   |                 |       |           |       |                  |       |                  |       |                    |       |                   |       |                  |       |
| R < 100 Ω                          | 10 dB                |   |   |                 |       |           |       |                  |       |                  |       |                    |       |                   |       |                  |       |
| 100 Ω ≤ R < 1 KΩ                   | 20 dB                |   |   |                 |       |           |       |                  |       |                  |       |                    |       |                   |       |                  |       |
| 1 KΩ ≤ R < 10 KΩ                   | 30 dB                |   |   |                 |       |           |       |                  |       |                  |       |                    |       |                   |       |                  |       |
| 10 KΩ ≤ R < 100 KΩ                 | 40 dB                |   |   |                 |       |           |       |                  |       |                  |       |                    |       |                   |       |                  |       |
| 100 KΩ ≤ R < 1 MΩ                  | 46 dB                |   |   |                 |       |           |       |                  |       |                  |       |                    |       |                   |       |                  |       |
| 1 MΩ ≤ R ≤ 22 MΩ                   | 48 dB                |   |   |                 |       |           |       |                  |       |                  |       |                    |       |                   |       |                  |       |
| Biased Humidity<br>(steady state)  | IEC 60115-1 4.37     | Steady state for 1000 hours at 40 °C / 95% R.H.<br>RCWV applied for 1.5 hours on and 0.5 hour off   | ±(1.0%+0.05 Ω) for 1% tol.<br>±(2.0%+0.05 Ω) for 5% tol.<br><100 mΩ for Jumper  |                 |       |           |       |                  |       |                  |       |                    |       |                   |       |                  |       |



| TEST                              | TEST METHOD                 | PROCEDURE   | REQUIREMENTS   |
|-----------------------------------|-----------------------------|---|--|
| <b>Intermittent Overload</b>      | IEC 60115-1 4.39            | 2.5 times of rated voltage or maximum overload voltage whichever is less for 1 second on and 25 seconds off; total 10,000 cycles  | ±(1.0%+0.05 Ω) for 1% tol.<br>±(2.0%+0.05 Ω) for 5% tol.<br><100 mΩ for Jumper                     |
| <b>Solderability</b><br>- Wetting | IPC/JEDEC J-STD-002B test B | Electrical Test not required<br>Magnification 50X<br>SMD conditions:<br>1 <sup>st</sup> step: method B, aging 4 hours at 155 °C dry heat<br>2 <sup>nd</sup> step: leadfree solder bath at 245±3 °C<br>Dipping time: 3±0.5 seconds | Well tinned (≥95% covered)<br>No visible damage  |
| - Leaching                        | IPC/JEDEC J-STD-002B test D | Leadfree solder, 260 °C, 30 seconds immersion time  | No visible damage  |
| - Resistance to Soldering Heat    | IEC 60068-2-58              | Condition B, no pre-heat of samples<br>Leadfree solder, 260 °C, 10 seconds immersion time<br>Procedure 2 for SMD: devices fluxed and cleaned with isopropanol   | ±(0.5%+0.05 Ω) for 1% tol.<br>±(1.0%+0.05 Ω) for 5% tol.<br><50 mΩ for Jumper<br>No visible damage |

REVISION HISTORY

| REVISION  | DATE         | CHANGE NOTIFICATION | DESCRIPTION  |
|-----------|--------------|---------------------|--|
| Version 4 | Jul 02, 2009 | -                   | <ul style="list-style-type: none"> <li>- Test Items and methods updated</li> <li>- Test requirements upgraded</li> </ul>   |
| Version 3 | Jul 15, 2008 | -                   | <ul style="list-style-type: none"> <li>- Change to dual brand datasheet that describe RC1206 with RoHS compliant</li> <li>- Description of "Halogen Free Epoxy" added</li> <li>- Define global part number</li> </ul>  |
| Version 2 | Sep 03, 2004 | -                   | <ul style="list-style-type: none"> <li>- New datasheet for 1206 thick film 1% and 5% with lead-free terminations</li> <li>- Replace the 1206 part of pdf files: RC01_11_21_31_5, RC02_12_22_32_10, and HRC01_5_4</li> <li>- Test method and procedure updated</li> <li>- PE tape added (paper tape will be replaced by PE tape)</li> <li>- High ohmic products combined into standard products.</li> </ul> |

*“ Yageo reserves all the rights for revising the content of this datasheet without further notification, as long as the products itself are unchanged. Any product change will be announced by PCN.”*