



**HESTORE.HU**

elektronikai alkatrész áruház

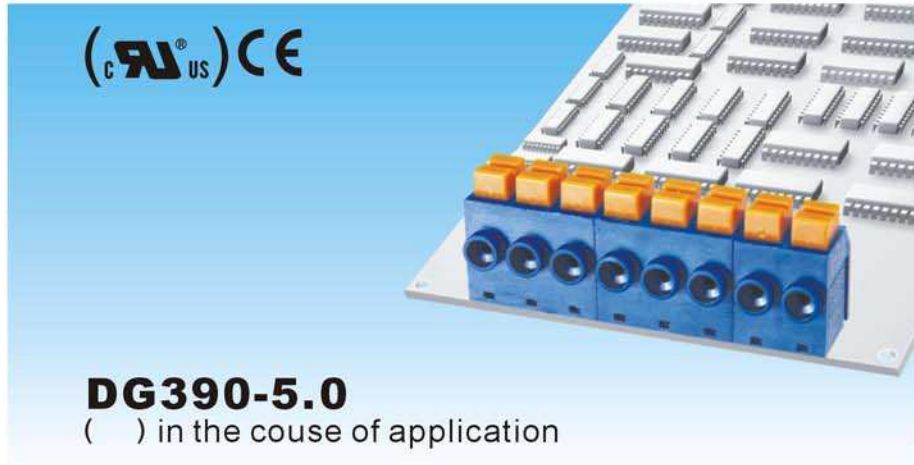
**EN:** This Datasheet is presented by the manufacturer.

Please visit our website for pricing and availability at [www.hestore.hu](http://www.hestore.hu).

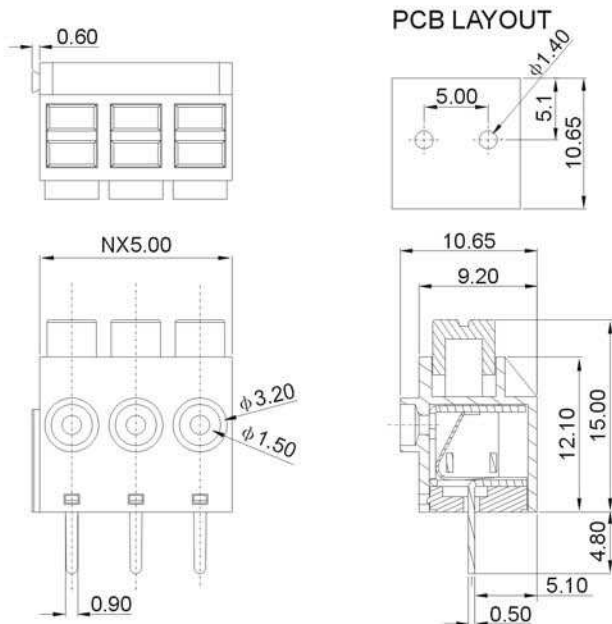


# DEGSON ELECTRONICS CO., LTD.

## Product Specification



Material	
Wire guard:	Stainless steel
Pin header:	Brass, Tin plated
Housing :	PBT, UL94V-0
Electrical	
Rated voltage :	300V
Rated current :	8A
Contact resistance :	20mΩ
Insulation resistance :	5000MΩ /DC1000V
Withstanding voltage:	AC2000V/1Min
Wire range :	22-18AWG 1.0mm <sup>2</sup>
Mechanical	
Temp. Range :	-30°C~+120°C
Strip length :	7-7.5mm



### HOW TO ORDER:

**DG390-5.0** -   **P** -   - 

X	X	X
---	---	---

  
Customer Request

**Series No.**      **No of Pole**      **Color**

1 Gray	4 Green	7 Trans-parent
2 Blue	5 Orange	8 Yellow
3 Black	6 Red	9 White

	<b>DEGSON ELECTRONICS CO., LTD.</b>
	NAME <b>DG390-5.0</b>