



HESTORE.HU

elektronikai alkatrész áruház

EN: This Datasheet is presented by the manufacturer.

Please visit our website for pricing and availability at www.hestore.hu.

VISIBLE LIGHT PRODUCTS

(Light Emitting Diode)

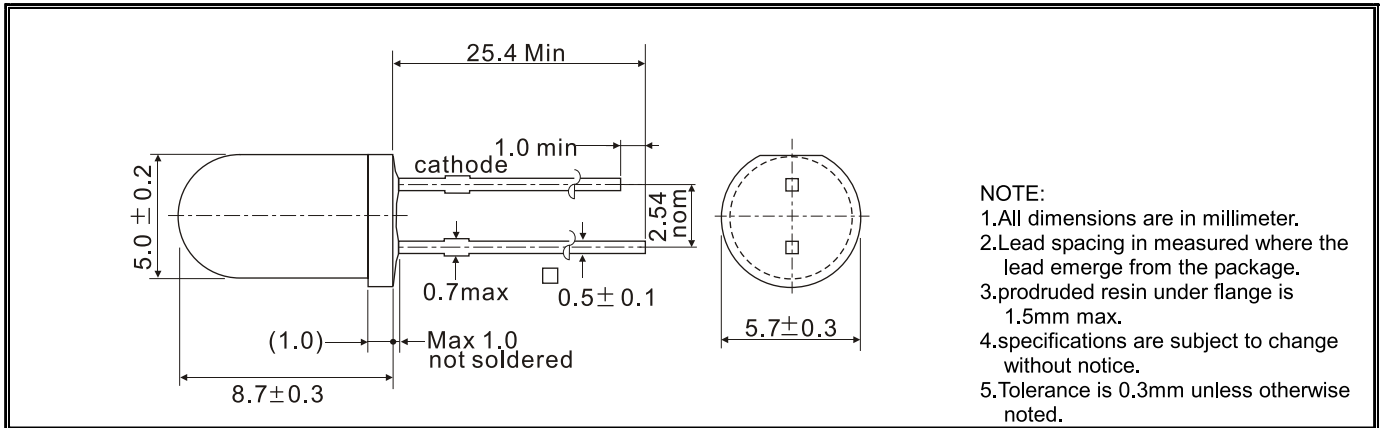
REV:B
DATE:2005/4/20

☰ DEVICE NO:HB5-134 (Yellow)

☰ LENS COLOR:

√	colored diffusion	colored transparent	white diffusion	water clear
---	-------------------	---------------------	-----------------	-------------

☰ PACKAGE DIMENSIONS:



☰ ABSOLUTE MAXIMUM RATINGS:

Material:GaAsP/GaP

TA=25°C

PARAMETER	SYMBOL	MAX. RATING	UNIT
Power Dissipation	Pd	90	mW
Continuous Forward Voltage	VF	25	mA
Peak Forward Current *1	IFM	50	mA
Reverse Voltage	VR	5	V
LED Junction Temperature	Tj	100	°C
Operating Temperature	Topr	-25 ~ +85	°C
Storage Temperature	Tstg	-40 ~ +100	°C
Lead Soldering Temperature (1.6mm from case Bottom 260 °C for 5 seconds)			

☰ ELECTRIC-OPTICAL CHARACTERISTICS:

TA=25°C

PARAMETER	SYMBOL	TEST CONDITION	MIN	TYP	MAX	UNIT
View Angle of Half Power	2θ1/2	IF=20mA		30		Degree
Forward Voltage	VF	IF=20mA		2.10	2.80	V
Reverse Current	IR	VR=5V			10	uA
Luminous Intensity *2	IV	IF=20mA	35	50		mcd
Peak Emission Wavelength	λp	IF=20mA		589		nm
Dominate Wave Length *3	λd(HUE)	IF=20mA		585		nm
Spectrum Width of Half Valve	Δλ	IF=20mA		35		nm
Terminal Capaciance	Ct	V=0V F=1MHz		7		pF
Response Frequency	Fc	-----		4		MHz

*1.Duty Ratio=1/10,Pulse Width=0.1ms.

*2.Tolerance:30% HUEY-JANN measuring equipment :1.EXELTRON 2001. 2.S370 made by U.D.T.

*3.The dominate wavelength, λd, is derived from the CIE Chromaticity Diagram and represents the color of the device.

HUEY JANN ELECTRONICS INDUSTRY CO., LTD.