



HESTORE.HU

elektronikai alkatrész áruház

EN: This Datasheet is presented by the manufacturer.

Please visit our website for pricing and availability at www.hestore.hu.

LORLIN Rotary Switches

MT SUBMINIATURE ROTARY SWITCH

Features:

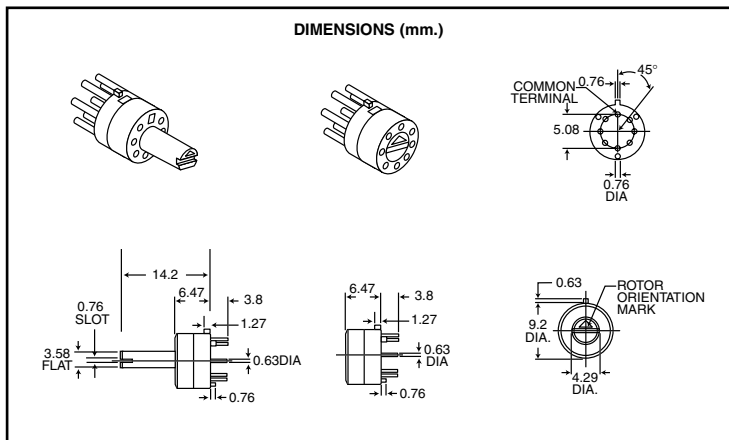
- Moulded 9.2mm diameter TO-5 rotary switch
- 45° indexing, positive action
- 1 pole up to 7 break-before make positions + off
- 6.4 mm mounted height above printed circuit board
- Screwdriver operating slot flush with top of housing
- Also available with 7.75mm long x 3.58mm diameter spindle with full length flat and screwdriver slot

Specifications:

- Current & voltage ratings: 10 milliamps 1 volt, 500 milliamps 125, VAC resistive load
- Breakdown voltage: 500 V 60 Hz
- Contact resistance: 500 milliamps, 50 milliohms max initial. 100 milliohms max after operating life
- Insulation resistance: 50,000 megohms min at 100 volts
- Life: 2500 cycles
- Common ring terminal: Phosphor bronze, hard gold plate over nickel plate
- Selected terminals: Copper alloy, hard gold plate over nickel plate

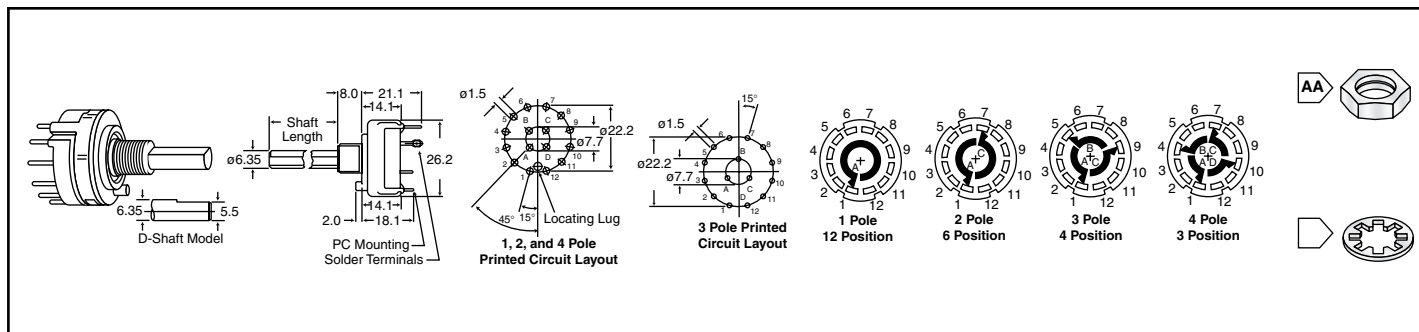
*Off in extreme anti-clockwise position

MOUSER STOCK NO.		Travel	Positions
Flush Slot	Spindle		
10MT111	10MT211	360°	8
10MT118	10MT218	315°	8
10MT117	10MT217	270°	7
10MT116	10MT216	225°	6
10MT115	10MT215	180°	5
10MT114	10MT214	135°	4
10MT113	10MT213	90°	3
10MT112	10MT212	45°	2



FULLY ENCLOSED ADJUSTABLE ROTARY SWITCHES

DIMENSIONS (mm.)



Features:

- Fully enclosed contacts
- Glass filled nylon
- Nylon design provides maximum shock hazard protection.

Specifications:

- Working voltage: 250VAC or 250VDC max.
- Breakdown voltage: 1000Vrms
- Contact resistance: less than 50mΩ max.
- Index angle: 30°
- Contact life: over 10,000 operations
- Contact rating: .15A @ 250VAC or DC
- Contact material: silver plated brass

Shorting 6.35mm (1/4") Round Shaft

(Make-Before-Break)

MOUSER STOCK NO.	Poles	Positions (User Selectable)	Shaft Length (In.)	Shaft Length (mm.)
Solder Terminals				
105-13571	1	2 - 12	3/8	9.5
105-13572	2	2 - 6	3/8	9.5
105-13573	3	2 - 4	3/8	9.5
105-13574	4	2 - 3	3/8	9.5

Non-Shorting 6.35mm (1/4") D-Shaft

(Break-Before-Make)

MOUSER STOCK NO.	Poles	Positions (User Selectable)	Shaft Length (In.)	Shaft Length (mm.)
Solder Terminals				
10WA124	1	2 - 12	1 3/16	30.0
10WA125	2	2 - 6	1 3/16	30.0
10WA126	3	2 - 4	1 3/16	30.0
10WA127	4	2 - 3	1 3/16	30.0
10WA164	1	2 - 12	1/2	12.7
10WA165	2	2 - 6	1/2	12.7
10WA166	3	2 - 4	1/2	12.7
10WA167	4	2 - 3	1/2	12.7
10WA154	1	2 - 12	3/8	9.5
10WA155	2	2 - 6	3/8	9.5
10WA156	3	2 - 4	3/8	9.5
10WA157	4	2 - 3	3/8	9.5
PC Terminals				
10WA144	1	2 - 12	1 3/16	30.0
10WA145	2	2 - 6	1 3/16	30.0
10WA146	3	2 - 4	1 3/16	30.0
10WA147	4	2 - 3	1 3/16	30.0
10WA134	1	2 - 12	1/2	12.7
10WA135	2	2 - 6	1/2	12.7
10WA136	3	2 - 4	1/2	12.7
10WA137	4	2 - 3	1/2	12.7
10WA174	1	2 - 12	3/8	9.5
10WA175	2	2 - 6	3/8	9.5
10WA176	3	2 - 4	3/8	9.5
10WA177	4	2 - 3	3/8	9.5

Non-Shorting 6.35mm (1/4") Round Shaft

(Break-Before-Make)

MOUSER STOCK NO.	Poles	Positions (User Selectable)	Shaft Length (In.)	Shaft Length (mm.)
Solder Terminals				
105-14571	1	2 - 12	3/8	9.5
105-14572	2	2 - 6	3/8	9.5
105-14573	3	2 - 4	3/8	9.5
105-14574	4	2 - 3	3/8	9.5
PC Terminals				
105-2454	1	2 - 12	3/8	9.5
105-2455	2	2 - 6	3/8	9.5
105-2456	3	2 - 4	3/8	9.5
105-2457	4	2 - 3	3/8	9.5

CONTINUOUS ROTATION

Non-Shorting 6.35mm (1/4") D-Shaft

(Break-Before-Make)

MOUSER STOCK NO.	Poles	Positions (User Selectable)	Shaft Length (In.)	Shaft Length (mm.)
Solder Terminals				
10WC204	1	12	3/8	9.5
10WC205	2	6	3/8	9.5
10WC224	1	12	1/2	12.7
10WC225	2	6	1/2	12.7
10WC244	1	12	1 3/16	30.0
10WC245	2	6	1 3/16	30.0
PC Terminals				
10WC404	1	12	3/8	9.5
10WC405	2	6	3/8	9.5
10WC444	1	12	1 3/16	30.0
10WC445	2	6	1 3/16	30.0

REPLACEMENT HARDWARE

MOUSER STOCK NO.	Fig.	Size (mm)	Price Each	
			100	1000
481-0095	AA	M9.5 x .75	.24	.21
481-0680	BB	10	.056	.050

Shorting 6.35mm (1/4") D-Shaft (Make-Before-Break)

MOUSER STOCK NO.	Poles	Positions (User Selectable)	Shaft Length (In.)	Shaft Length (mm.)
Solder Terminals				
10WA324	1	2 - 12	1 3/16	30.0
10WA325	2	2 - 6	1 3/16	30.0
10WA326	3	2 - 4	1 3/16	30.0
10WA327	4	2 - 3	1 3/16	30.0
10WA364	1	2 - 12	1/2	12.7
10WA365	2	2 - 6	1/2	12.7
10WA366	3	2 - 4	1/2	12.7
10WA367	4	2 - 3	1/2	12.7
10WA354	1	2 - 12	3/8	9.5
10WA355	2	2 - 6	3/8	9.5
10WA356	3	2 - 4	3/8	9.5
10WA357	4	2 - 3	3/8	9.5
PC Terminals				
10WA344	1	2 - 12	1 3/16	30.0
10WA345	2	2 - 6	1 3/16	30.0
10WA346	3	2 - 4	1 3/16	30.0
10WA347	4	2 - 3	1 3/16	30.0