



**HESTORE.HU**

elektronikai alkatrész áruház

**EN:** This Datasheet is presented by the manufacturer.

Please visit our website for pricing and availability at [www.hestore.hu](http://www.hestore.hu).

# Ninigi

## D A T A S H E E T

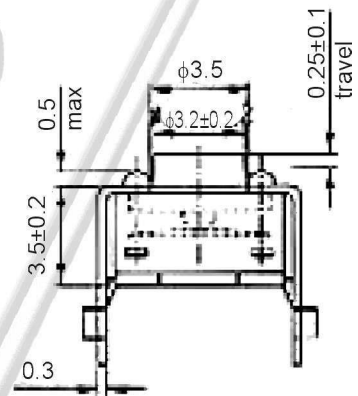
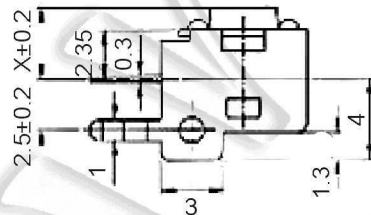
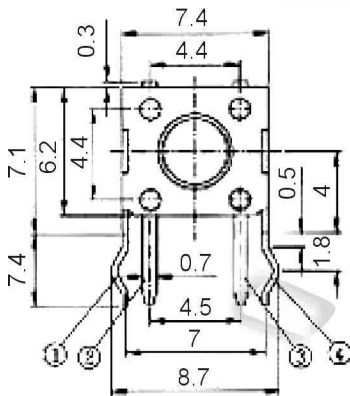


### Specification:

- 1) Rating: 12 VDC, 50 mA
- 2) Travel:  $0.25 \pm 0.1$  mm
- 3) Contact resistance: 100 m max.

### TACTA-64K

Operating force  
Button height  
Tact Switch



### OPERATING FORCE

K	100±30 gf
V	130±30 gf
N	160±50 gf
W	170±50 gf
Y	190±30 gf
R	250±100 gf

### BUTTON HEIGHT

3	X=3.15 mm
4	X=3.85 mm
5	X=5.85 mm
8	X=8.35 mm
7	X=6.85 mm
11	X=11.35 mm
6	X=6.15 mm
12	X=11.85 mm
13	X=12.5 mm

### CIRCUIT DIAGRAM

