



**HESTORE.HU**

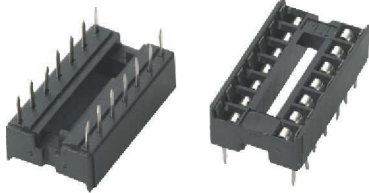
elektronikai alkatrész áruház

**EN:** This Datasheet is presented by the manufacturer.

Please visit our website for pricing and availability at [www.hestore.hu](http://www.hestore.hu).

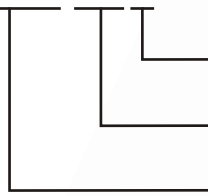
### IC'S DIL STANDARD SOCKETS 2.54 MM (0.100")

#### Specification:



- 1) Insulator: Thermoplastic (UL94V-0)
- 2) Contact: Copper Alloy
- 3) Storage Temperature: -20°C ~ 85°C
- 4) Operating Temperature: 0°C ~ 70°C
- 5) Contact Resistance: 20 mΩ max. (initial)
- 6) Insulation Resistance: 1000 MΩ min.
- 7) Dielectric Withstanding Voltage: 1000 VAC (1 minute)

#### ICVT 14P



#### Contact Plating:

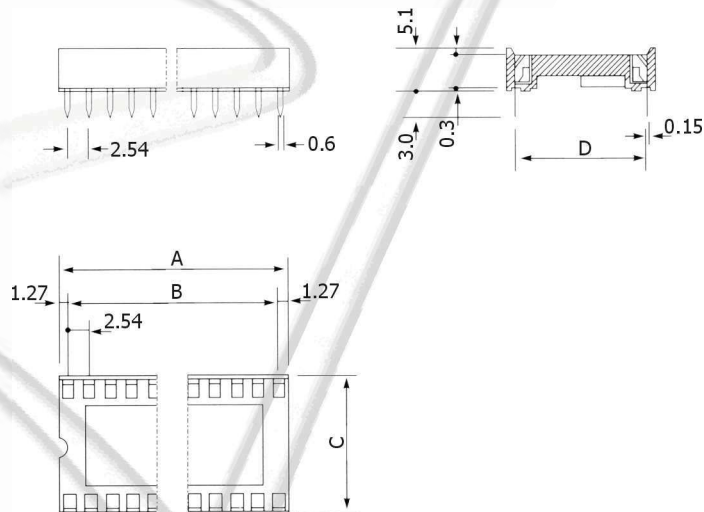
P - 100 " Phosphor Bronze

#### No. of Contacts:

N = 6; 8; 14; 16; 18; 20; 22

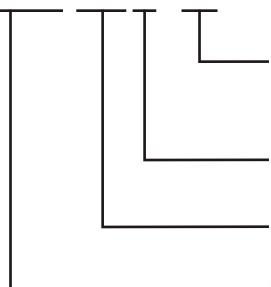
#### IC's DIL Standard Sockets

No. of Contact (N)	A	B	C	D
6	7.52	7.62	10.16	7.62
8	10.16	7.62	10.16	7.62
14	17.78	15.24	10.16	7.62
16	20.32	17.78	10.16	7.62
18	22.86	20.34	10.16	7.62
20	25.40	22.86	10.16	7.62
22	30.48	27.94	10.16	7.62



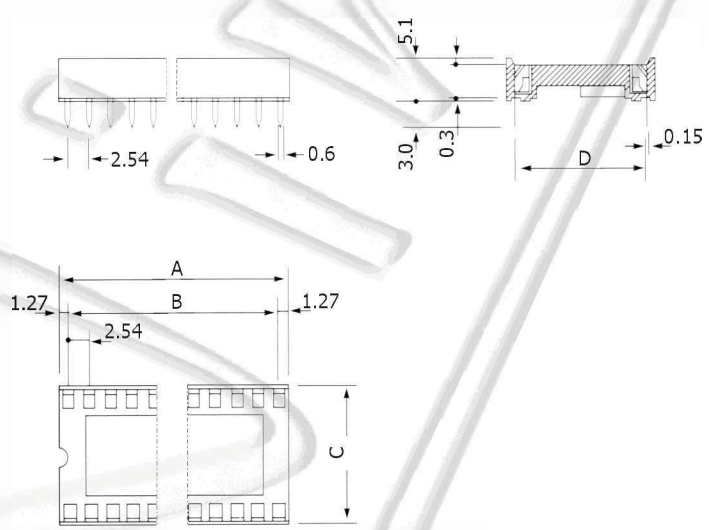
All dimensions in mm.

## ICVT 24P-W



- Width:**  
none - 15.24 mm  
W - 7.62 mm
- Contact Plating:**  
P - 100 " Phosphor Bronze
- No. of Contacts:**  
N = 24; 28; 32; 40; 42; 48
- IC's DIL Standard Sockets**

No. of Contact (N)	A	B	C	D
24-W	30.48	27.94	10.16	7.62
24	30.48	27.94	17.78	15.24
28-W	35.56	33.02	10.16	7.62
28	35.56	33.02	17.78	15.24
32	40.54	38.10	17.78	15.24
40	50.80	48.26	17.78	15.24
42	53.21	50.80	17.78	15.24
48	60.96	58.42	17.78	15.24



All dimensions in mm.