



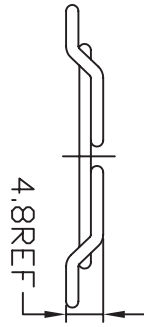
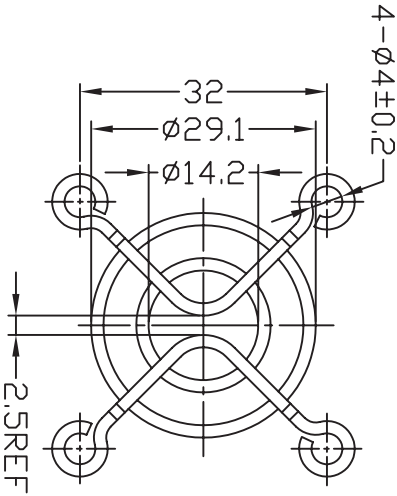
HESTORE.HU

elektronikai alkatrész áruház

EN: This Datasheet is presented by the manufacturer.

Please visit our website for pricing and availability at www.hestore.hu.

EDITION	DATE	REVISION RECORD	REVISION NO.	APPROVED



- NOTES:
1. MATERIAL: C1008 BRIGHT BASIC WIRE.
 2. FINISH: BRIGHT NICKEL CHROME. Cr3 +
 3. (1) RINGS ARE Ø 1.6mm.
 - (2) RIBS ARE Ø 1.6mm.
 4. WELD JOINTS TO WITHSTAND 88 LBS PULL FORCE.
 5. SPACING BETWEEN RINGS TO BE EQUIDISTANT 4.25mm.
 6. GENERAL TOLERANCE UNLESS NOTED: ±0.5mm.
 7. UNIT: mm.

APPROVED	CHECKED	DESIGNED	DRAWN	SCALE		MATERIAL	SEE NOTES	TITLE	FAN GUARD
				1	1				
				DRAWING DATE		FINISH	SEE NOTES	PART NO.	REV
									0